

REV	ECO	DWN	DATE
A	20082710	CDZ	01-MAY-01
-	-----	---	-----

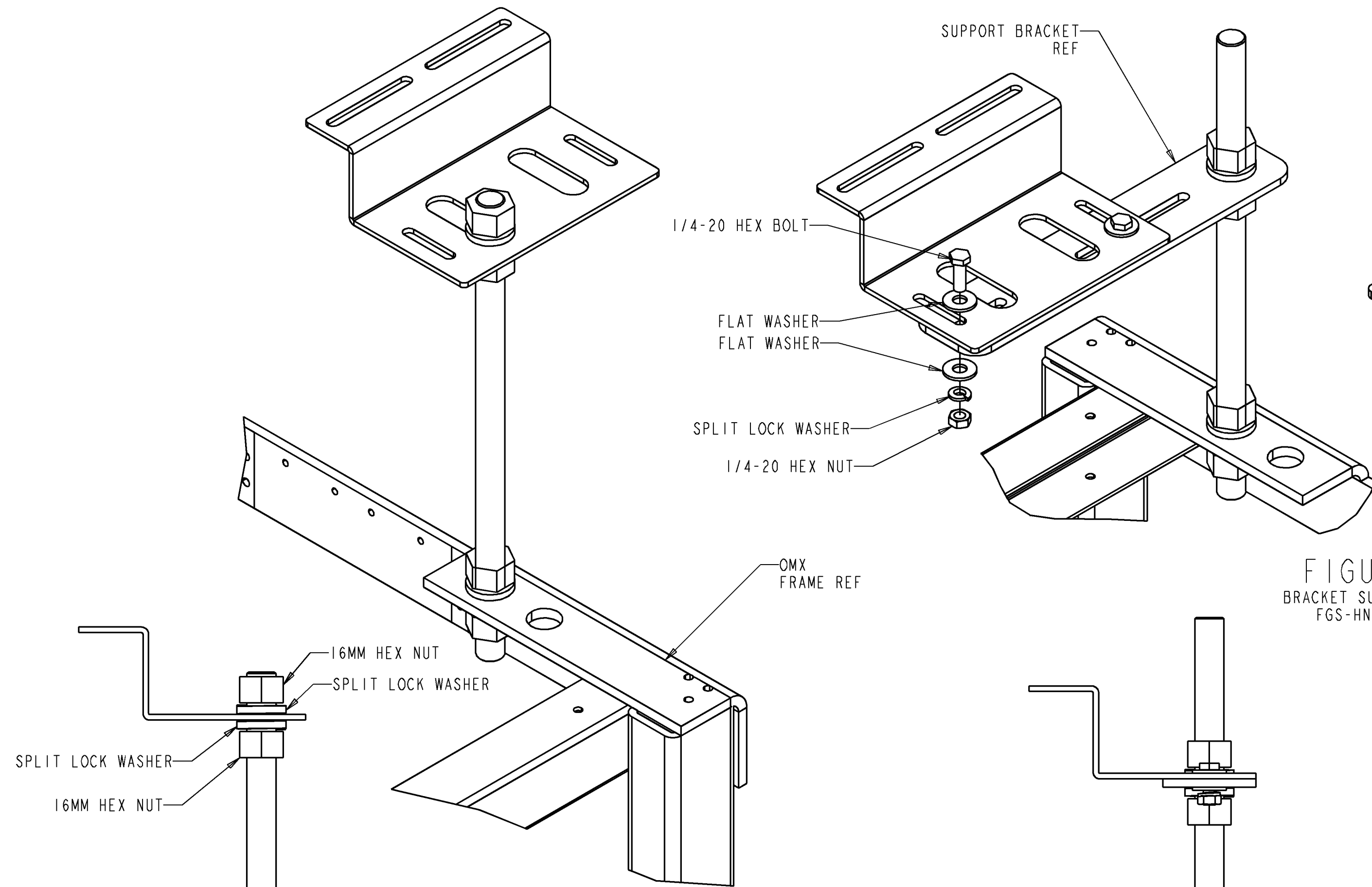


FIGURE 2  
BRACKET SUPPORTED BY  
FGS-HNTR-16MM

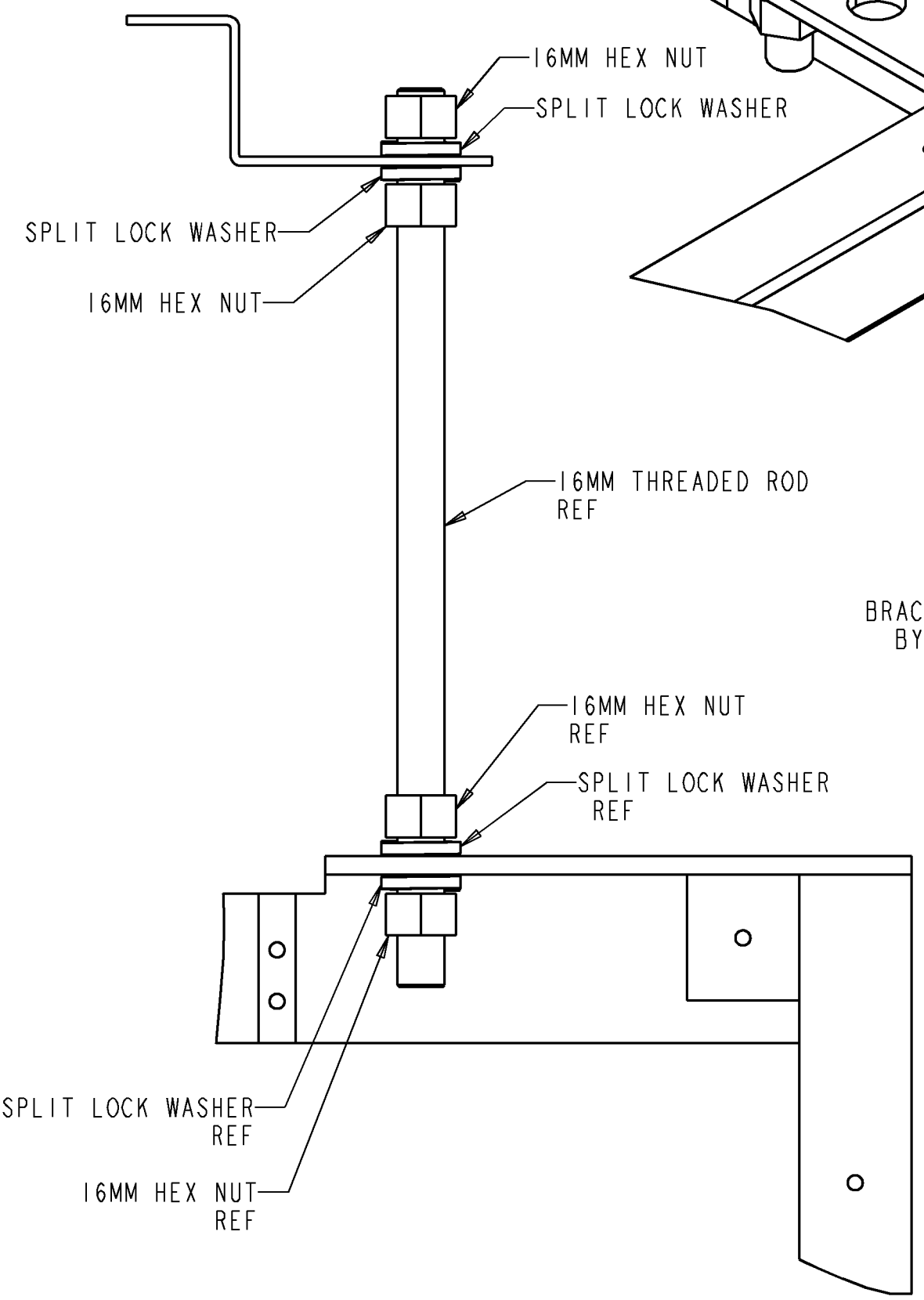
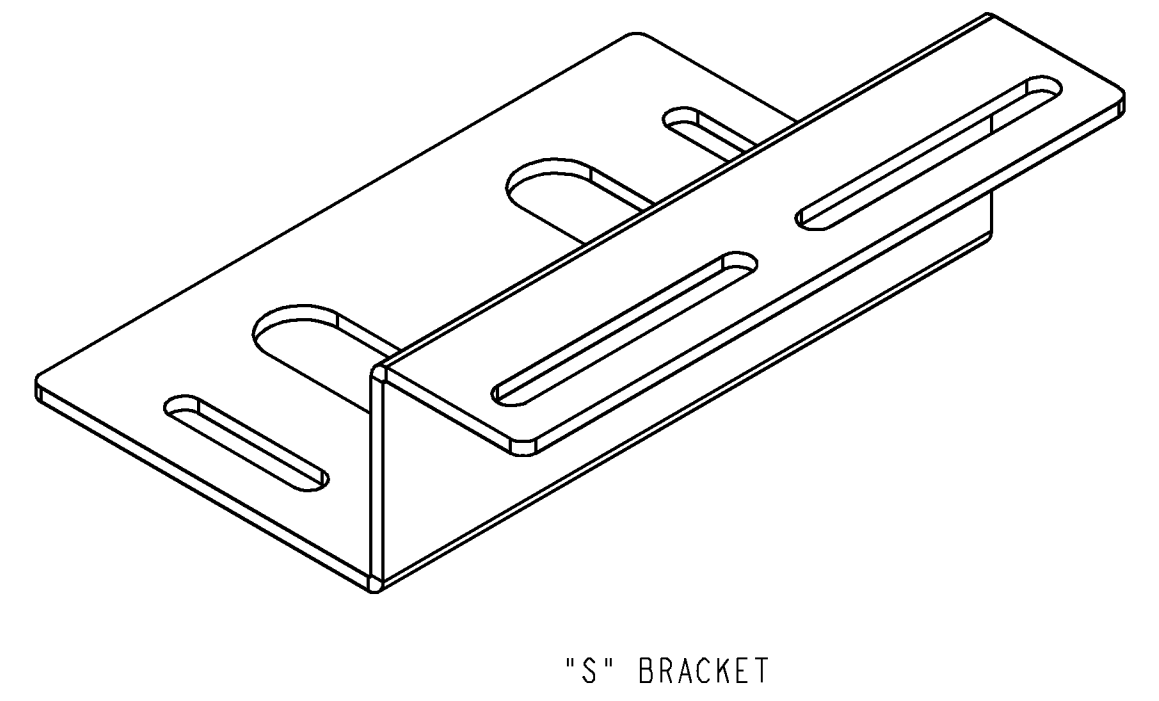


FIGURE 1  
BRACKET SUPPORTED DIRECTLY  
BY THREADED ROD (16MM)

- NOTES:
- SEE PARTS LIST FOR ITEMS INCLUDED IN KIT.
  - SEE SHEETS 2 THROUGH 5 FOR MOUNTING OPTIONS.

CATALOG #: FGS-HOMX-16MM



PARTS LIST	
DESCRIPTION	QTY
"S" BRACKET	1
16MM SPLIT-LOCK WASHER	2
16-2 HEX NUT	2
1/4-20 HEX BOLT	2
FLAT WASHER	4
SPLIT-LOCK WASHER	2
SCREW, THREAD FORM 1/4-20	2
TORX BOSS SCREW	2
QUICK-KNOB	2



INFORMATION ON THIS DOCUMENT IS PROPRIETARY TO ADC AND SHALL NOT BE USED, COPIED, REPRODUCED OR DISCLOSED IN WHOLE OR IN PART WITHOUT WRITTEN CONSENT OF ADC.		TITLE FGS / OMX SUPPORT BRACKET INSTALLATION DRW	
TOLERANCE UNLESS OTHERWISE SPECIFIED .XX:± .XXX:± ANGULAR:±	DO NOT SCALE DRAWING	ENGR: DEREK DERKS DWN: CRAIG ZELASKO	DRAWING NUMBER 1172294
THIRD ANGLE PROJECTION	SIZE C	REV A	SHT. 1 OF 5

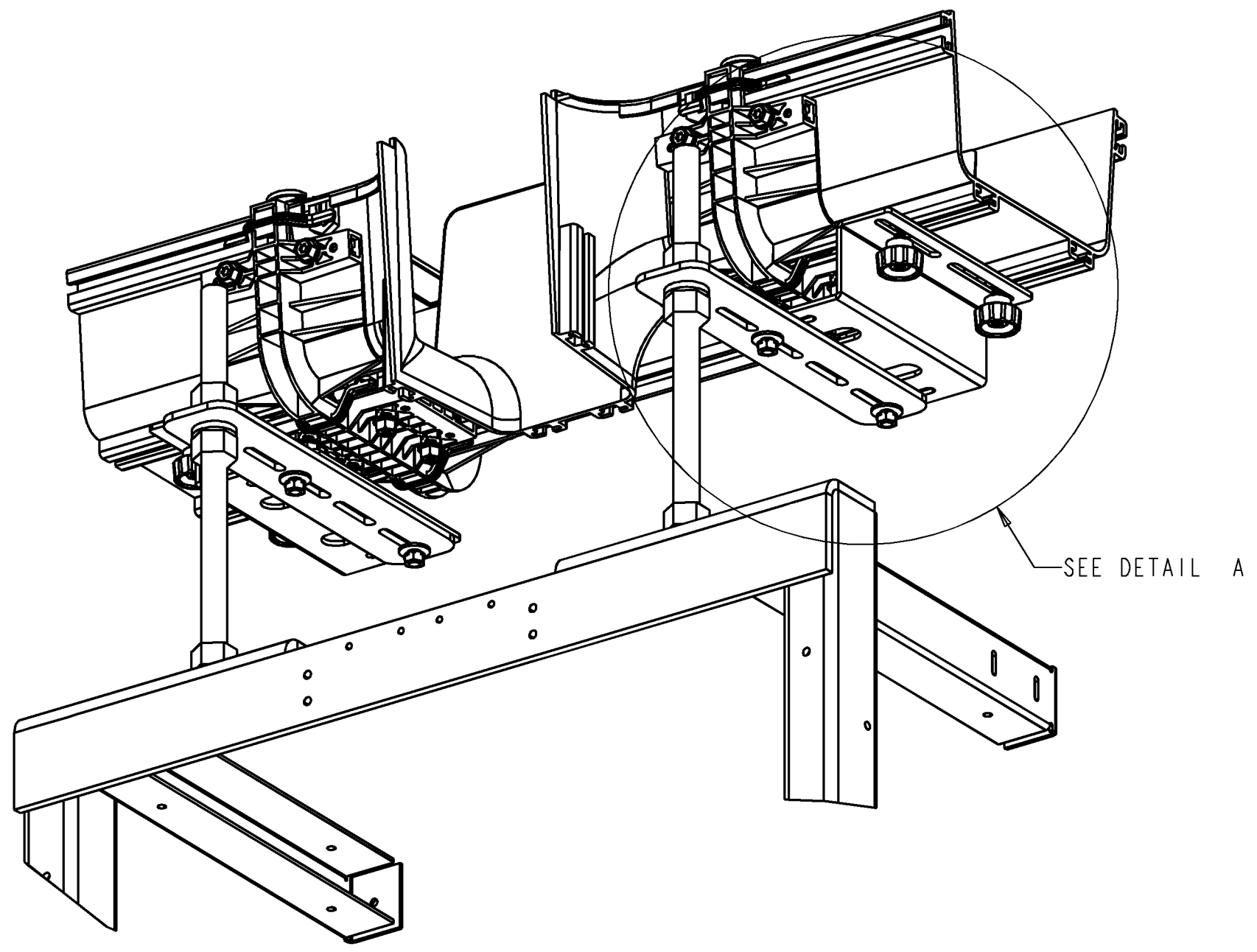
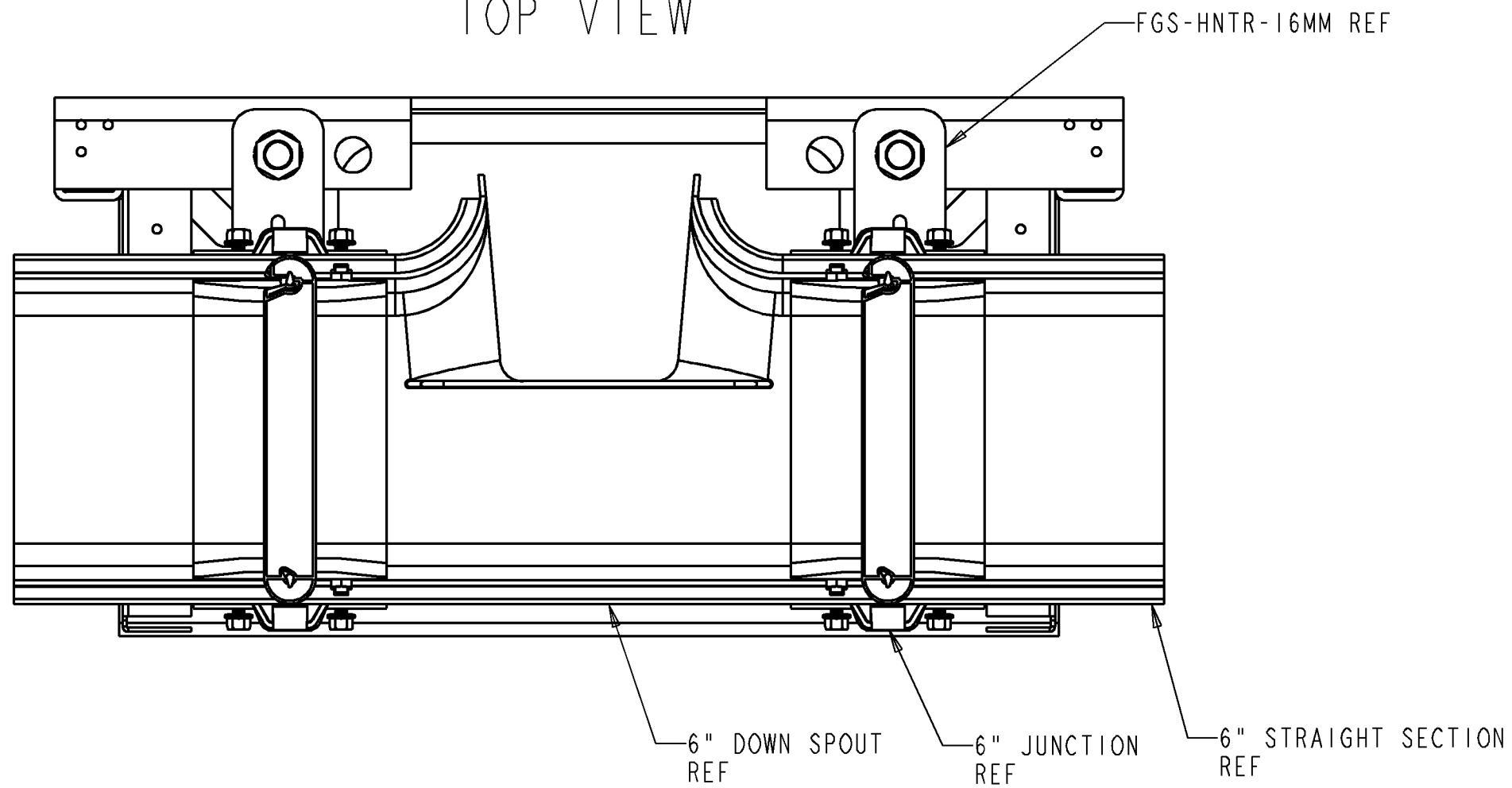
A

B

C

D

TOP VIEW



FRONT VIEW

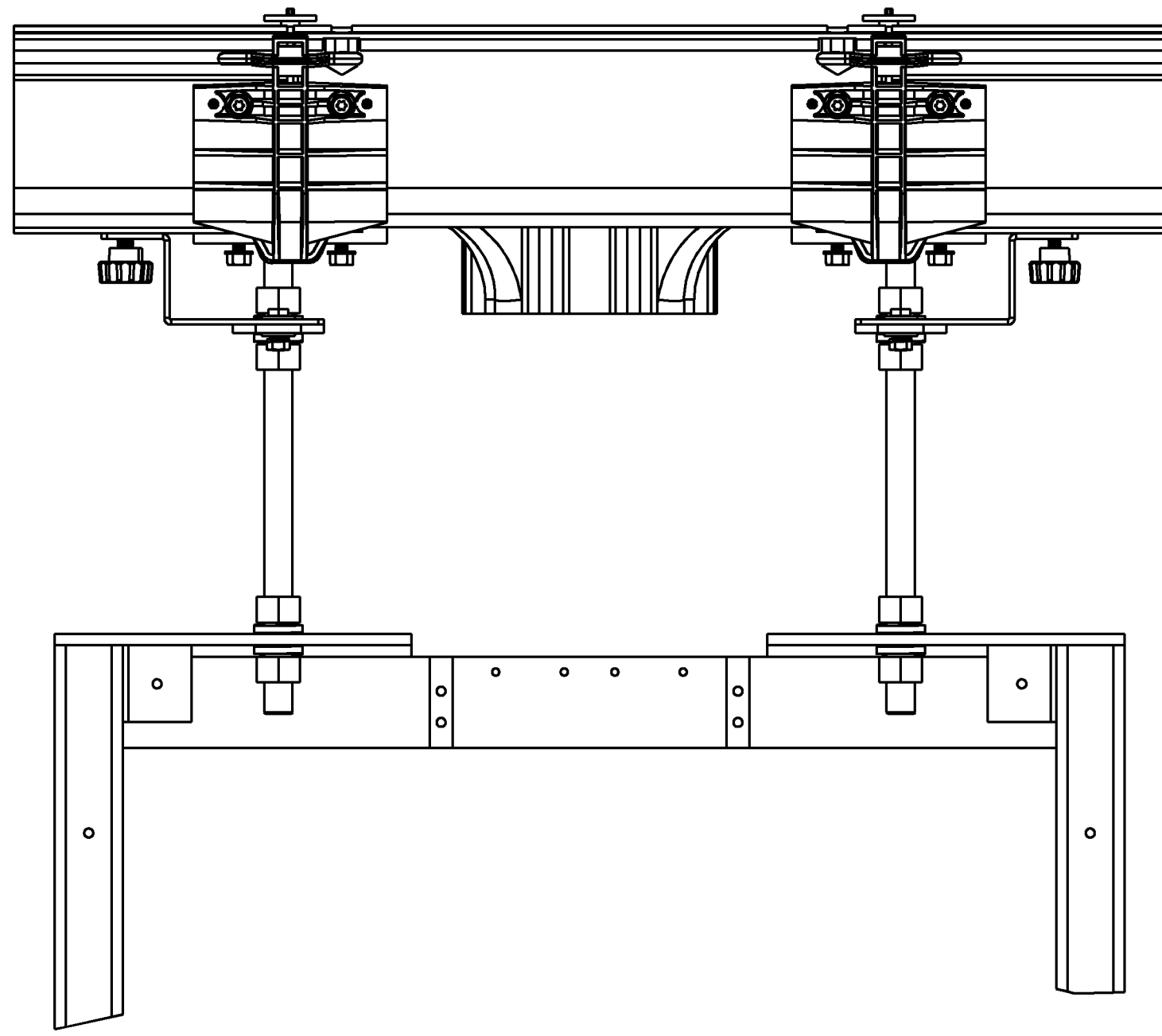
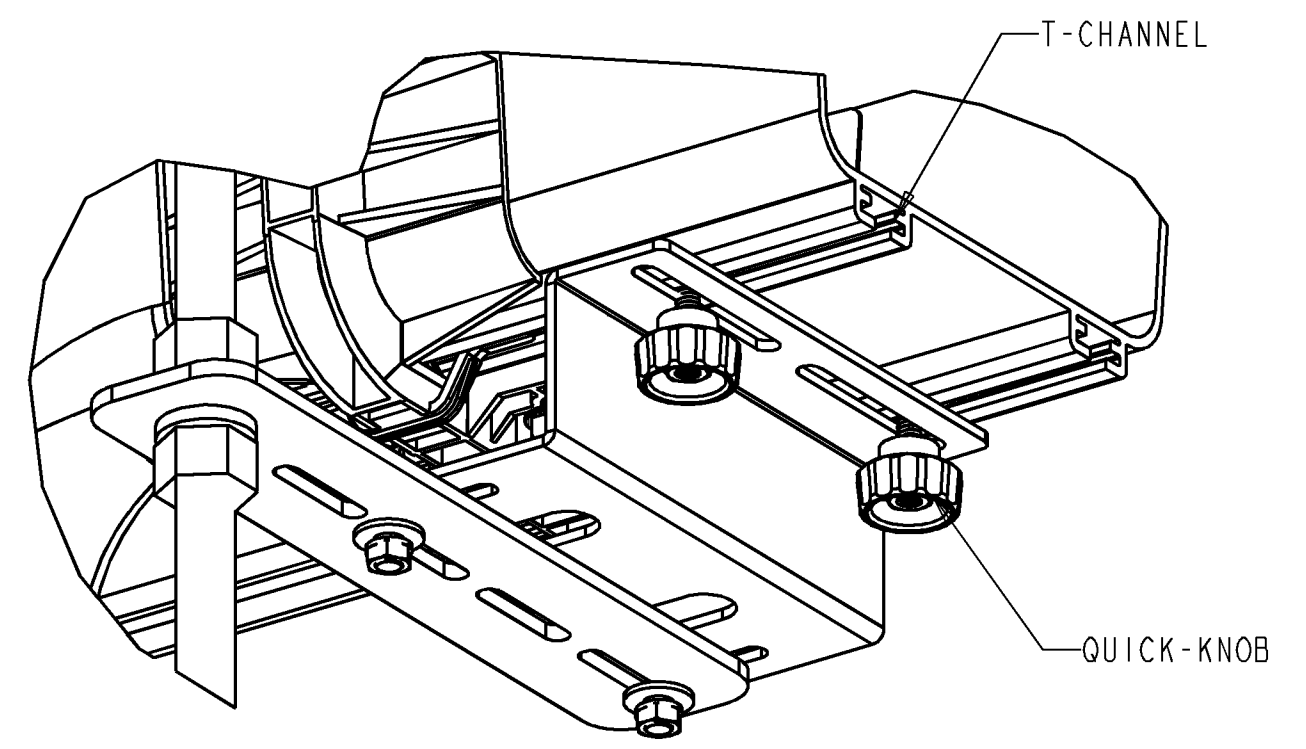


FIGURE 3  
CENTER DROP  
INTO OMX FRAME



DETAIL A  
SCALE 0.500



INFORMATION ON THIS DOCUMENT IS PROPRIETARY TO ADC AND SHALL NOT BE USED, COPIED, REPRODUCED OR DISCLOSED IN WHOLE OR IN PART WITHOUT WRITTEN CONSENT OF ADC.		TITLE FGS / OMX SUPPORT BRACKET INSTALLATION DRW	
TOLERANCE UNLESS OTHERWISE SPECIFIED .XX:± .XXX:± ANGULAR:±	C SIZE	DRAWING NUMBER 1172294	A REV
THIRD ANGLE PROJECTION 	DO NOT SCALE DRAWING	ENGR: DEREK DERKS DWN: CRAIG ZELASKO	SHT. 2 OF 5

A

B

C

D

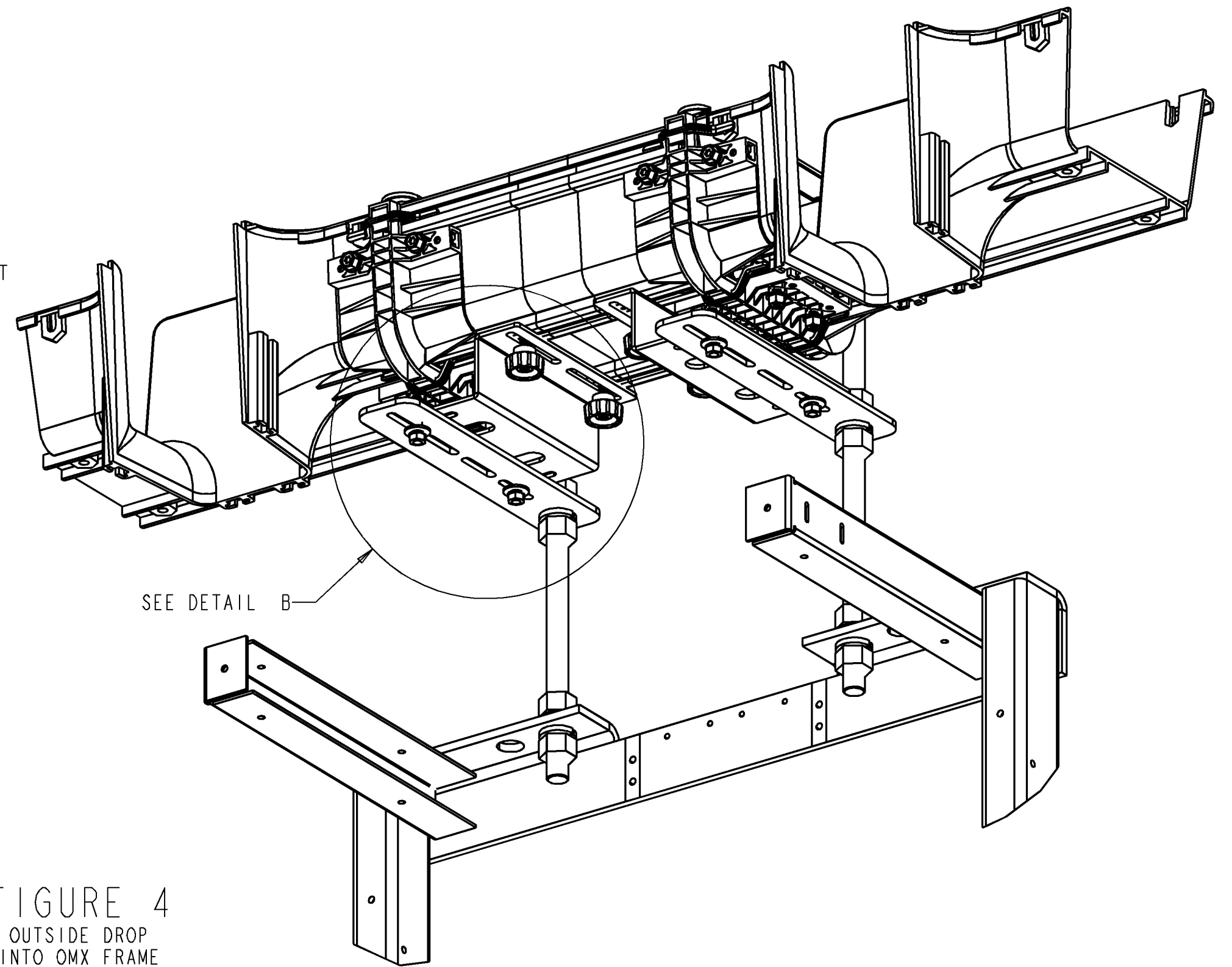
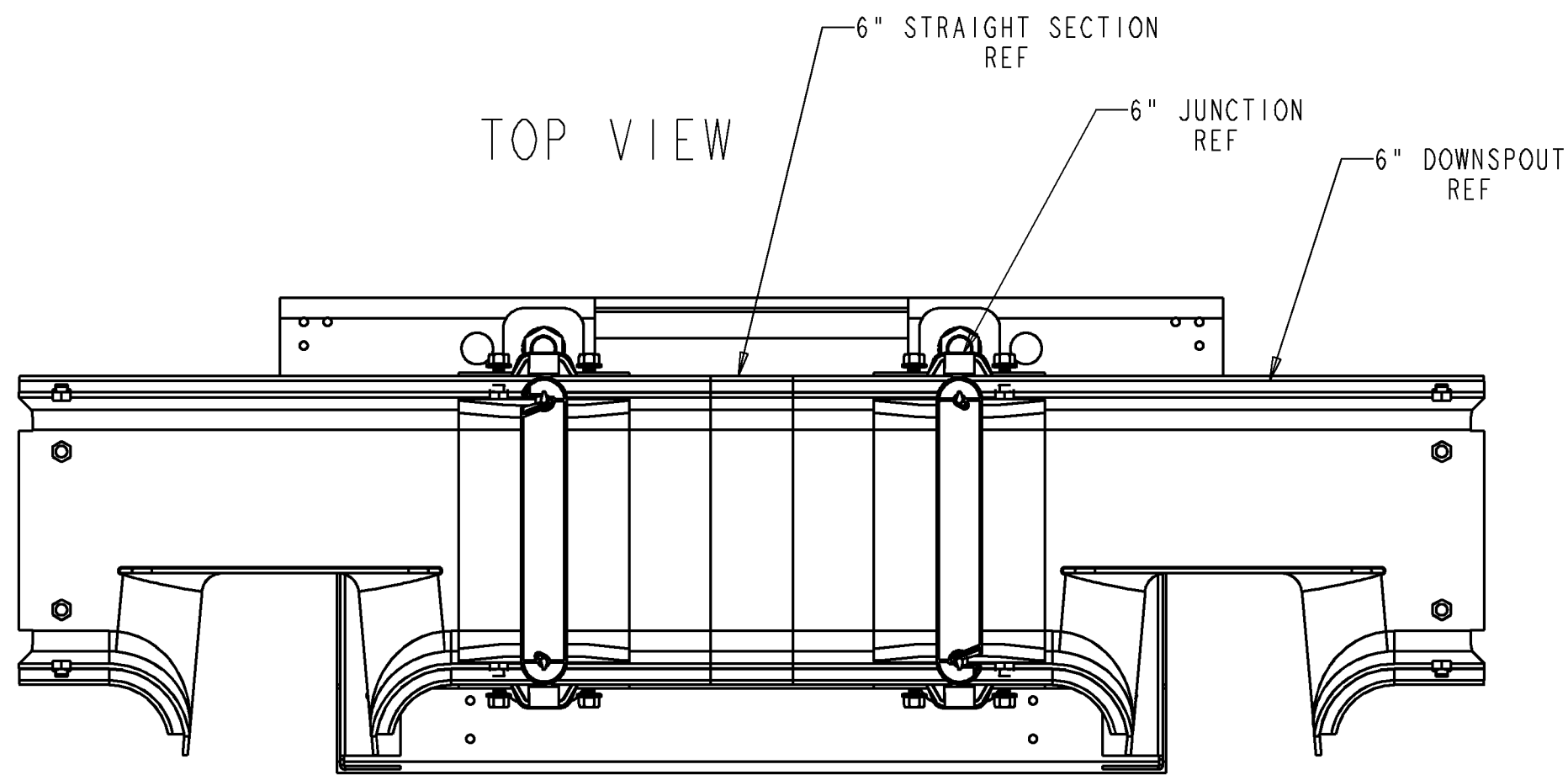
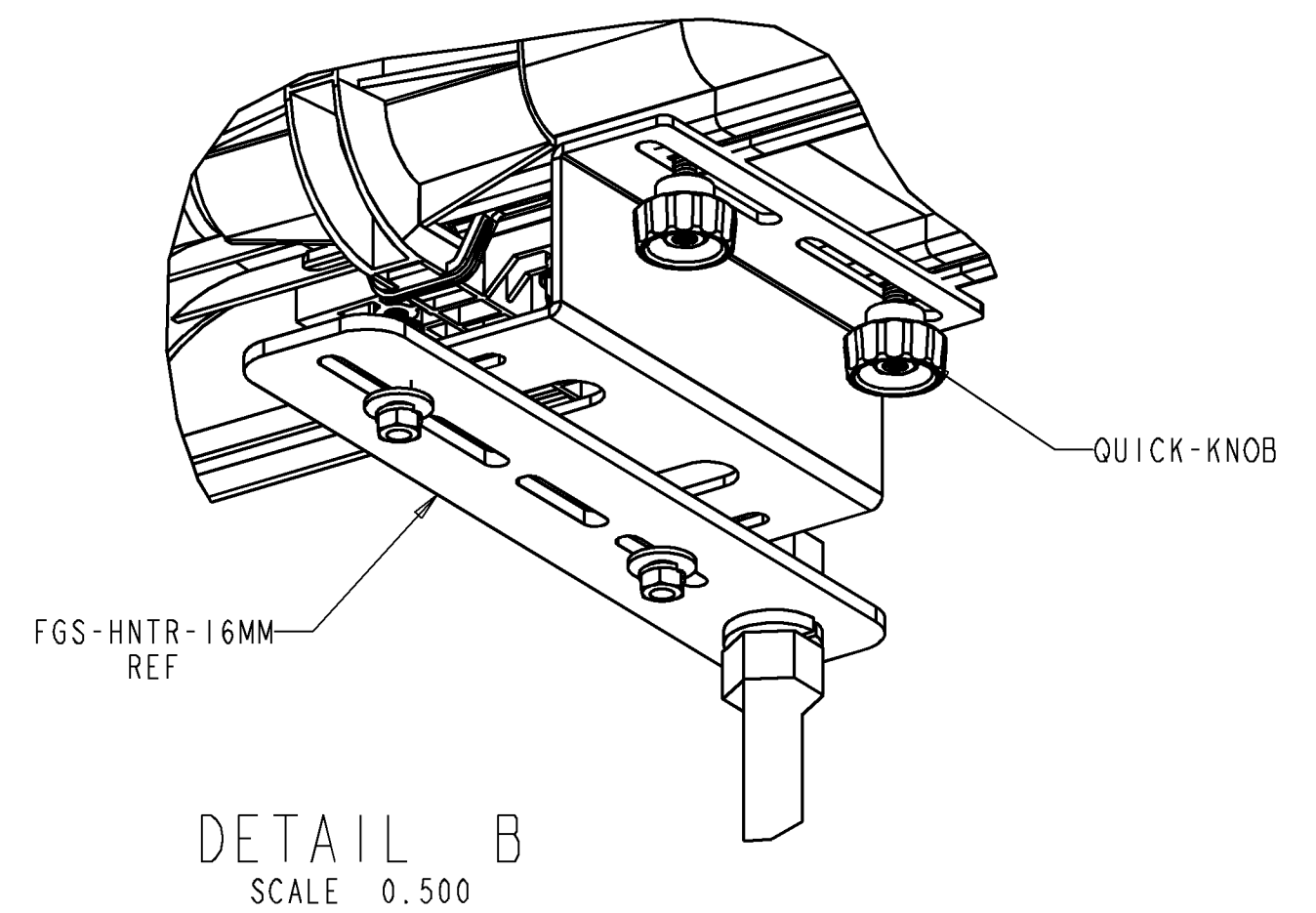
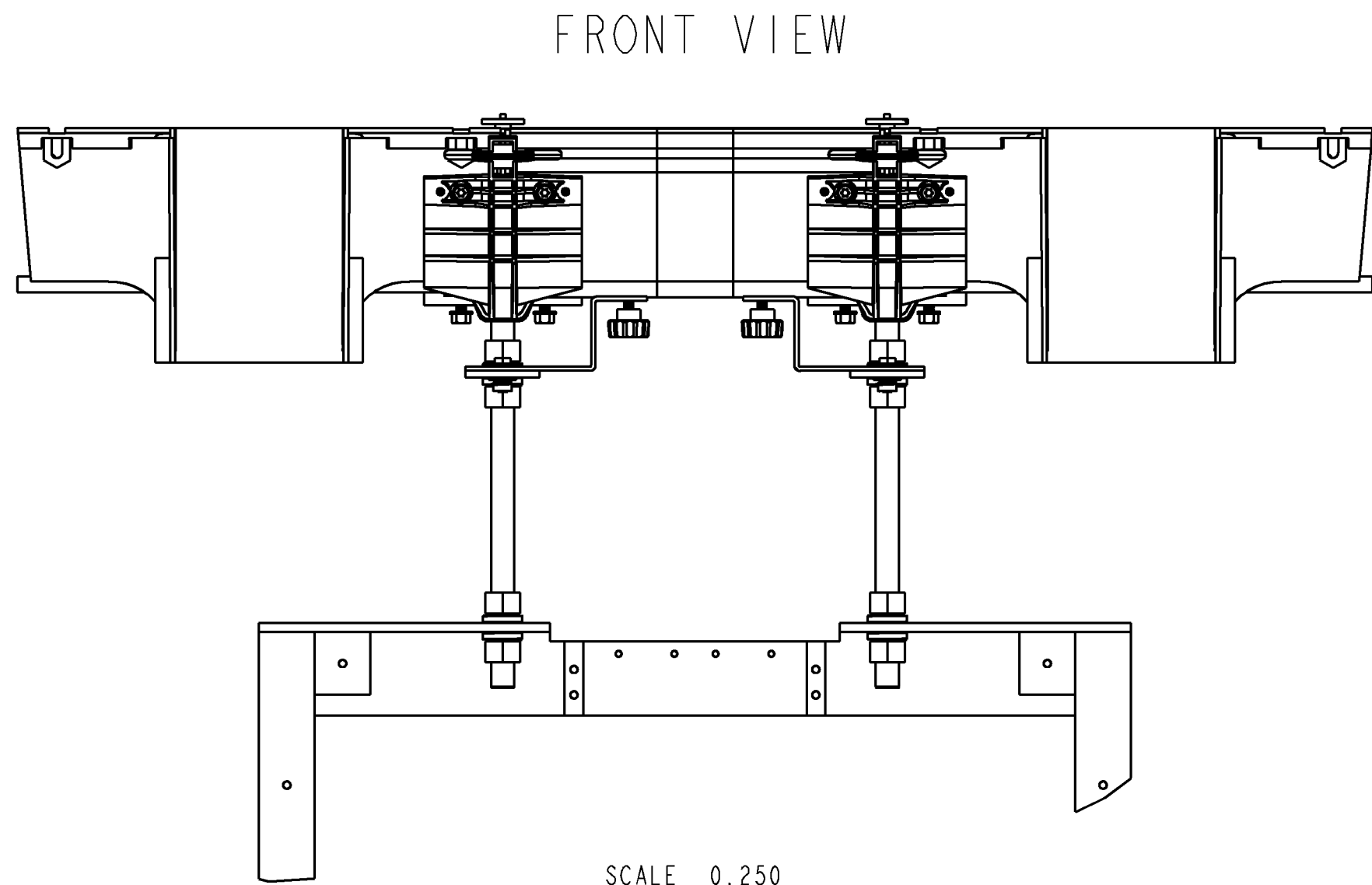


FIGURE 4  
OUTSIDE DROP  
INTO OMX FRAME



INFORMATION ON THIS DOCUMENT IS PROPRIETARY TO ADC AND SHALL NOT BE USED, COPIED, REPRODUCED OR DISCLOSED IN WHOLE OR IN PART WITHOUT WRITTEN CONSENT OF ADC.		TITLE FGS / OMX SUPPORT BRACKET INSTALLATION DRW	
TOLERANCE UNLESS OTHERWISE SPECIFIED .XX:± .XXX:± ANGULAR:±	C SIZE	DRAWING NUMBER 1172294	A REV
THIRD ANGLE PROJECTION 	DO NOT SCALE DRAWING	ENGR: DEREK DERKS DWN: CRAIG ZELASKO	SHT. 3 OF 5

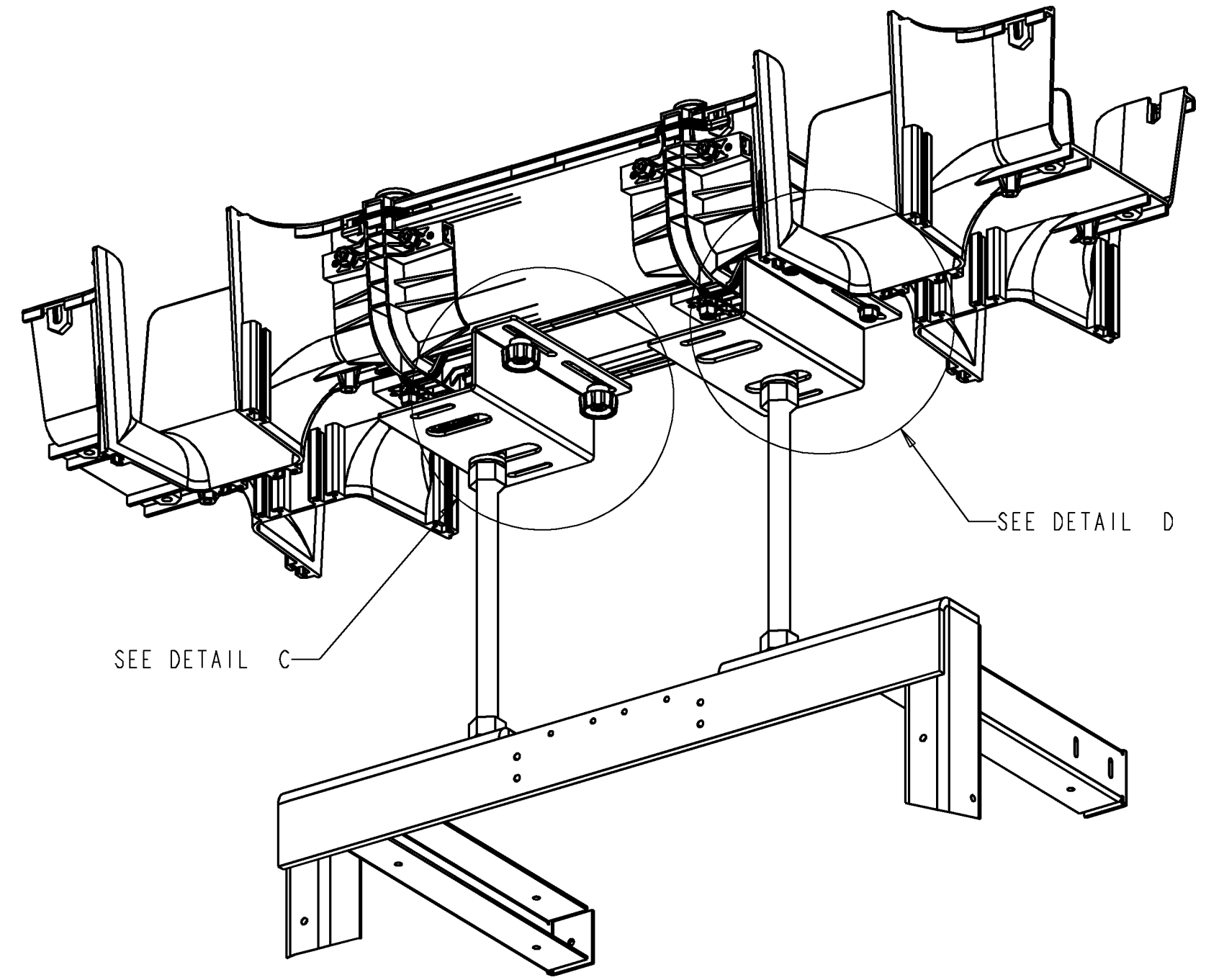
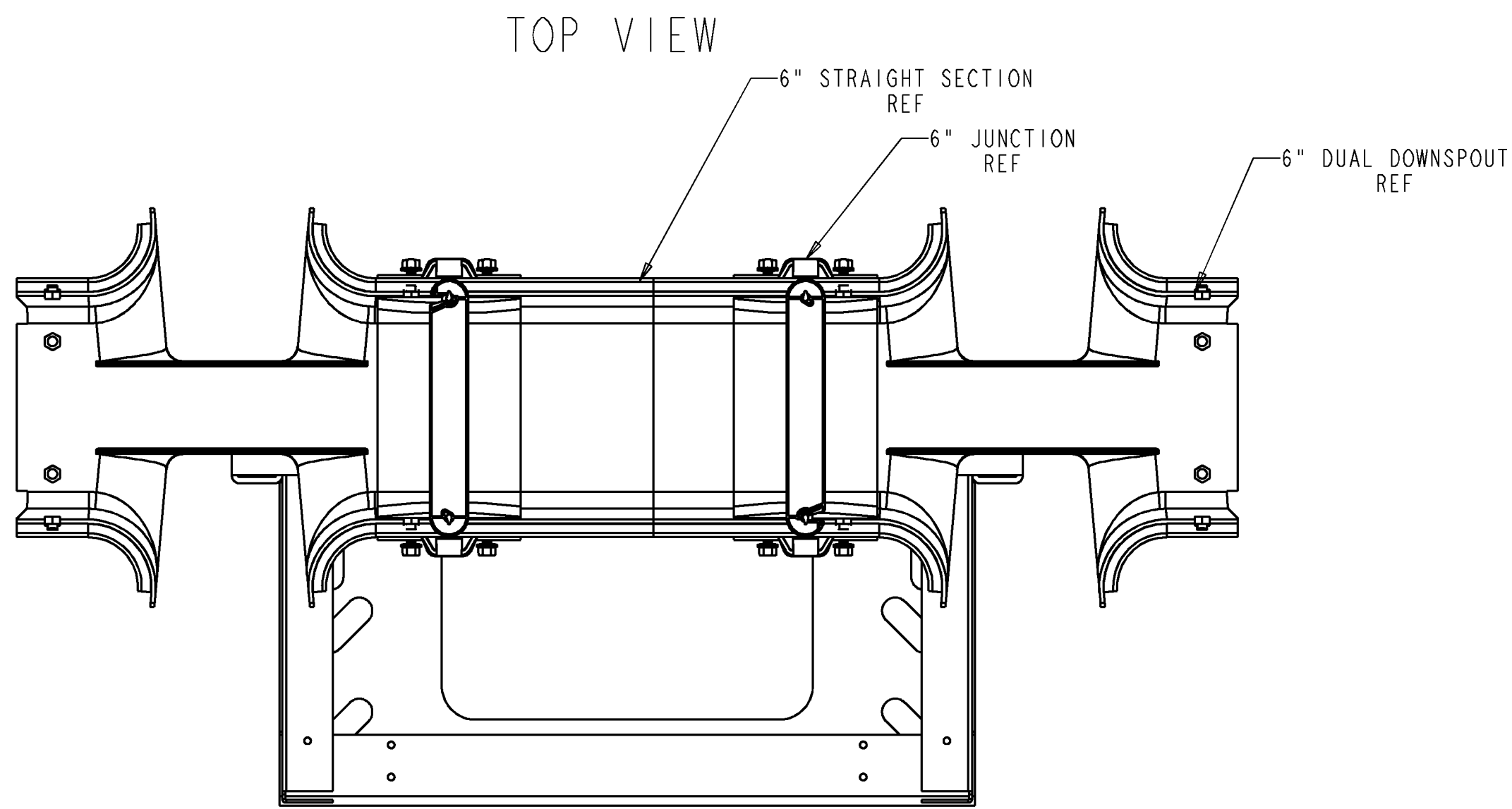
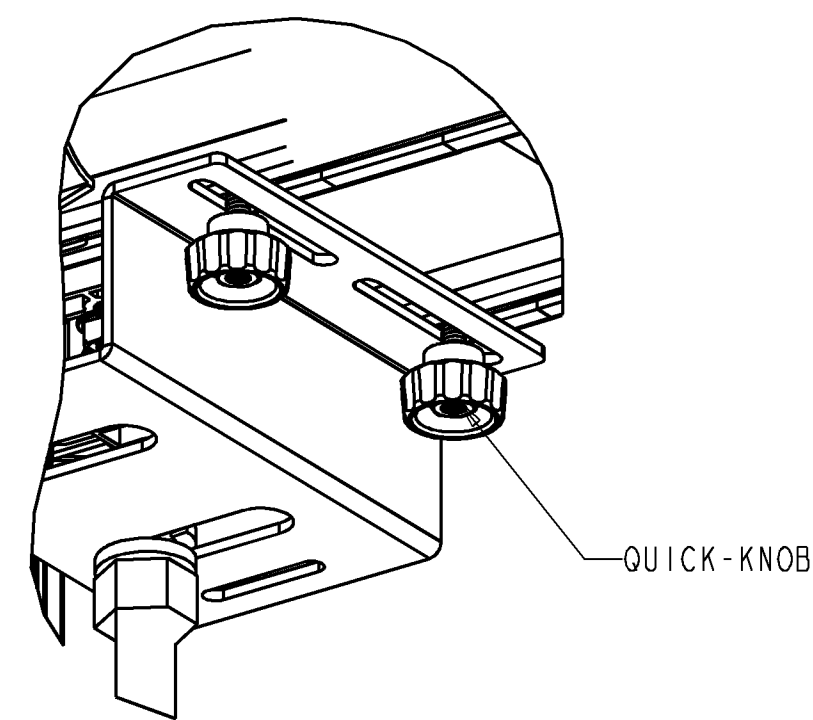
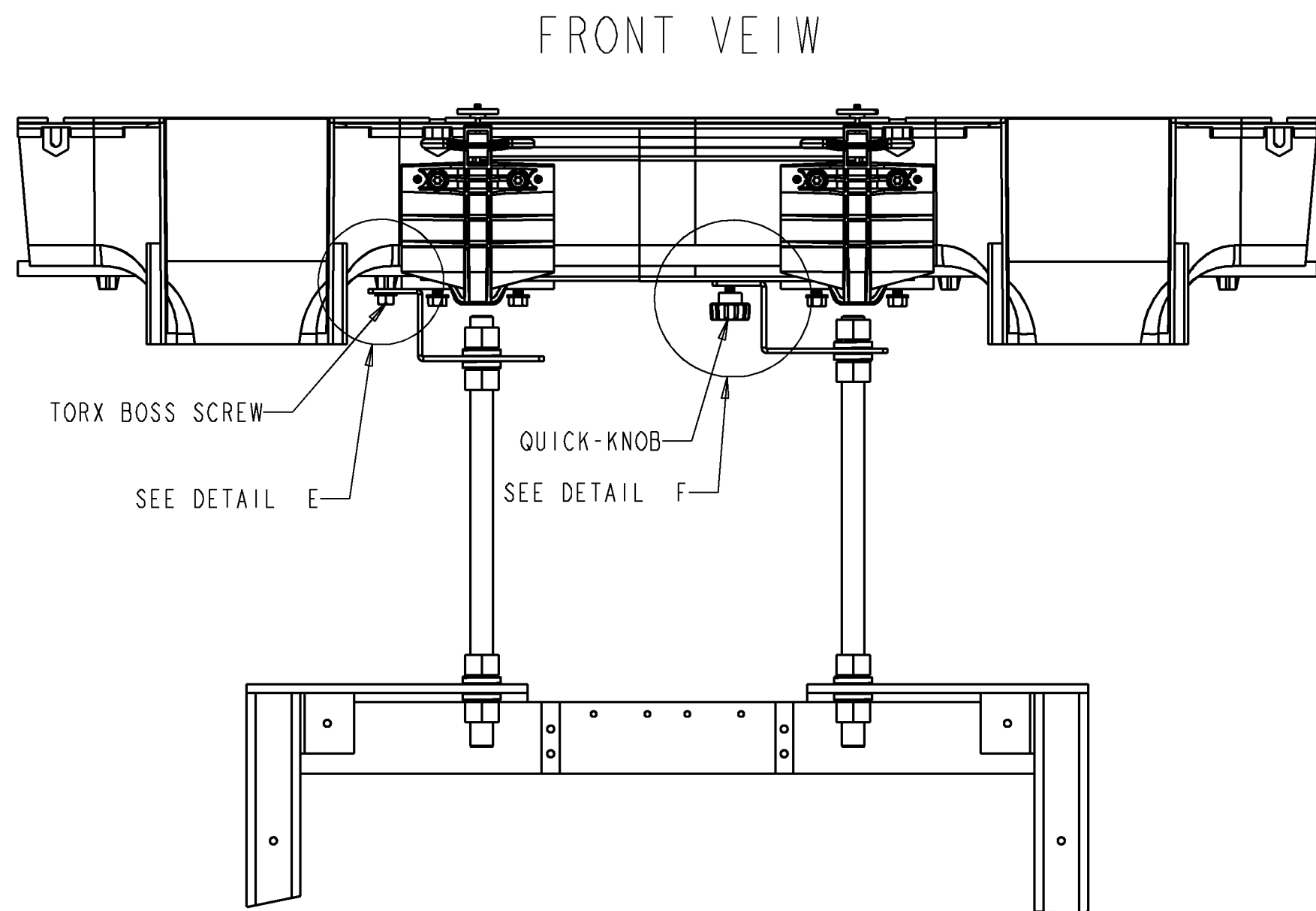
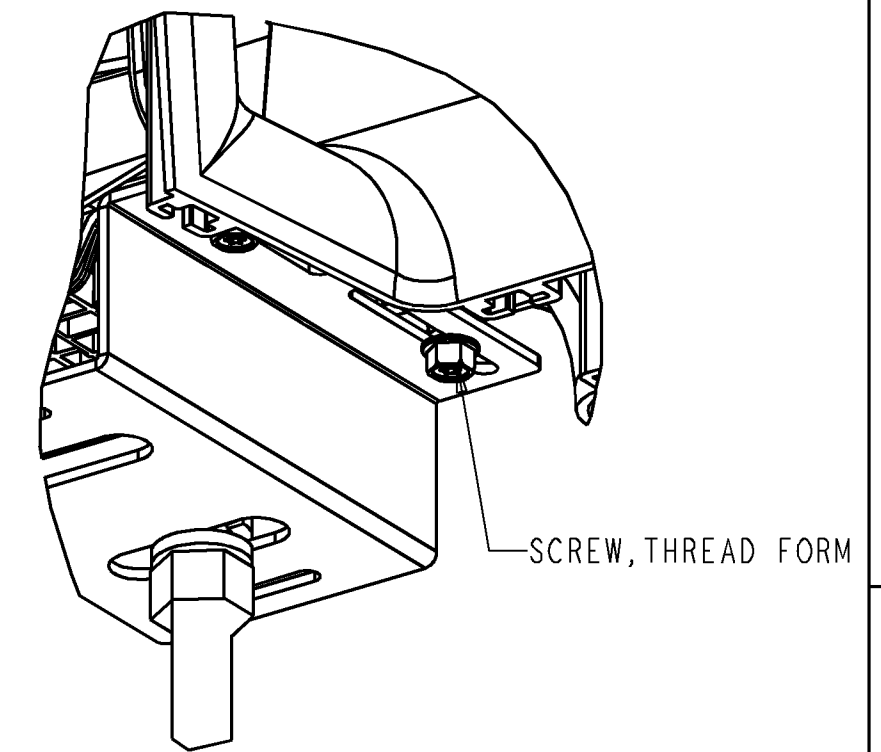


FIGURE 5  
DUAL OUTSIDE DROP  
INTO OMX FRAME



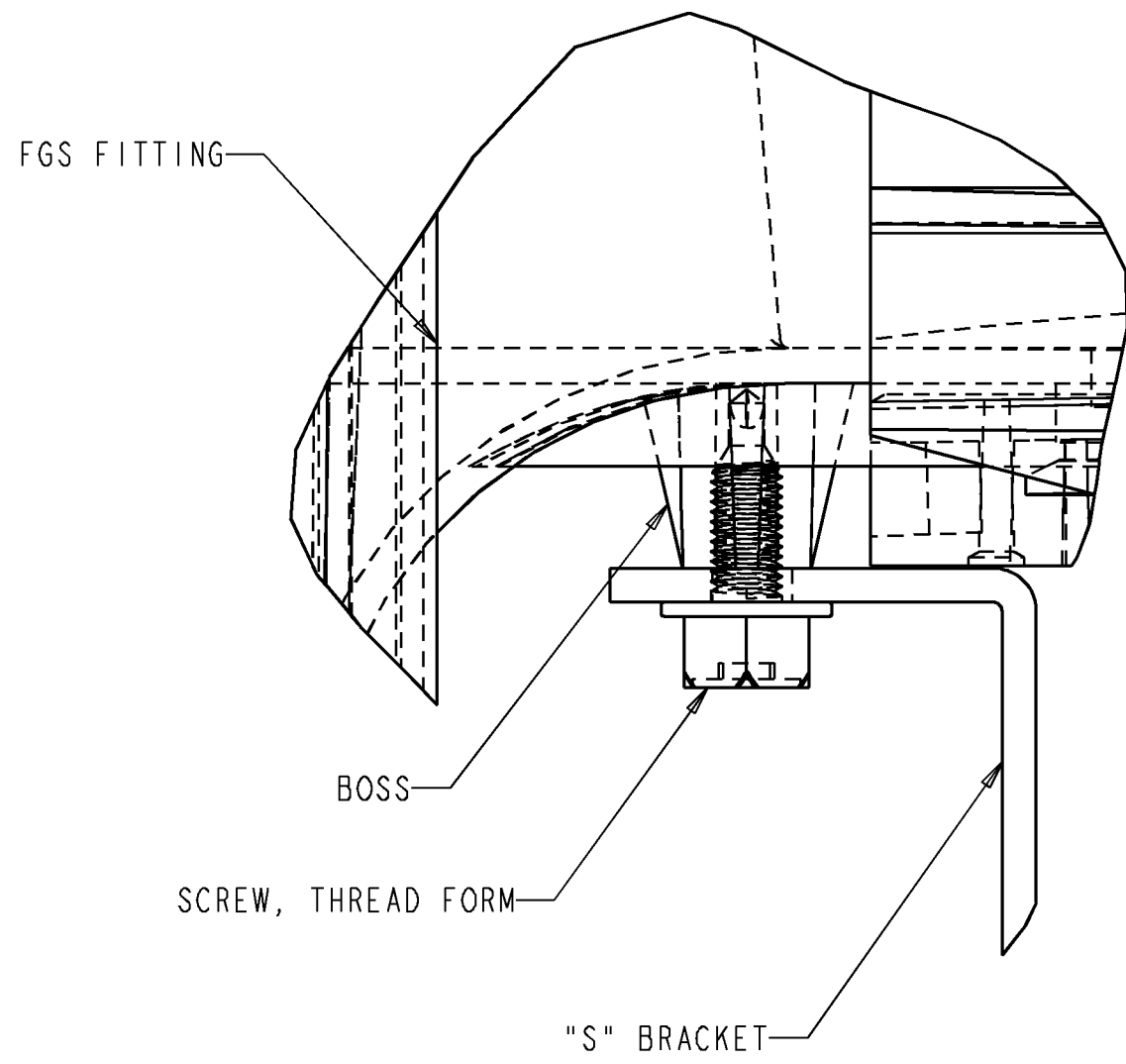
DETAIL C  
BRACKET ATTACHED  
TO STRAIGHT SECTION  
SCALE 0.500



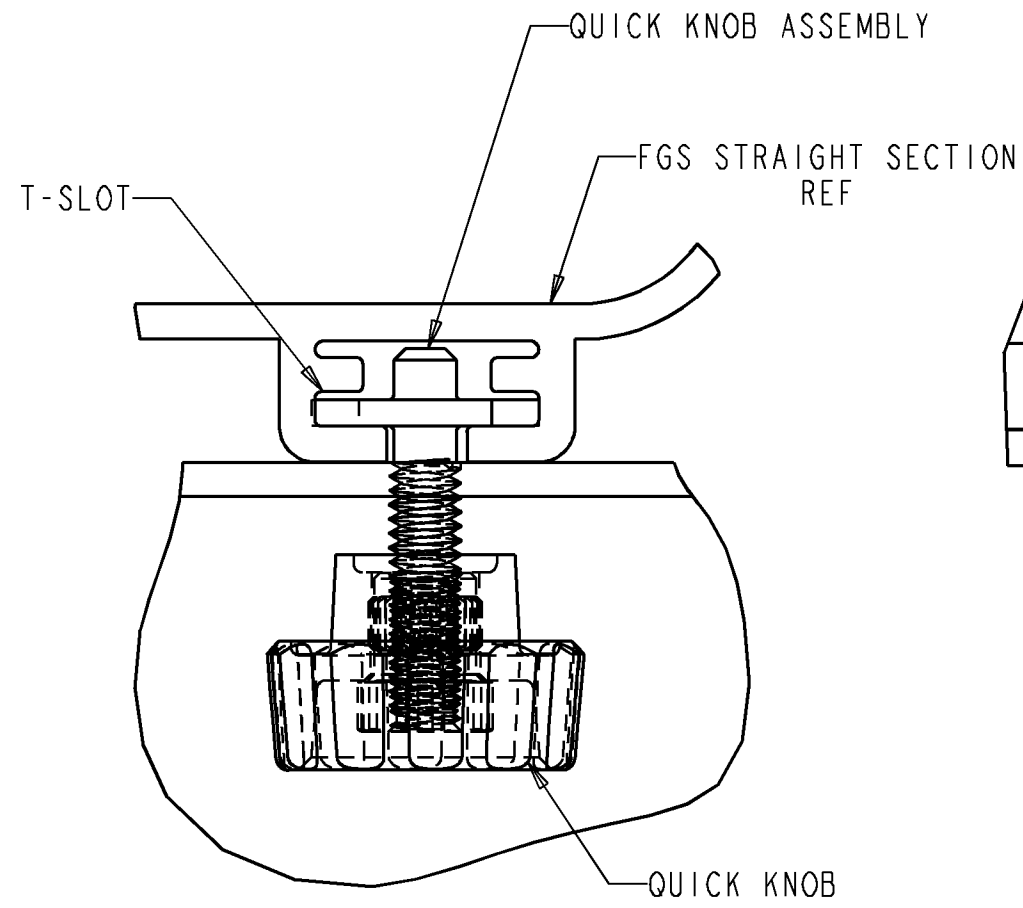
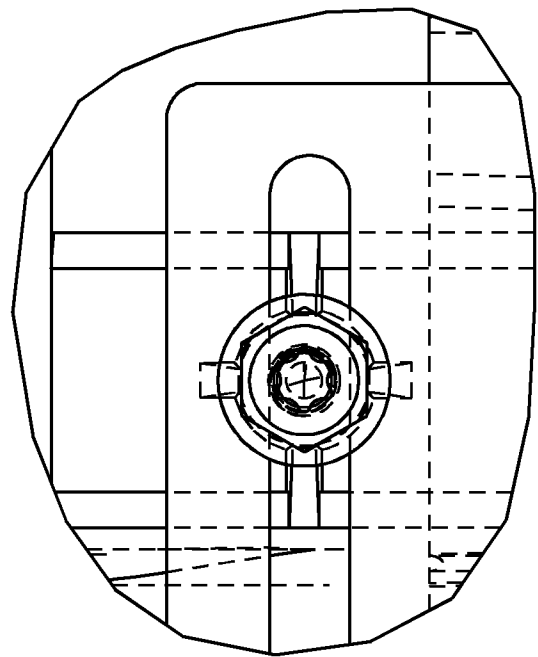
DETAIL D  
BRACKET ATTACHED  
DIRECTLY TO FITTING (BOSSES)  
SCALE 0.500



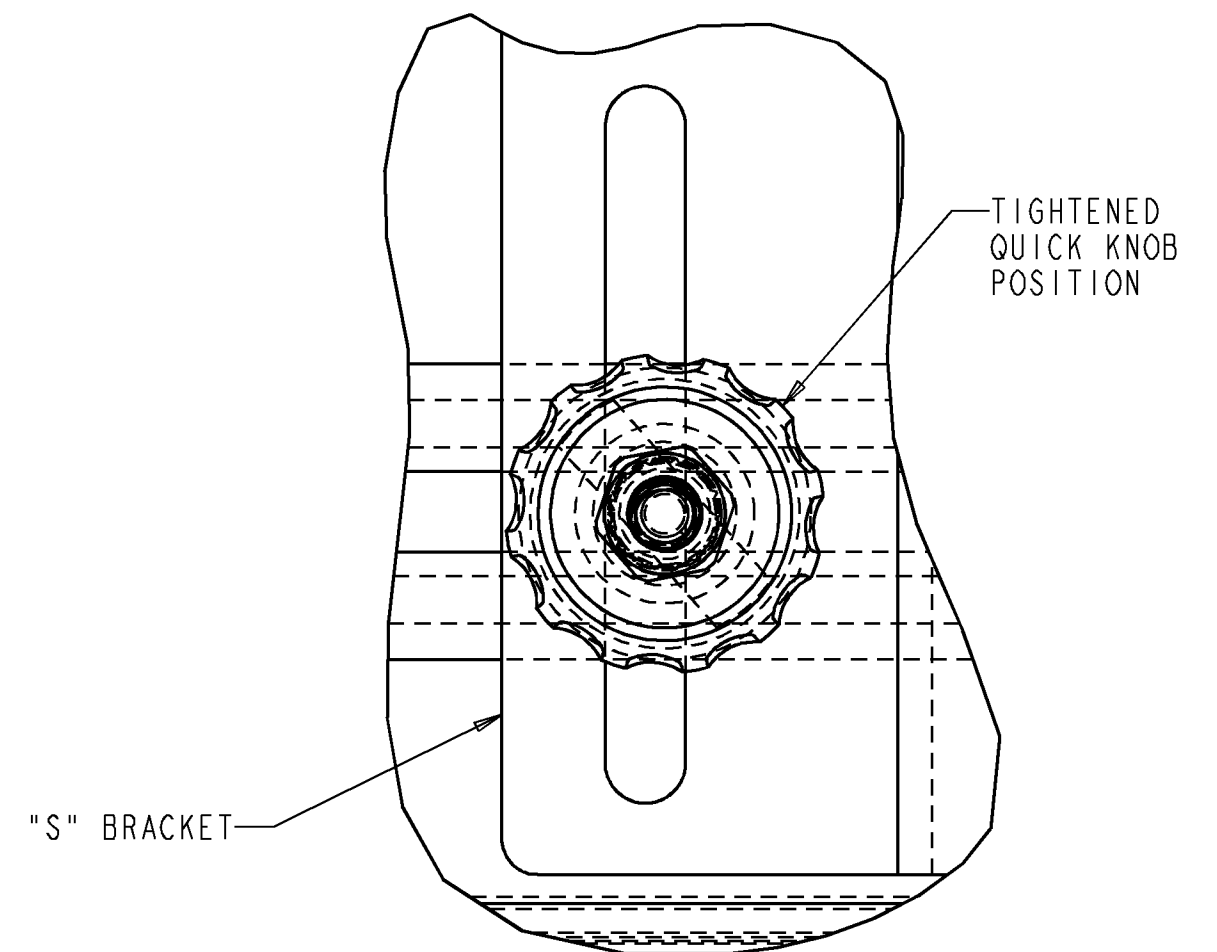
INFORMATION ON THIS DOCUMENT IS PROPRIETARY TO ADC AND SHALL NOT BE USED, COPIED, REPRODUCED OR DISCLOSED IN WHOLE OR IN PART WITHOUT WRITTEN CONSENT OF ADC.		TITLE FGS / OMX SUPPORT BRACKET INSTALLATION DRW	
TOLERANCE UNLESS OTHERWISE SPECIFIED	.XX:± .XXX:± ANGULAR:±	C SIZE	DRAWING NUMBER 1172294
THIRD ANGLE PROJECTION 	DO NOT SCALE DRAWING	ENGR: DEREK DERKS DWN: CRAIG ZELASKO	A REV
			SHT. 4 OF 5



DETAIL E  
MOUNTING BOSS SCREWS  
SCALE 1.500



DETAIL F  
QUICK KNOB MOUNTING  
FOR MOUNTING STRAIGHT SECTIONS ONLY  
SCALE 1.500



QUICK KNOB INSTALLATION INSTRUCTIONS:

3. INSERT QUICK KNOB ASSEMBLY THROUGH BRACKET, ROTATE 90°, AND INTO T-SLOT IN FGS STRAIGHT SECTION. ROTATE QUICK KNOB CLOCKWISE SUCH THAT QUICK KNOB FLANGES EXTEND INTO T-SLOT. HAND TIGHTENED NUT. SEE DETAIL F

BOSS SCREW INSTALLATION INSTRUCTIONS:

4. INSERT SCREW THROUGH BRACKET AND INTO SCREW BOSS ON MOLDED FITTING (IF APPLICABLE). TIGHTEN SCREW. SEE DETAIL E.



INFORMATION ON THIS DOCUMENT IS PROPRIETARY TO ADC AND SHALL NOT BE USED, COPIED, REPRODUCED OR DISCLOSED IN WHOLE OR IN PART WITHOUT WRITTEN CONSENT OF ADC.		TITLE FGS / OMX SUPPORT BRACKET INSTALLATION DRW	
TOLERANCE UNLESS OTHERWISE SPECIFIED	.XX:± .XXX:± ANGULAR:±	C SIZE	DRAWING NUMBER 1172294
THIRD ANGLE PROJECTION	DO NOT SCALE DRAWING	ENGR: DEREK DERKS DWN: CRAIG ZELASKO	A REV
			SHT. 5 OF 5