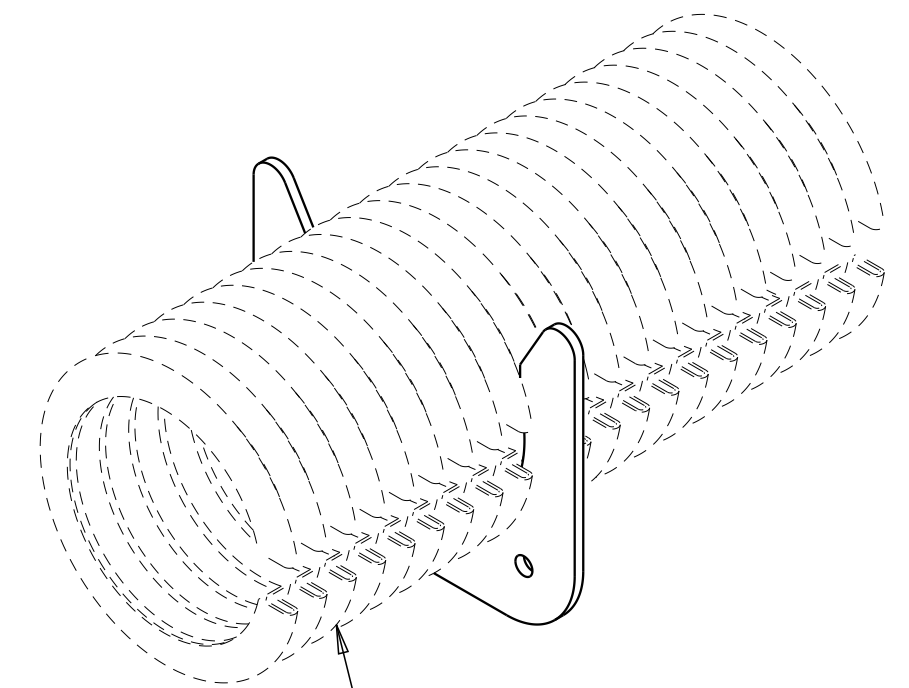
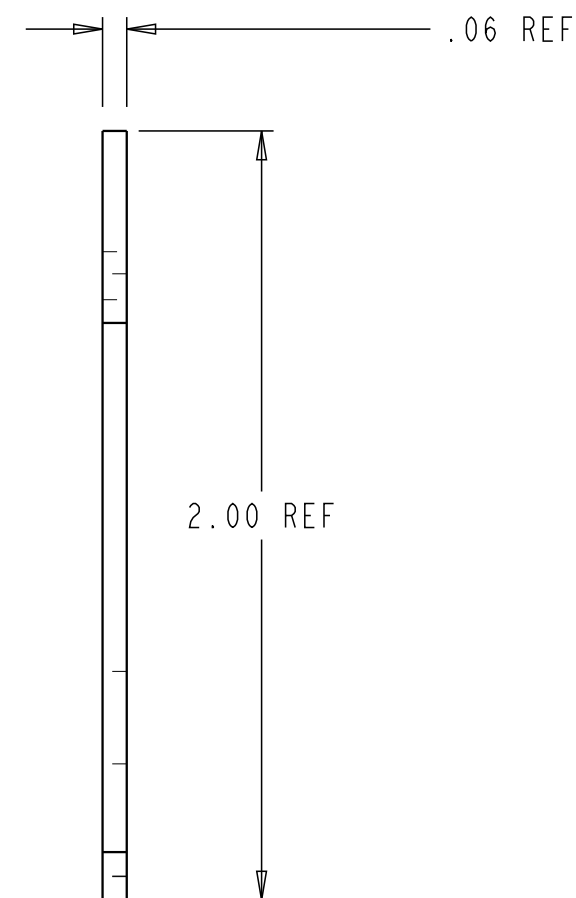
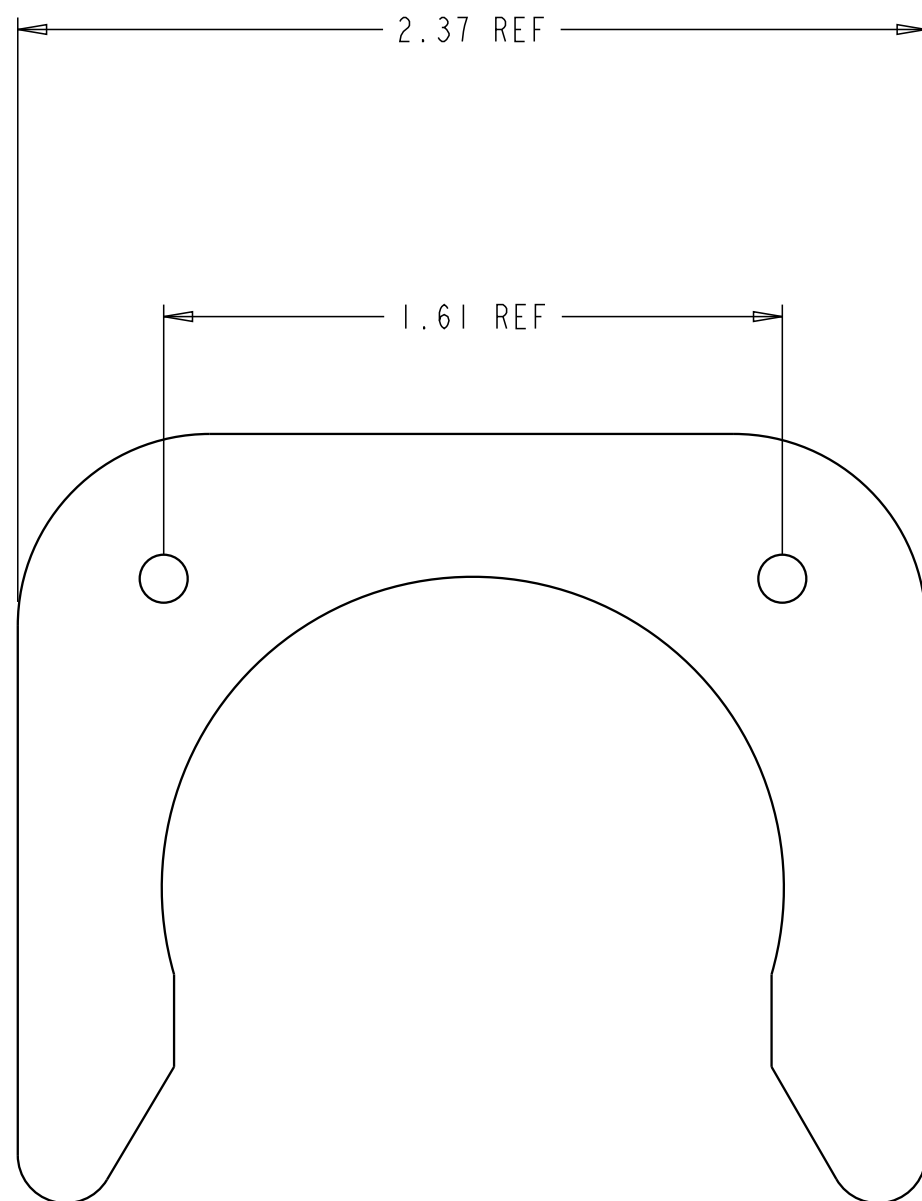


| REV. | MCO | DWN | DATE |
|------|-------------|-----|-----------|
| A | 40032750MCO | MAO | 14-MAR-14 |
| B | 40032750MCO | JUM | 10-AUG-16 |



COMPONENT NOT INCLUDED IN THE KIT

COMMSCOPE, INC.

FGS-HFRR-10
PRODUCT NUMBER

| | | |
|---|--|--------------------------------|
| <small>© 2016 COMMSCOPE, INC. CONFIDENTIAL NOTICE: THESE DRAWINGS AND SPECIFICATIONS ARE THE PROPRIETARY PROPERTY OF COMMSCOPE, INC. AND MAY BE USED ONLY FOR THE SPECIFIC PURPOSE AUTHORIZED IN WRITING BY COMMSCOPE, INC.</small> | TITLE FIBERGUIDES RETAINING RING INSTALLATION DRAWING | |
| | <small>ALL DIMS AND TOLERANCES .XX:±N/A ARE INCHES UNLESS .XXX:±N/A OTHERWISE SPECIFIED ANGULAR:±N/A</small> | DRAWING NUMBER 300100102426 |
| DO NOT SCALE DRAWING | ENGR: RUBEN ARVILLA DWN: MARIO ALONSO | SHT. 1 OF 1 |

DIMENSIONS IN INCHES
THIRD ANGLE PROJECTION