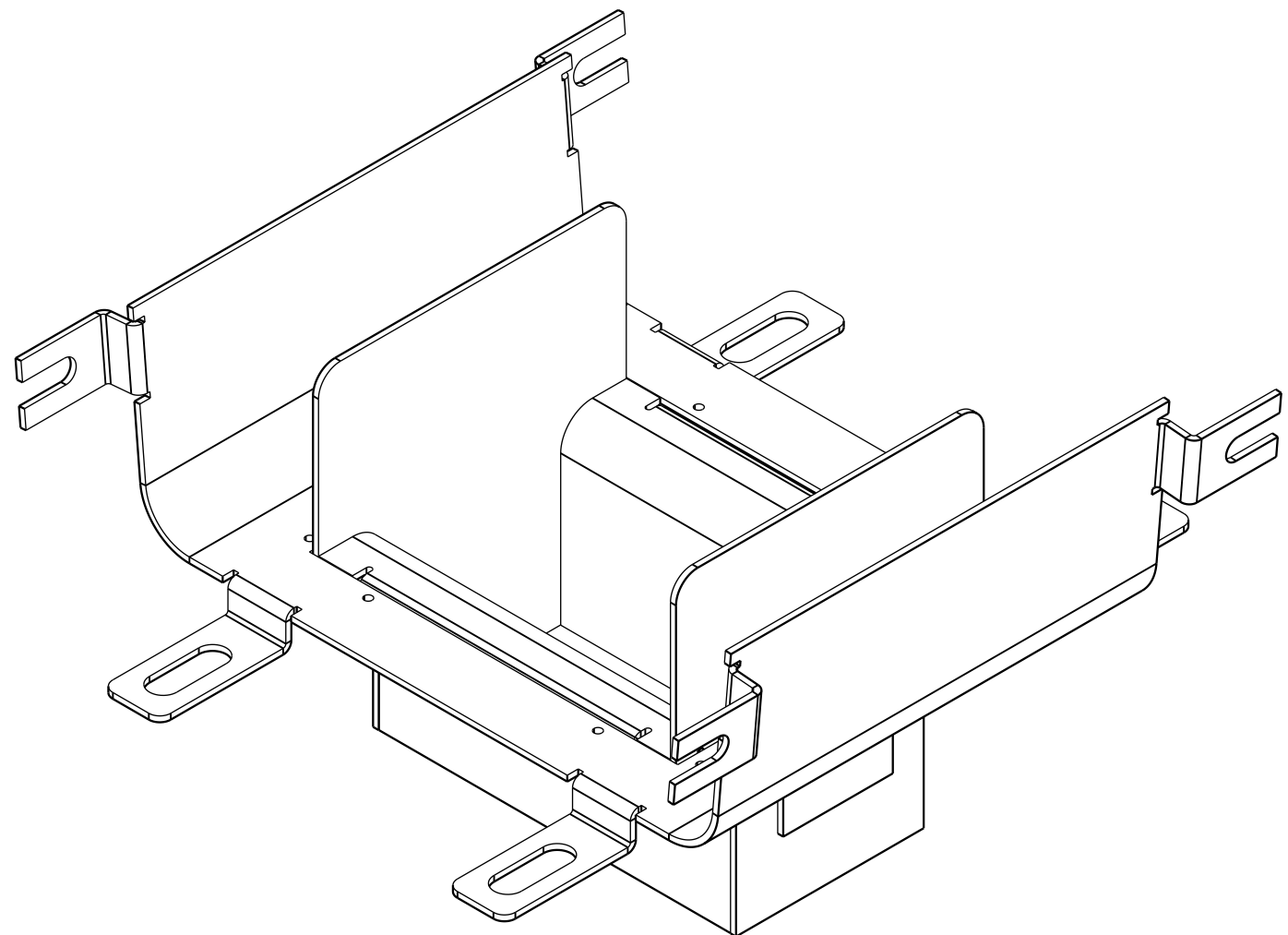
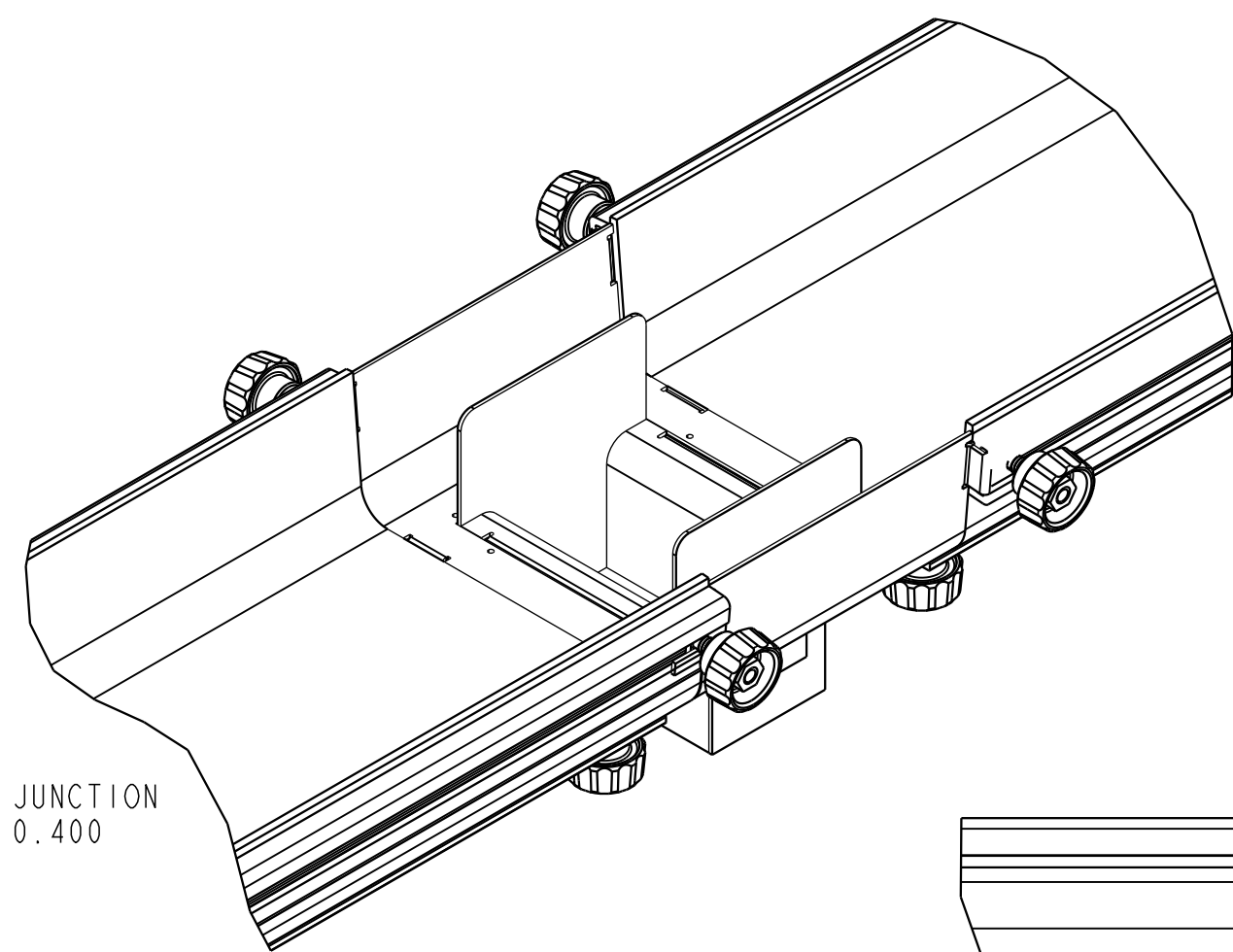


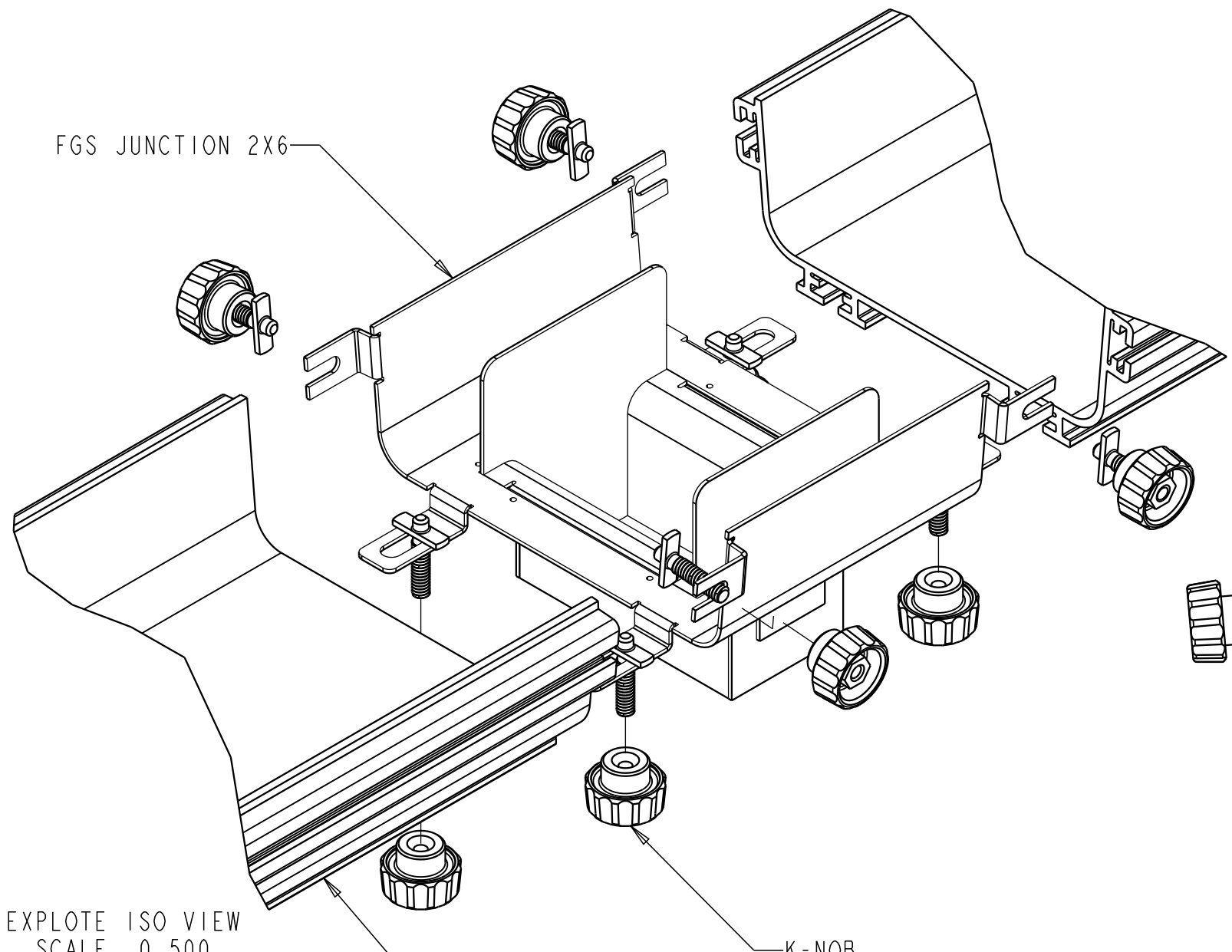
REV.	MCO	DWN	DATE
A	20342075	RAT	12-JUL-13
B	40032750MCO	JUM	05-AUG-16



2 X 6 JUNCTION
SCALE 0.700



INSTALLED JUNCTION
SCALE 0.400

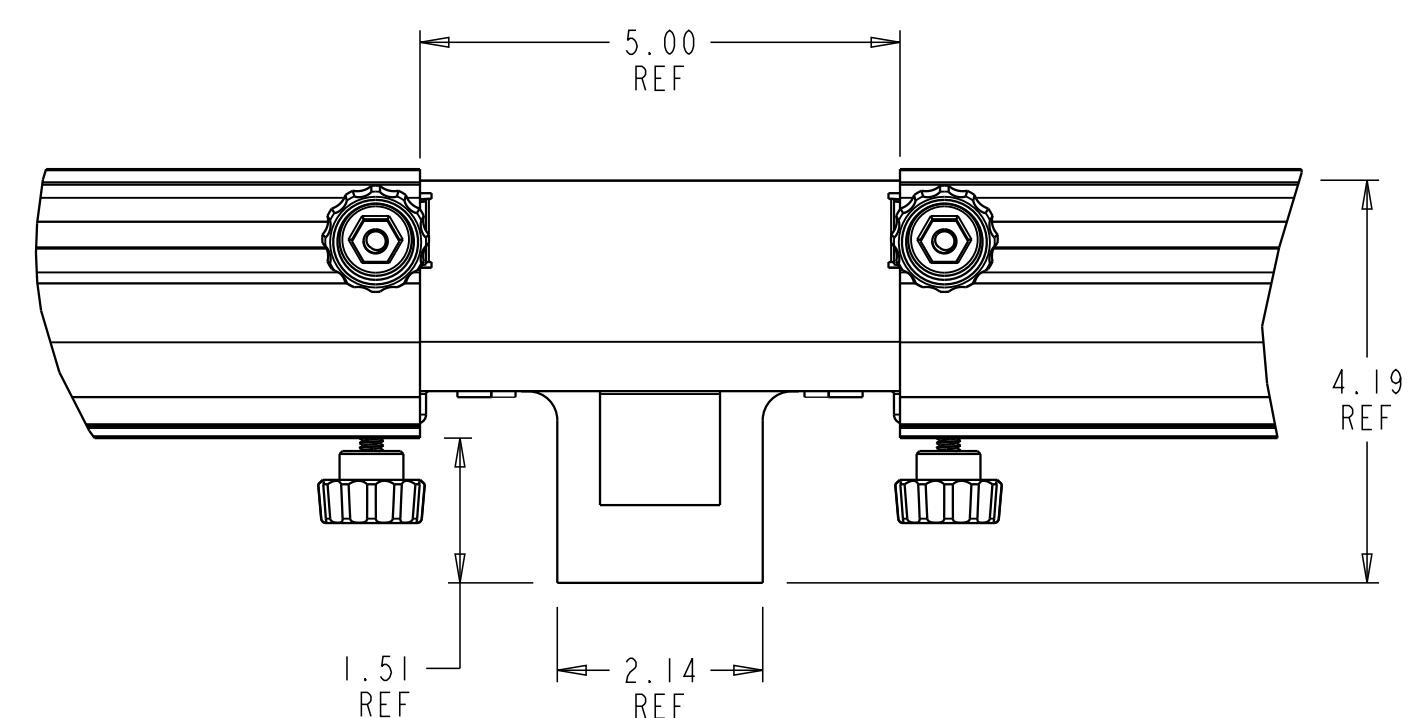
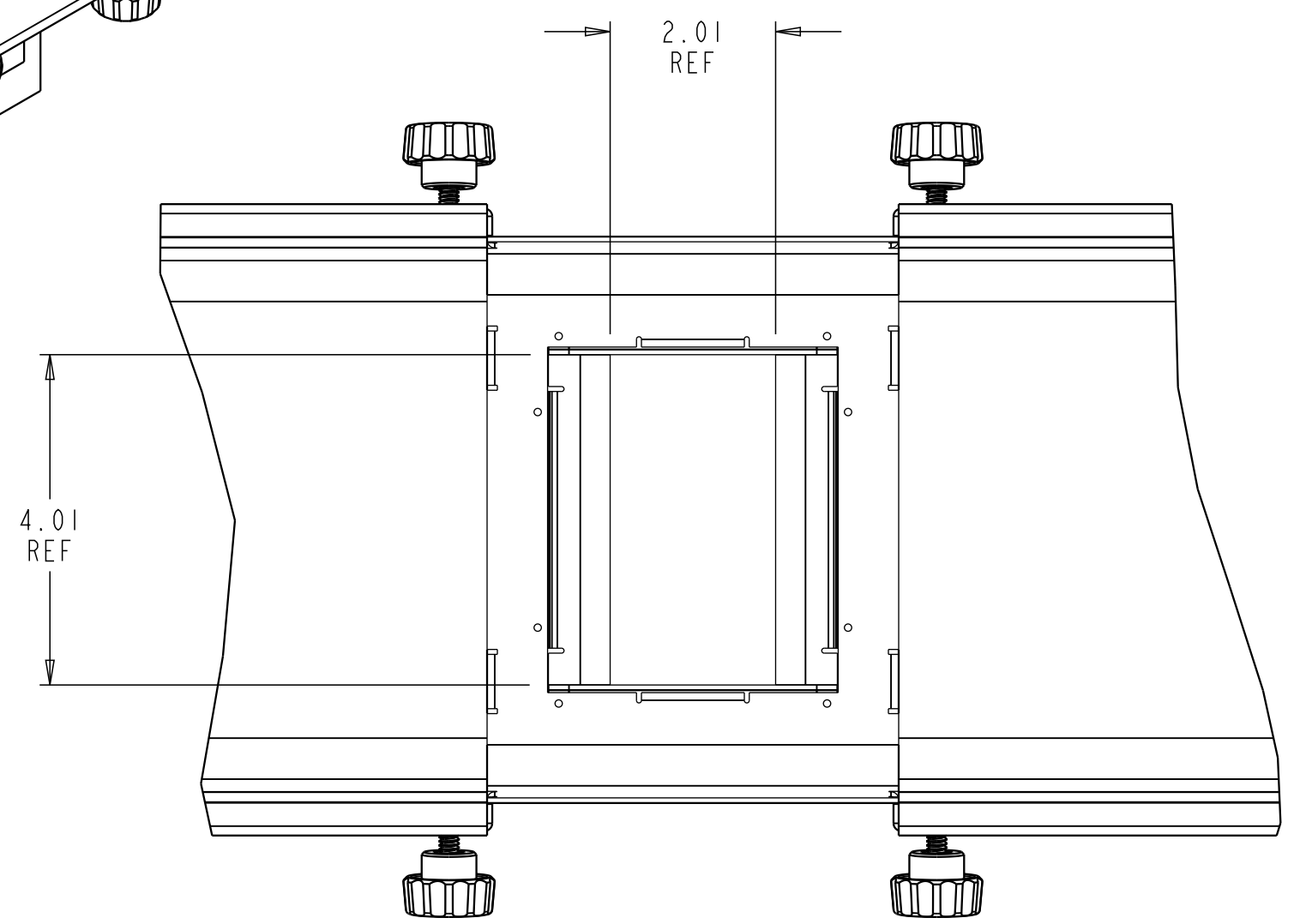


FGS JUNCTION 2X6

EXPLOTE ISO VIEW
SCALE 0.500

K-NOB
8 PIECES

FGS STRAIGHT SECTION
REFERENCE ONLY



CATALOG NUMBER: FGS-DOUT-G

COMMSCOPE, INC.

<small>© 2016 COMMSCOPE, INC. CONFIDENTIAL NOTICE: THESE DRAWINGS AND SPECIFICATIONS ARE THE PROPRIETARY PROPERTY OF COMMSCOPE, INC. AND MAY BE USED ONLY FOR THE SPECIFIC PURPOSE AUTHORIZED IN WRITING BY COMMSCOPE, INC.</small>		TITLE FGS JUNCTION 2 X 6 INST DRAWING	
<small>ALL DIMS AND TOLERANCES ARE INCHES UNLESS OTHERWISE SPECIFIED</small>	<small>.XX:±N/A .XXX:±N/A ANGULAR:±N/A</small>	C SIZE DRAWING NUMBER 300001779108	B REV
DO NOT SCALE DRAWING		ENGR: ERIK ESTRADA DWN: RUBEN ARVILLA	SHT. 1 OF 1

DIMENSIONS IN INCHES
THIRD ANGLE PROJECTION