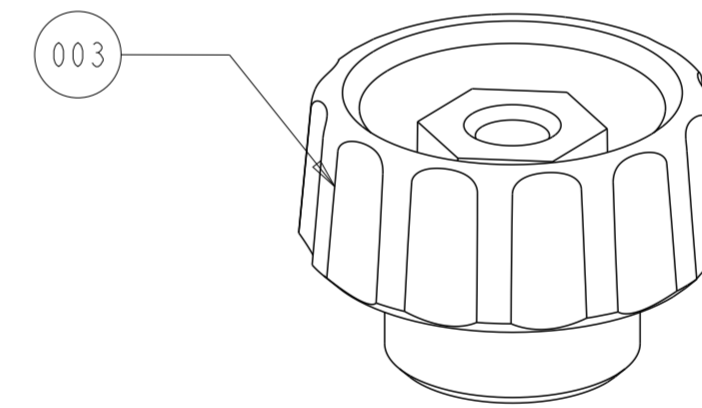
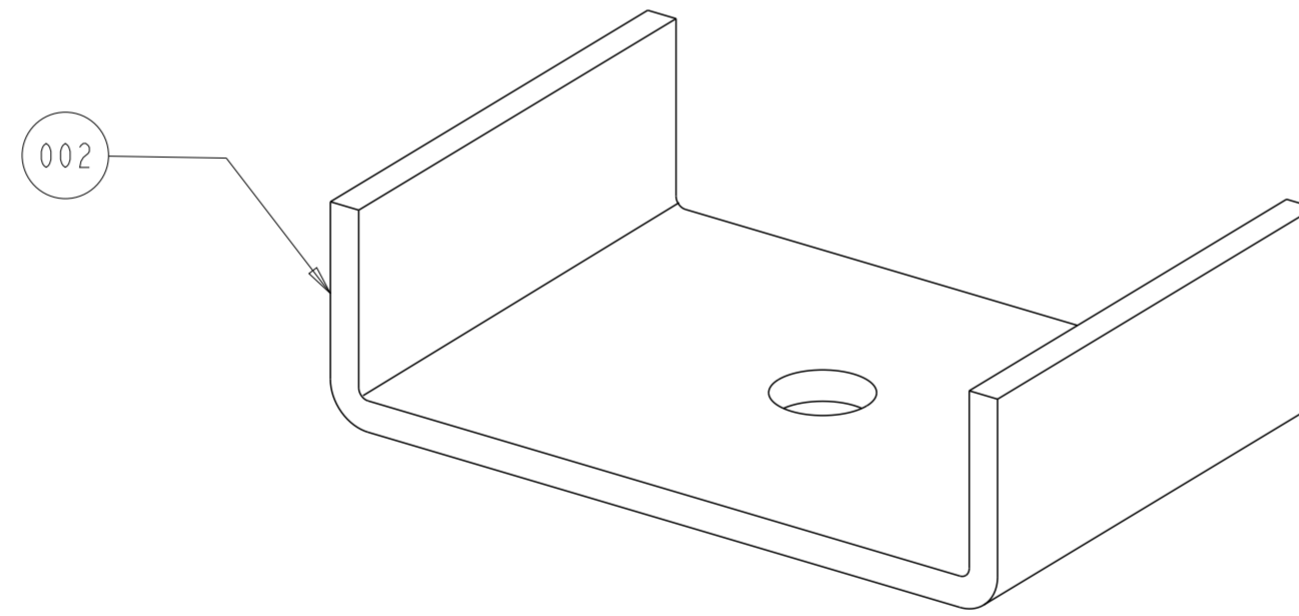
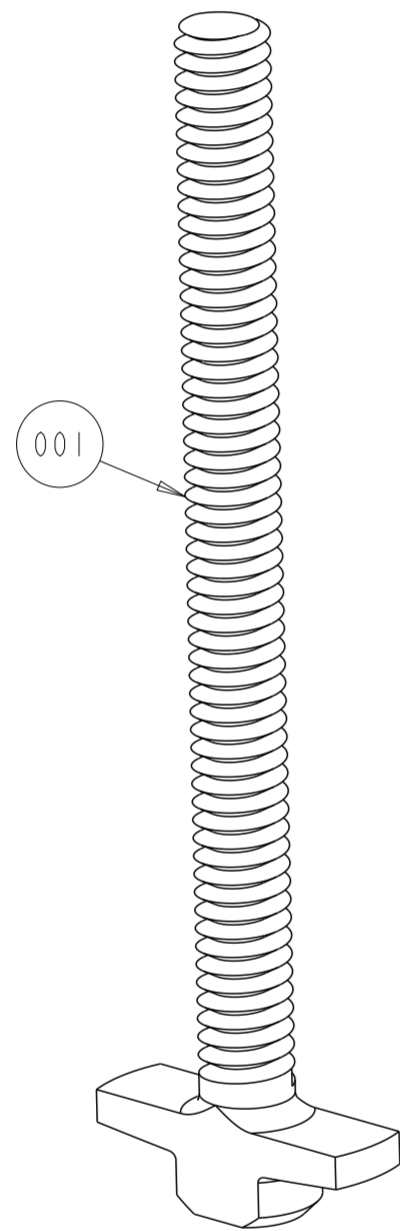


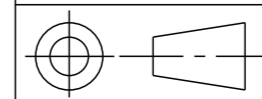
REVISIONS			
REV	CMO	DATE	APPROVED
A	40089157CMO	06-MAY-2019	ODVL

PART LIST		
F/N	QTY	DESCRIPTION
001	100	T-BOLT 1/4-20 3"
002	100	CLIP FRAMING FOR 1/4
003	100	QUICK KNOB



**CATALOG NUMBER: FGS-ACC533**

<b>COMMSCOPE, INC.</b>			
DRAFTER OSCAR VALENZUELA		TITLE KIT, 100, QUICK KNOB T-BOLT & CLIP FRAMING, INST DRW	
ENGINEER RUBEN ARVILLA		SIZE A2	SCALE 1.000
		DOCUMENT NO. <b>660003317</b>	
CUSTOMER DRAWING			REVISION A
			SHEET 1 OF 1



A  
B  
C  
D  
E  
F  
G  
H

A  
B  
C  
D  
E  
F  
G  
H