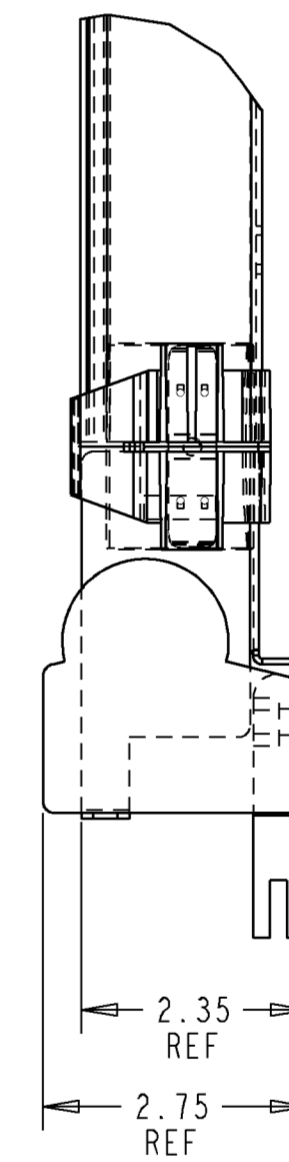
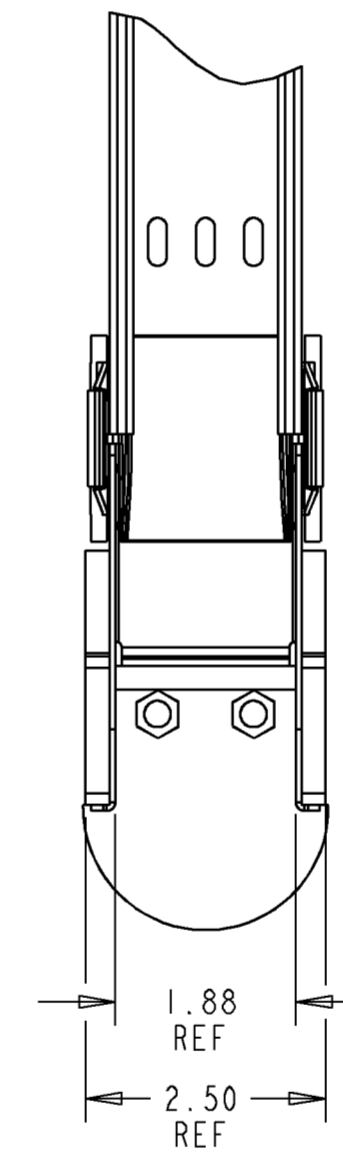
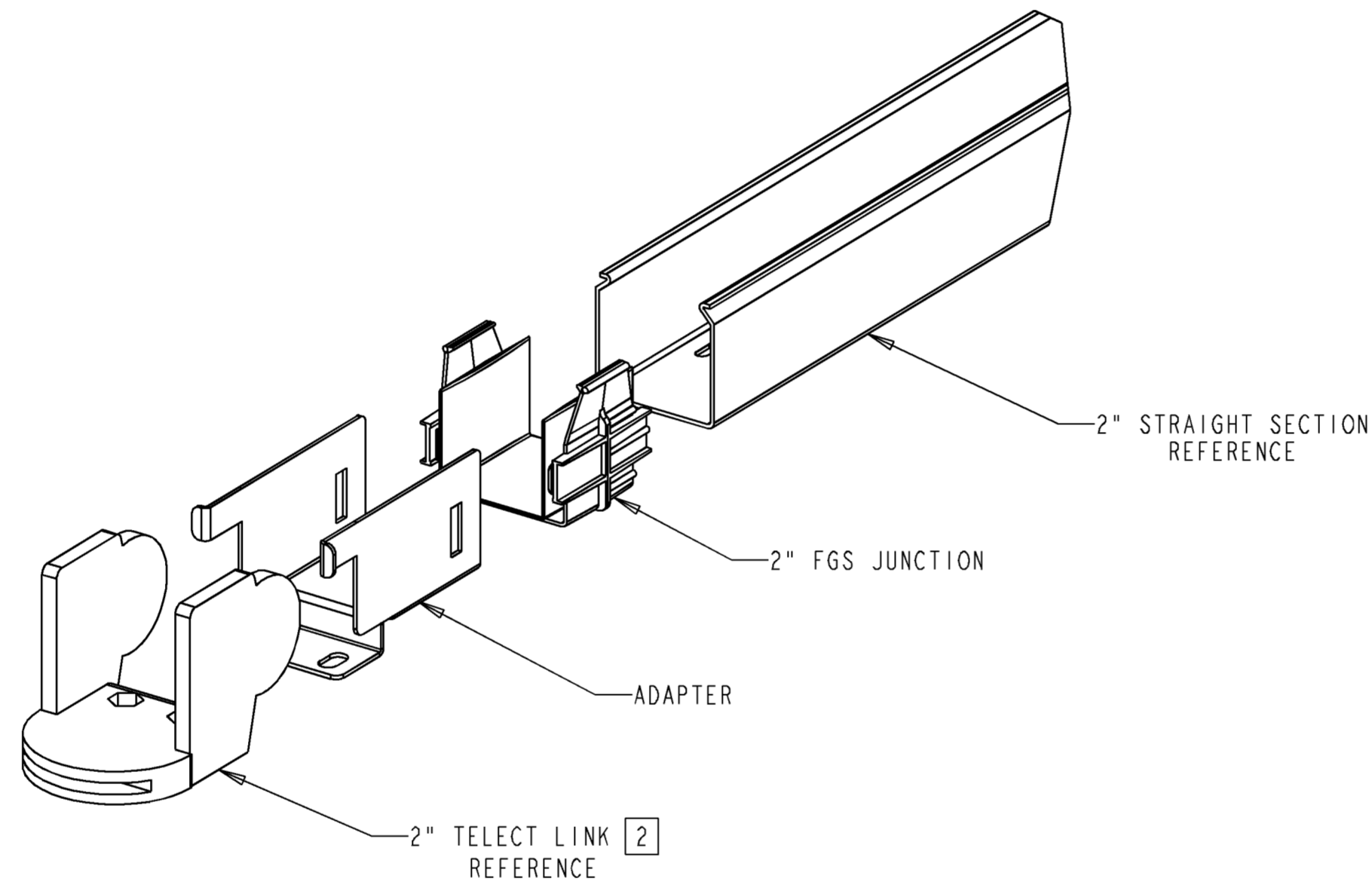
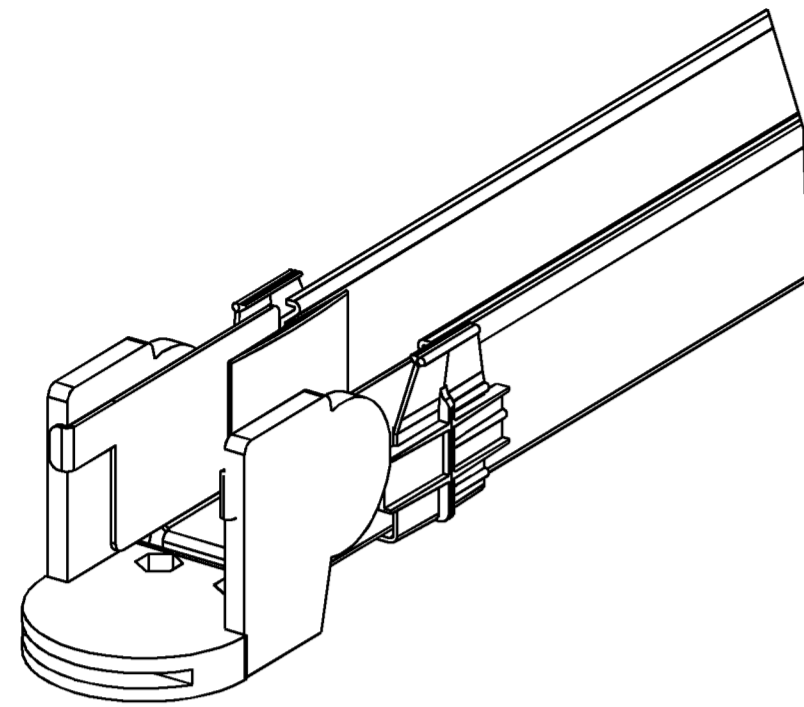


REV	MCO	DWN	DATE
B	20121092	SNF	24-MAY-02
C	20274328	GCC	07-OCT-09



**NOTES:**

- KIT INCLUDES THE FOLLOWING:  
 (1) ADAPTER  
 (1) 2" FGS JUNCTION

ATTACHING THE ADAPTER TO THE TELECT LINK:

- SEPERATE TELECT LINK INTO TWO INDIVIDUAL COMPONENTS.
- MATE THE ADAPTER TO THE TELECT COMPONENT AS SHOWN. SIDES OF THE ADAPTER WILL NEED TO BE SQUEEZED INWARD SLIGHTLY.
- ATTACH THE 2" FGS JUNCTION TO THE ADAPTER.
- MATE THE OPPOSITE SIDE OF THE 2" JUNCTION ASSEMBLY TO THE FGS 2" STRAIGHT SECTION.

<b>FGSB-ACC125</b>	BLACK
<b>FGS-ACC125</b>	YELLOW
<b>CATALOG NUMBER</b>	<b>COLOR</b>



INFORMATION ON THIS DOCUMENT IS PROPRIETARY TO ADC AND SHALL NOT BE USED, COPIED, REPRODUCED OR DISCLOSED IN WHOLE OR IN PART WITHOUT WRITTEN CONSENT OF ADC.

ALL DIMS AND TOLERANCES ARE INCHES UNLESS OTHERWISE SPECIFIED

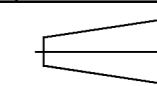
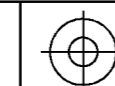
DO NOT SCALE DRAWING

TITLE: 2" FGS TO 2" TELECT ADAPTER KIT

DRAWING NUMBER: 1154607

ENGR: KEVIN HRUBY  
DWN: CRAIG ZELASKO

SHT. 1 OF 1



**DIMENSIONS IN INCHES  
THIRD ANGLE PROJECTION**