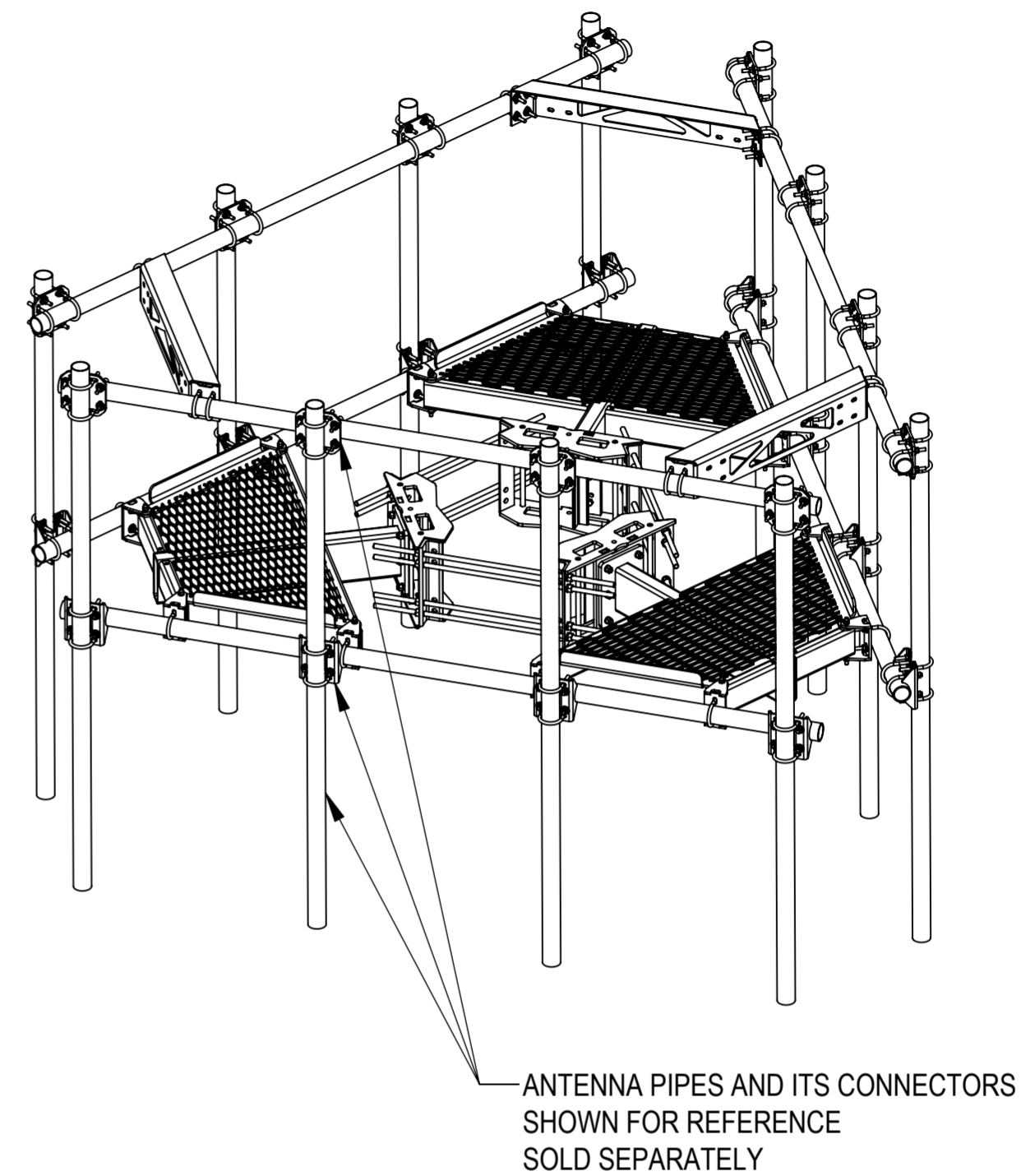
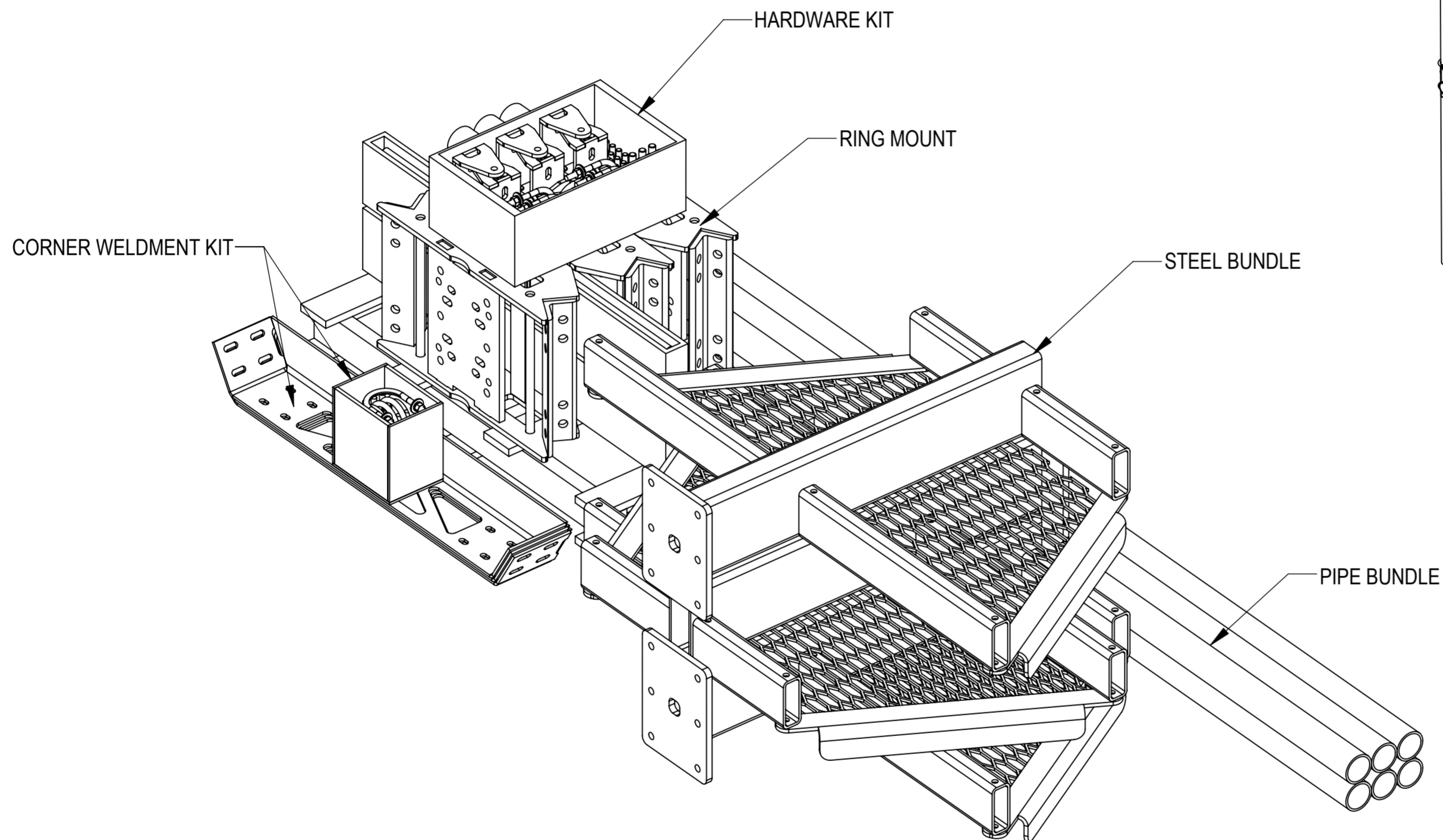


- 1.0 GENERAL
 1.1 ALL IMPERIAL DIMENSIONS ARE IN BRACKETS [X. XX]
 1.2 FOR PATENT INFO: <https://www.cs-pat.com>
- 2.0 DESIGN NOTES
 2.1 ANY HAZARDS OR OBSTRUCTIONS TO THE CLIMBING FACILITY AND SAFETY CLIMB MUST BE IDENTIFIED PRIOR TO INSTALLING THE APPURTENANCE. ADDITIONAL PRODUCTS MAY BE REQUIRED TO MAINTAIN THE INTEGRITY OF THE SAFETY CLIMB. DURING INSTALLATION, TEMPORARY AND/OR PERMANENT PRECAUTIONARY MEASURES SHOULD BE TAKEN TO PRESERVE THE CLIMBING FACILITY AND/OR SAFETY CLIMB.
- 3.0 MANUFACTURING/SPECIAL REQUIREMENTS
 3.1 TIGHTEN ALL BOLTS SECURING FLAT PLATES BY THE TURN-OF-NUT METHOD. TIGHTEN ALL U-BOLTS USING TURN-OF-NUT METHOD WITH ATTENTION TO LEAVE EQUAL DISTANCE AND EQUAL FORCE ON EACH LEG OF THE U-BOLT.
- 4.0 TEST
- 5.0 PACKAGING
 5.1 PACKAGING SHALL MEET COMMSCOPE REQUIREMENTS PER DOCUMENT IS-PL-3005
 5.2 PRINTED DOCUMENT TO BE PLACED INSIDE POLYBAG AND THEN IN SHIPPING CONTAINER
 5.3 EXTRA HARDWARE MAYBE SUPPLIED, BAGGED AND SHIPPED

REVISIONS			
REV.	DESCRIPTION	DATE	APPROVED
A	INITIAL RELEASE	LS1146 28APR23	XK1001 40167937CMO



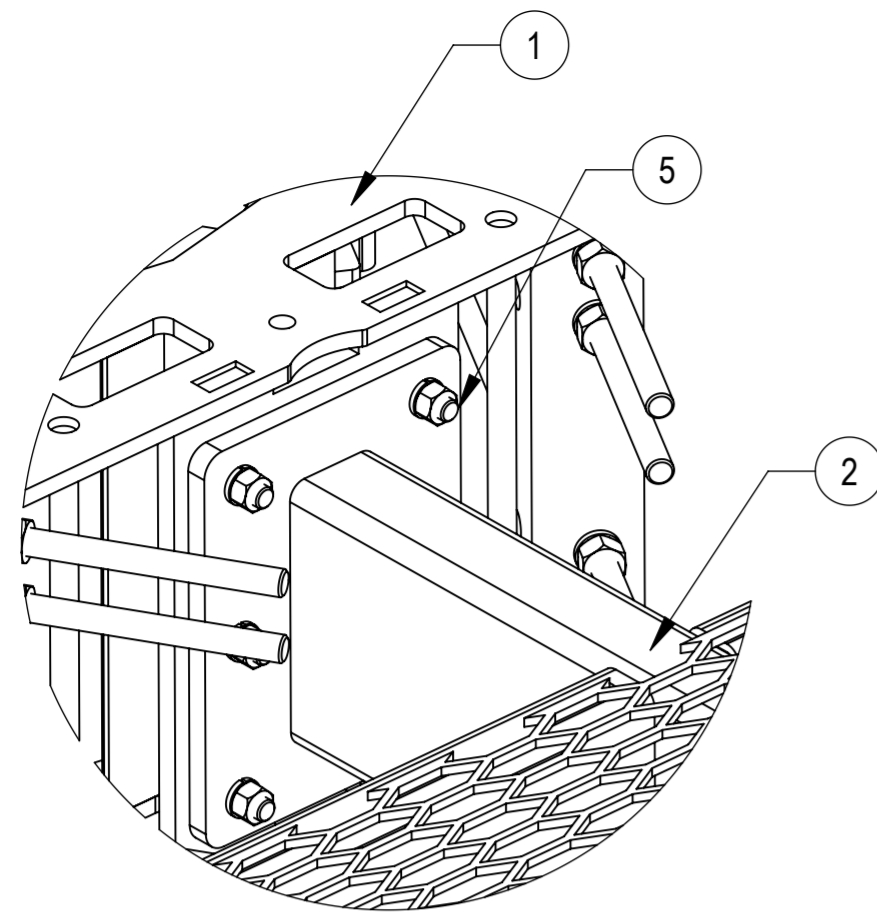
TOP LEVEL ZNSK COMPONENTS

PART NO.	DESCRIPTION	HARDWARE KIT	RING MOUNT	STEEL BUNDLE	PIPE BUNDLE	CORNER WELDMENT KIT
MC-PM10M-BNH	ATLAS,10',3S,W/HR,NO-ANT-PIPE	MC-PM-BCNH-HK	MC-RMHD-1245-3	MCPM-SB40	PB0610K	MC-MT195801-HK01
MC-PM12M-BNH	ATLAS,12',3S,W/HR,NO-ANT-PIPE	MC-PM-BCNH-HK	MC-RMHD-1245-3	MCPM-SB60	PB0612K	MC-MT19525-HK01
MC-PM14M-BNH	ATLAS,14',3S,W/HR,NO-ANT-PIPE	MC-PM-BCNH-HK	MC-RMHD-1245-3	MCPM-SB60	PB0614K	MC-MT19525-HK01

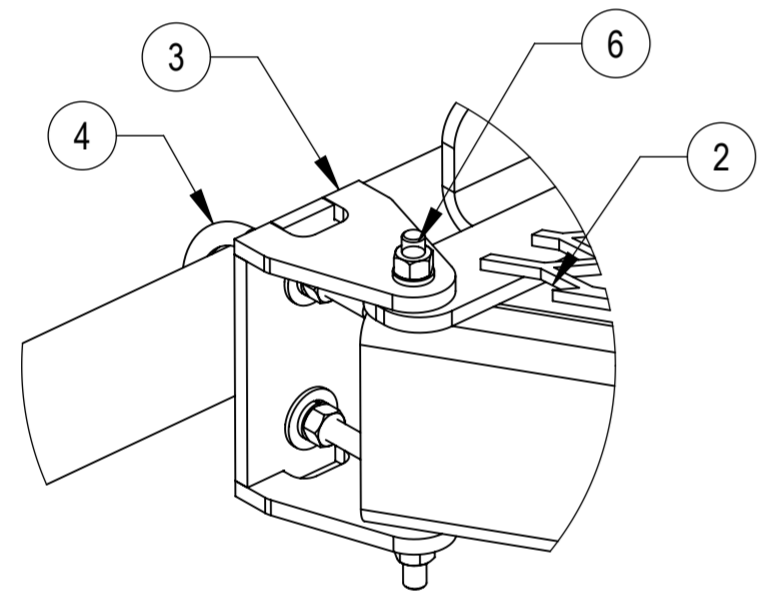
DENSITY	lbs/in ³
MASS	lbs
VOLUME	in ³
SURFACE AREA	in ²
DENSITY	g/mm ³
MASS	grams
VOLUME	mm ³
SURFACE AREA	mm ²
HEIGHT	
LENGTH	
WIDTH	

COMMSCOPE, INC. OF NORTH CAROLINA

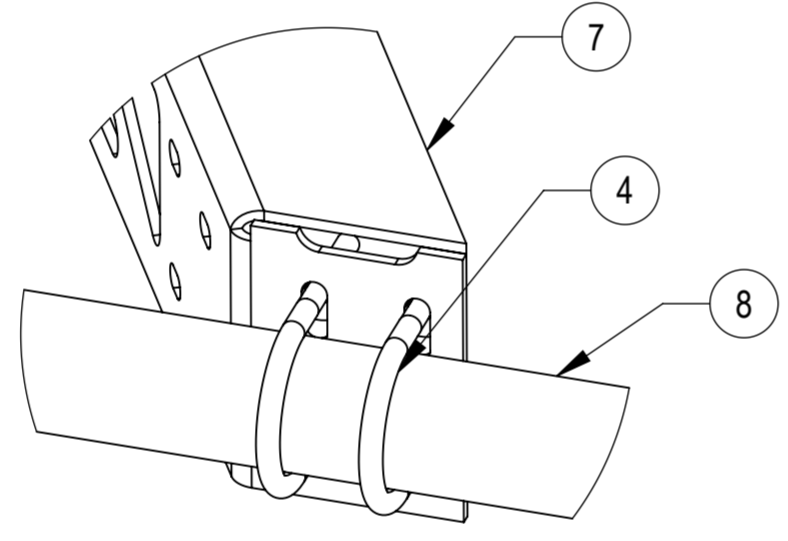
TOLERANCES		SAP MATERIAL MASTER	
0 PLACE	X[.X] ± 6[.25]	2 PLACE	.XX[.XXX] ± 1.50[0.060]
1 PLACE	.X[.XX] ± 3.0[0.12]	ANGLES	± 2°
FINISH		MATERIAL	
		MC-PMXXM-BNH	
UNLESS OTHERWISE SPECIFIED DIMENSIONS ARE IN MILLIMETERS INTERPRET PER ANSI Y 14.5M-1994	NAME	DATE	TITLE
	CE LS1146	04/28/2022	ATLAS PM PLATFORM SERIES
	RW LS1146	04/28/2023	
	AD XK1001	05/04/2023	SCALE
	RE LS1146	05/08/2023	DOCUMENT NO.
ECN 40167937CMO		MC-PMXXM-BNH	
SIZE	Auth Group	INSL	MODEL
A2	[Symbol]	[Symbol]	VERSION
			STATUS
00	RE	A	00
		REVISION	DRAWING
		A	RE
		REVISION	SHEET
		A	1 OF 5



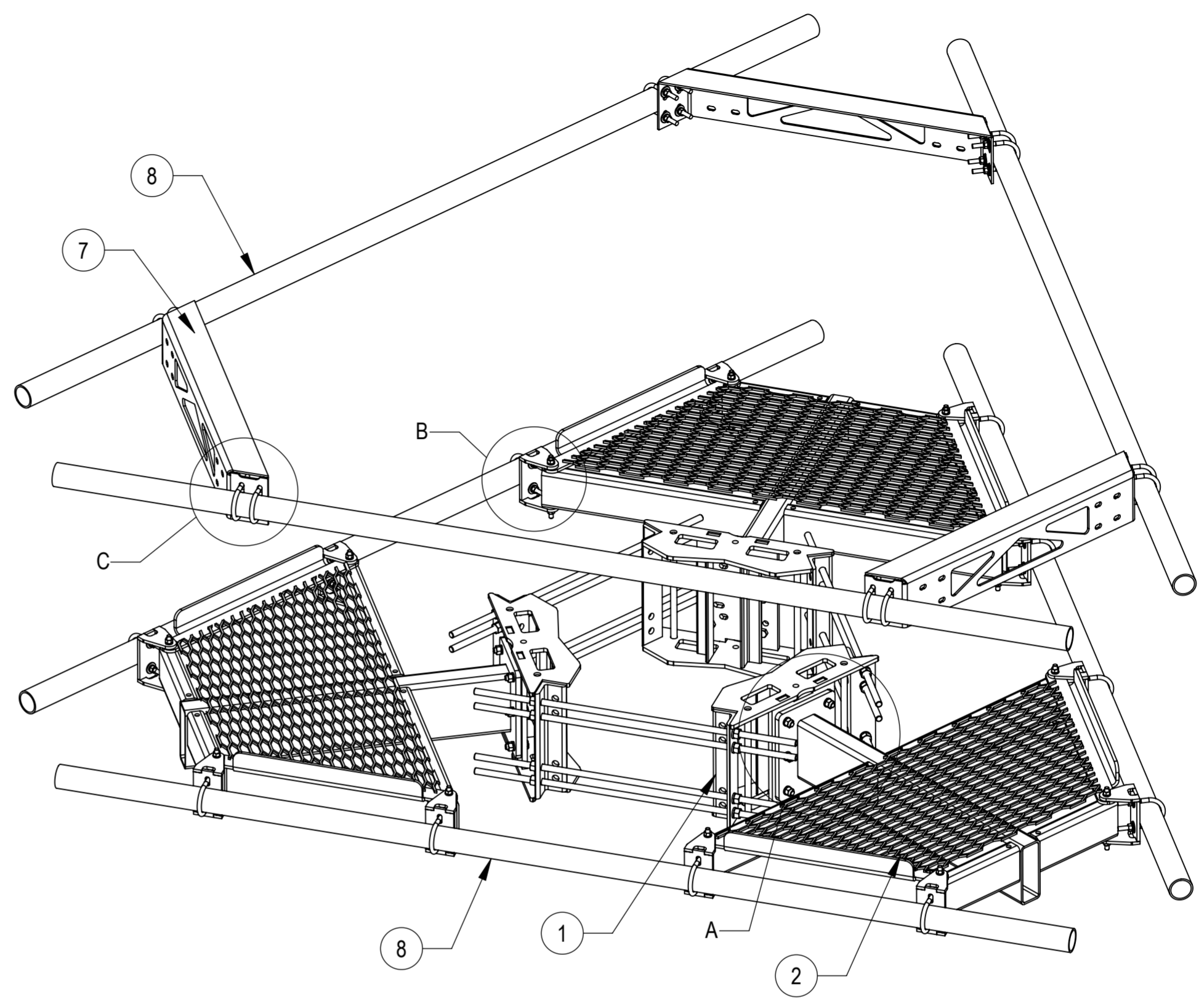
DETAIL A
SCALE 1 : 5



DETAIL B
SCALE 1 : 4



DETAIL C
SCALE 1 : 4

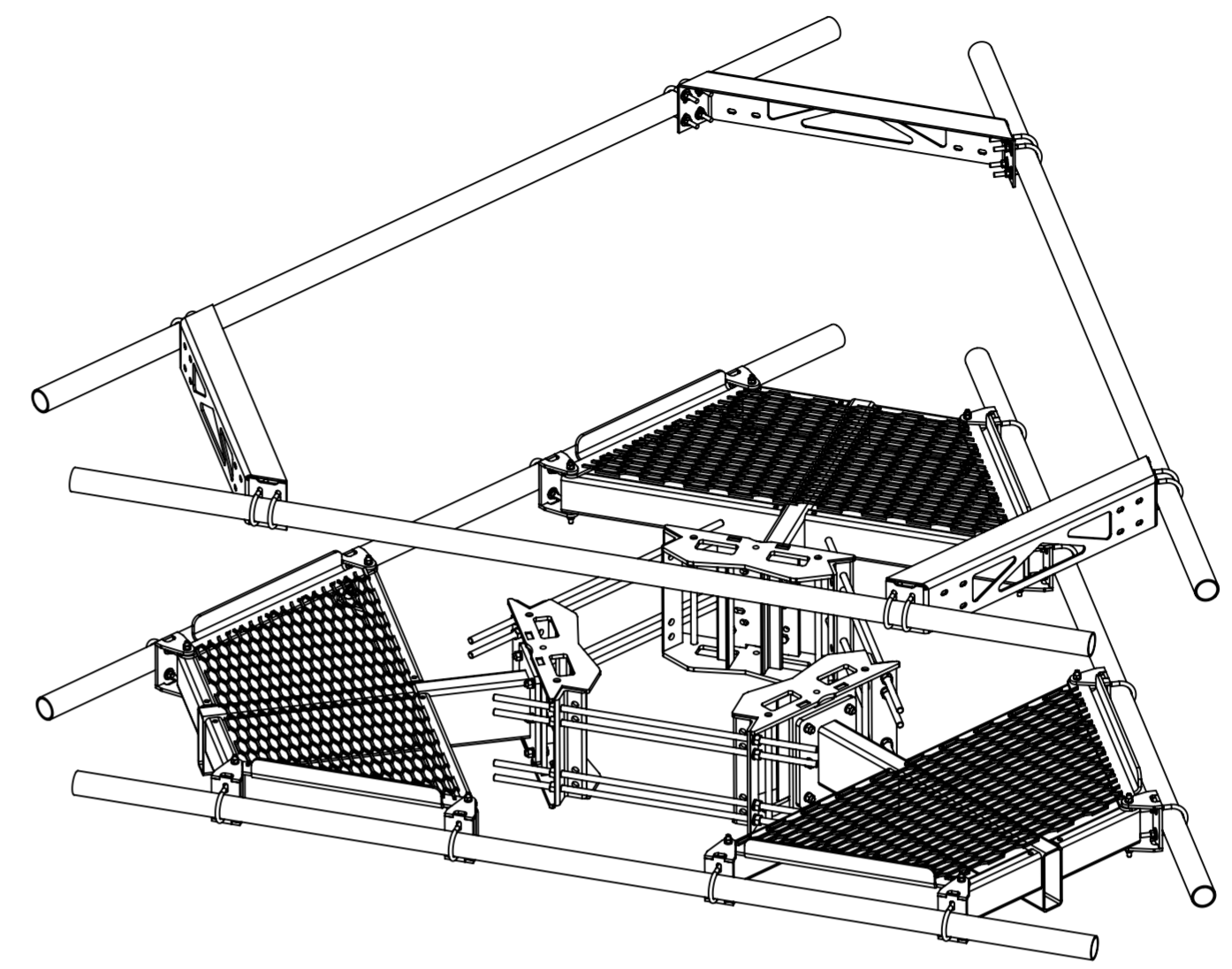
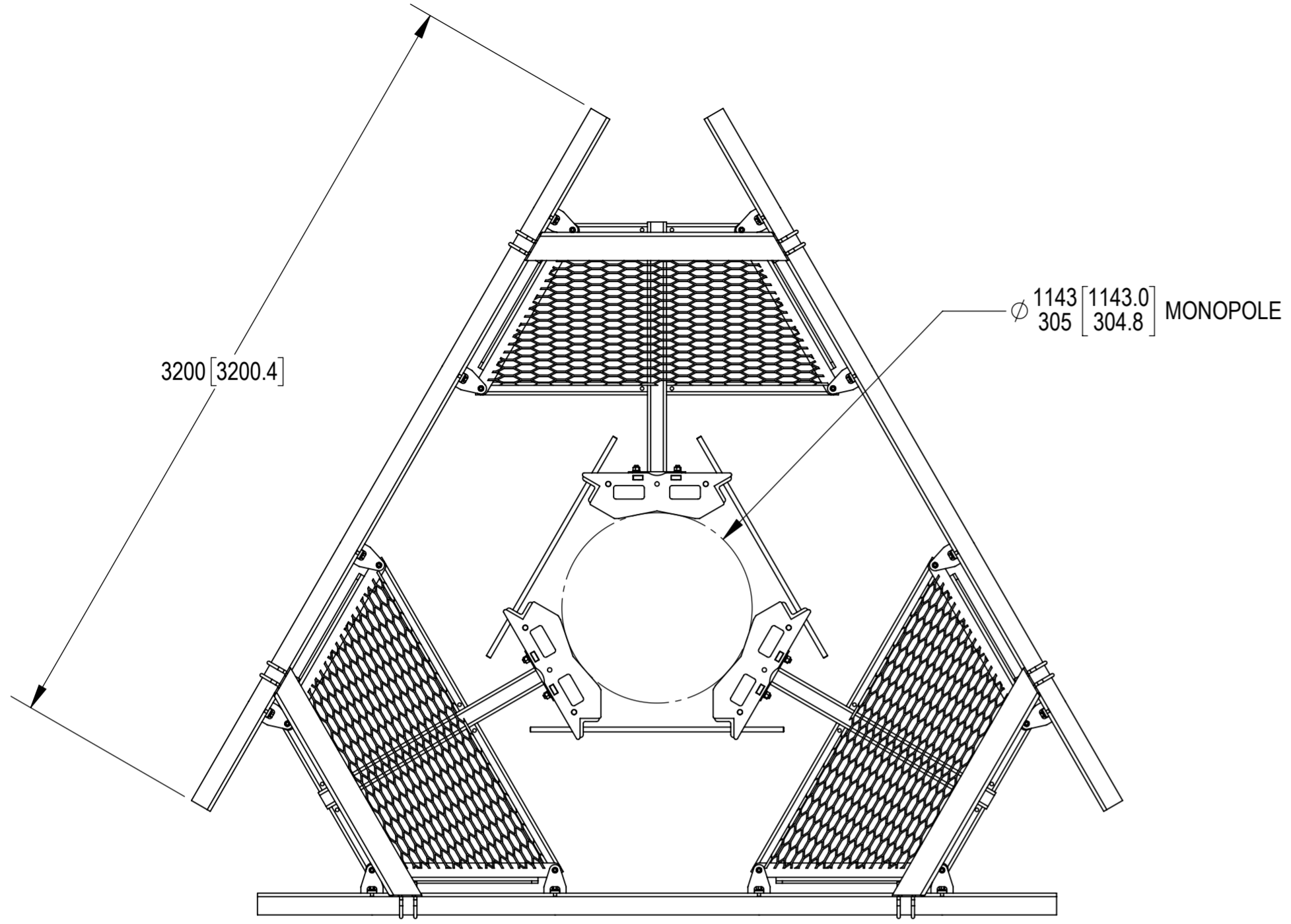


MC-PM10M-BNH SHOWN FOR REFERENCE
(NOT ALL CONFIGURATIONS INCLUDE ALL ITEMS SEE NOTES IN TABLE)

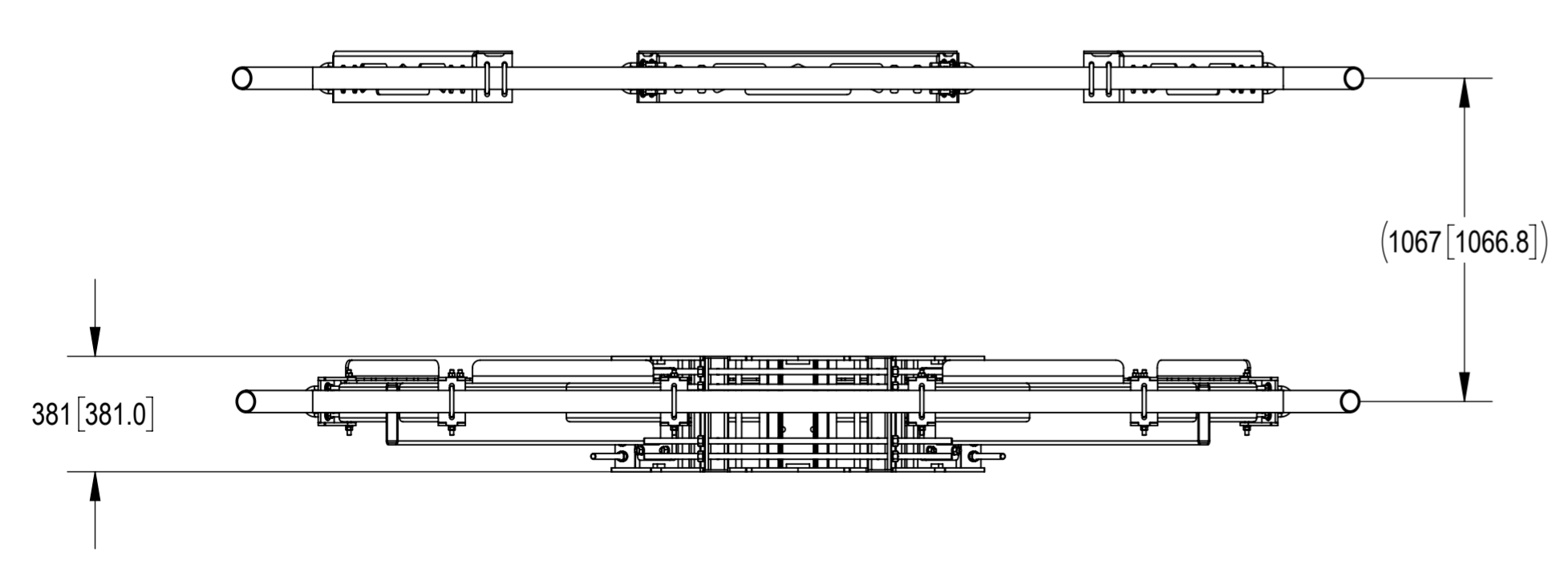
COMPONENT PART NUMBERS PROVIDED FOR ASSEMBLY PURPOSES;
INDIVIDUAL COMPONENTS MAY BE SHIPPED AS PARTS WITHIN AN INCLUDED KIT.

ITEM NO.	PART NUMBER	DESCRIPTION	QTY	WEIGHT	NOTE NO.
1	MC-RMHD-1245-3	3 SECTOR RING MOUNT, 12"-45" POLE	1	329.19 LBS	
2	MCPM-3000-00	WELDMENT, CO-LOCATION PLATFORM, 40"	3	193.84 LBS	FOR 12' & 14' CO-LOCATION PLATFORM USE MCPM-1000-00
3	MCPM-2000-00	BRACKET, PIPE MOUNTING	12	4.13 LBS	
4	GUB-4352	1/2" X 3" X 5-1/4" GALV U-BOLT	24	0.71 LBS	
5	GB-0522A	5/8" X 2-1/4" GALV BOLT KIT (A325)	18	0.28 LBS	
6	GB-04205	1/2" X 2" GALV BOLT KIT	24	0.16 LBS	
7	MT195801	CORNER WELDMENT SNUB NOSE HANDRAIL	3	26.94 LBS	FOR 12' & 14' CORNER WELDMENT USE MT19525
8	MT-546-126	PIPE, 2.875"OD X 126"	6	61.05 LBS	FOR 12' FACE PIPE USE MT-546-150 FOR 14' FACE PIPE USE MT-546-174

COMMSCOPE, INC. OF NORTH CAROLINA				
TITLE ATLAS PM PLATFORM SERIES				
SIZE A2	SCALE 1:16	DOCUMENT NO. MC-PMXXM-BNH		
		DRAWING		SHEET
		VERSION 00	STATUS RE	REVISION A
				2 OF 5



MC-PM10M-BNH SHOWN FOR REFERENCE
 (NOT ALL CONFIGURATIONS INCLUDE ALL ITEMS SEE NOTES IN TABLE)

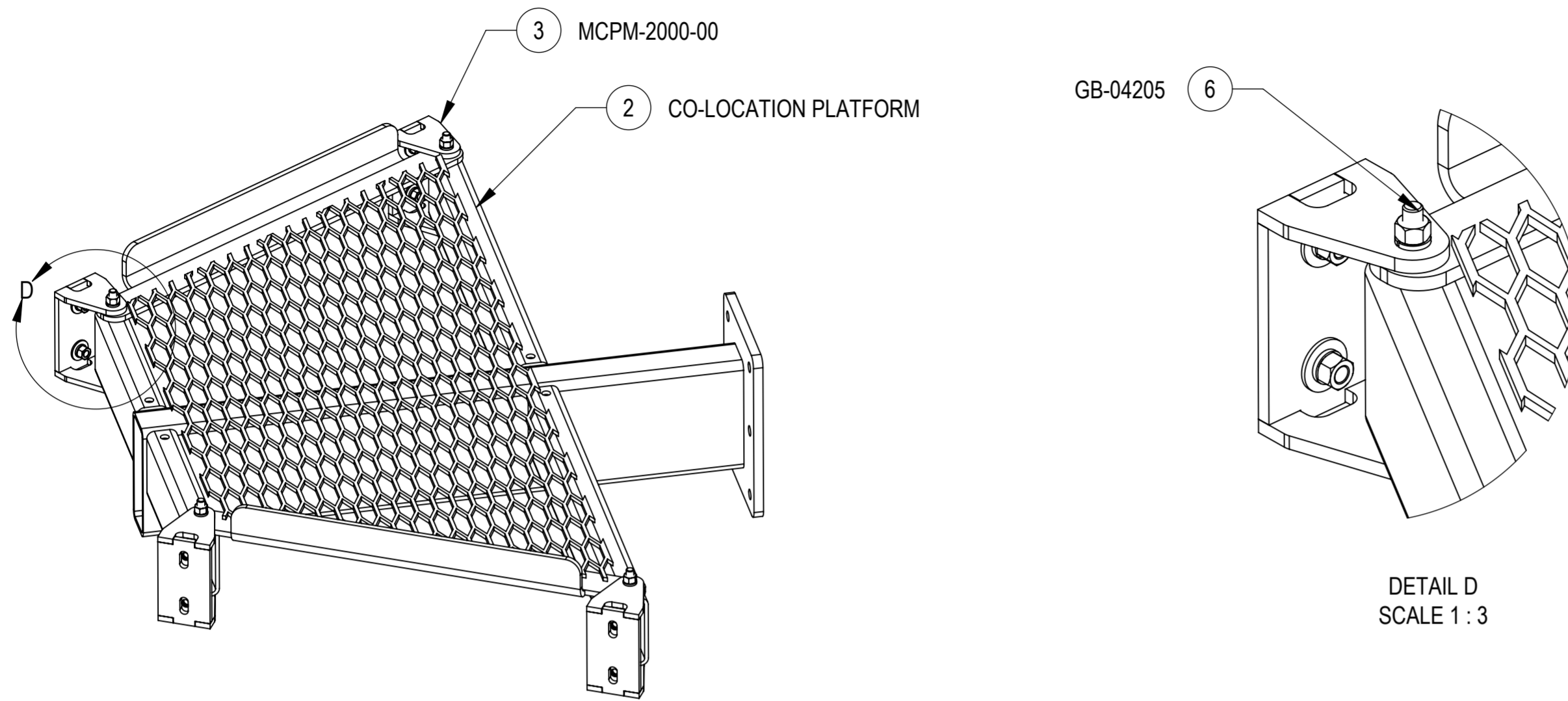


TOP
 ↓
 BOTTOM

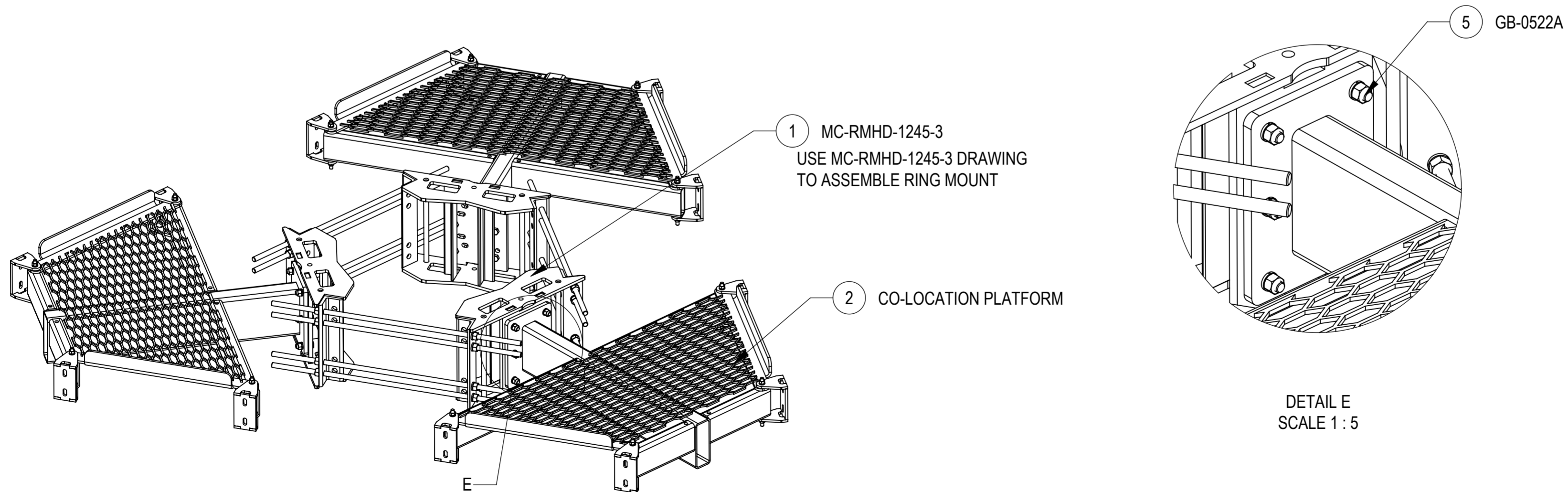
COMMSCOPE, INC. OF NORTH CAROLINA				
TITLE ATLAS PM PLATFORM SERIES				
SIZE A2	SCALE 1:16	DOCUMENT NO. MC-PMXXM-BNH		
		DRAWING		SHEET
		VERSION	STATUS	REVISION
		00	RE	A
				SHEET 3 OF 5

INSTALLATION SEQUENCE - REFERENCE ONLY

STEP 1: ATTACH PIPE MOUNTING BRACKETS (MCPM-2000-00) TO CO-LOCATION PLATFORM USING BOLT KITS (GB-04205).

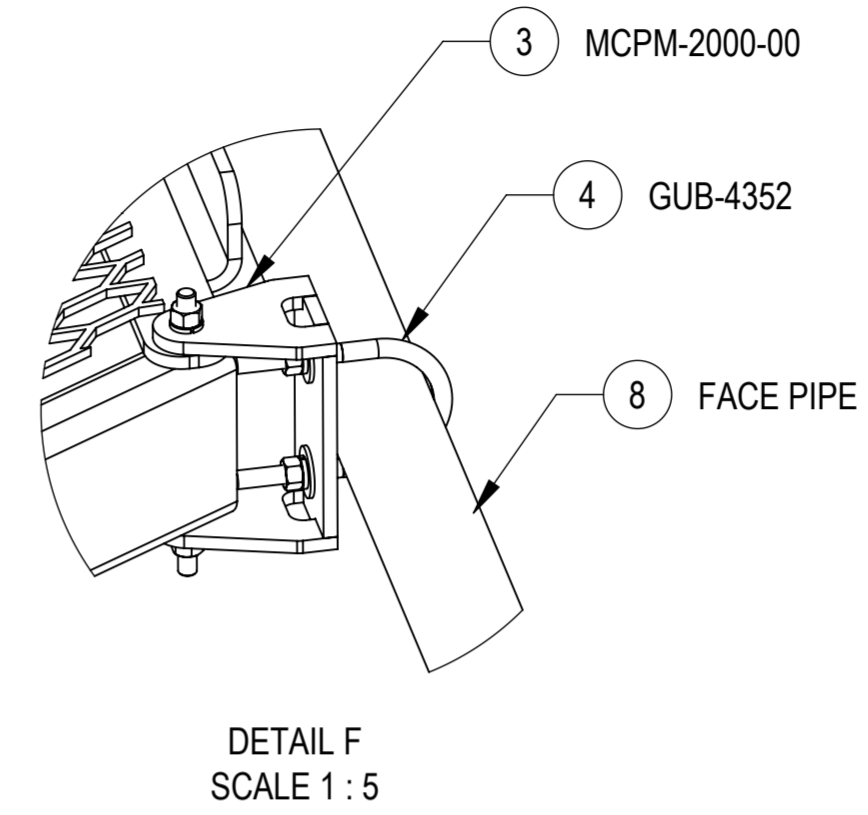
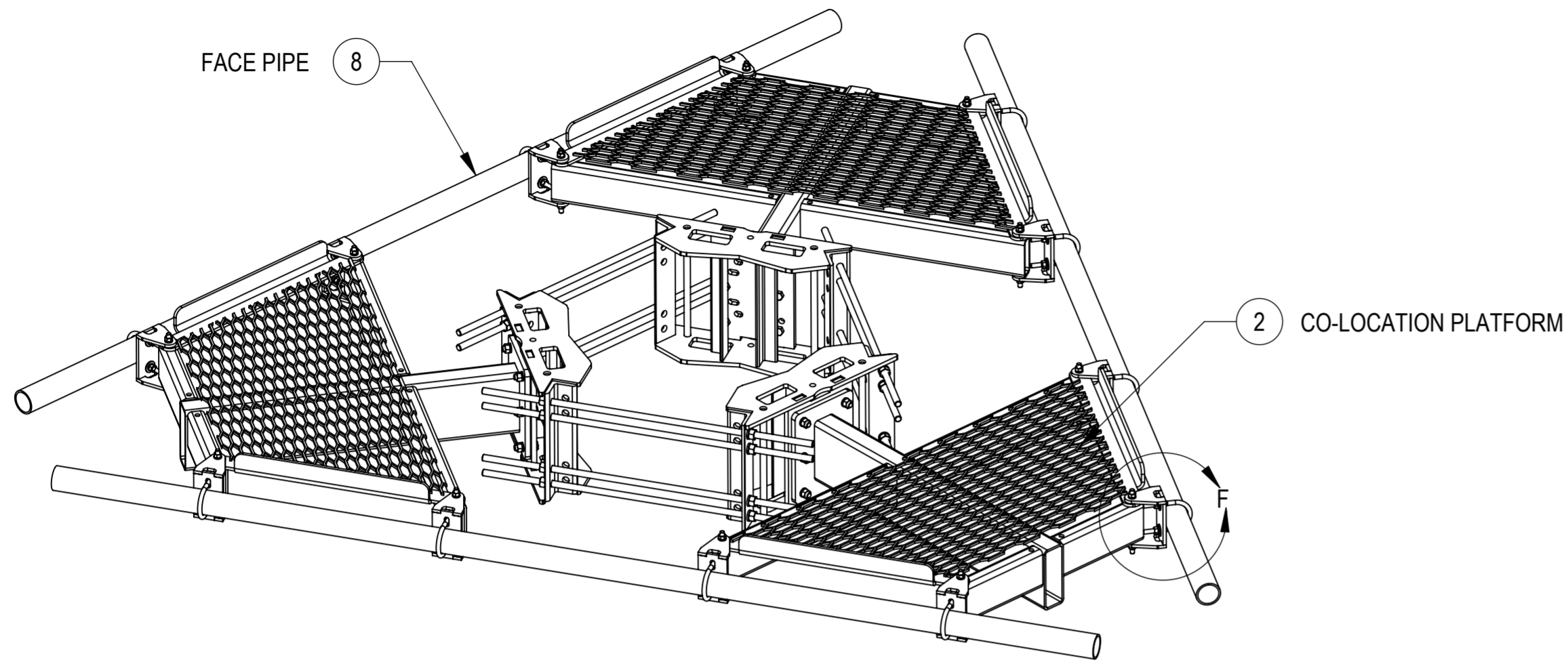


STEP 2: ATTACH CO-LOCATION PLATFORM TO RING MOUNT (MC-RMHD-1245-3) USING BOLT KITS (GB-0522A).

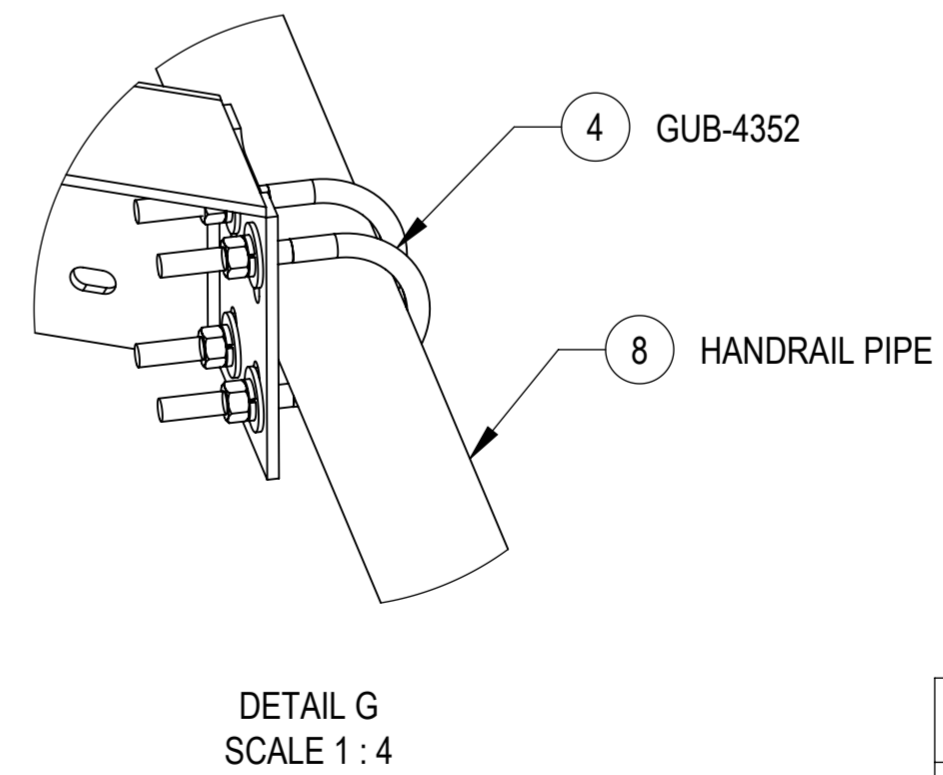
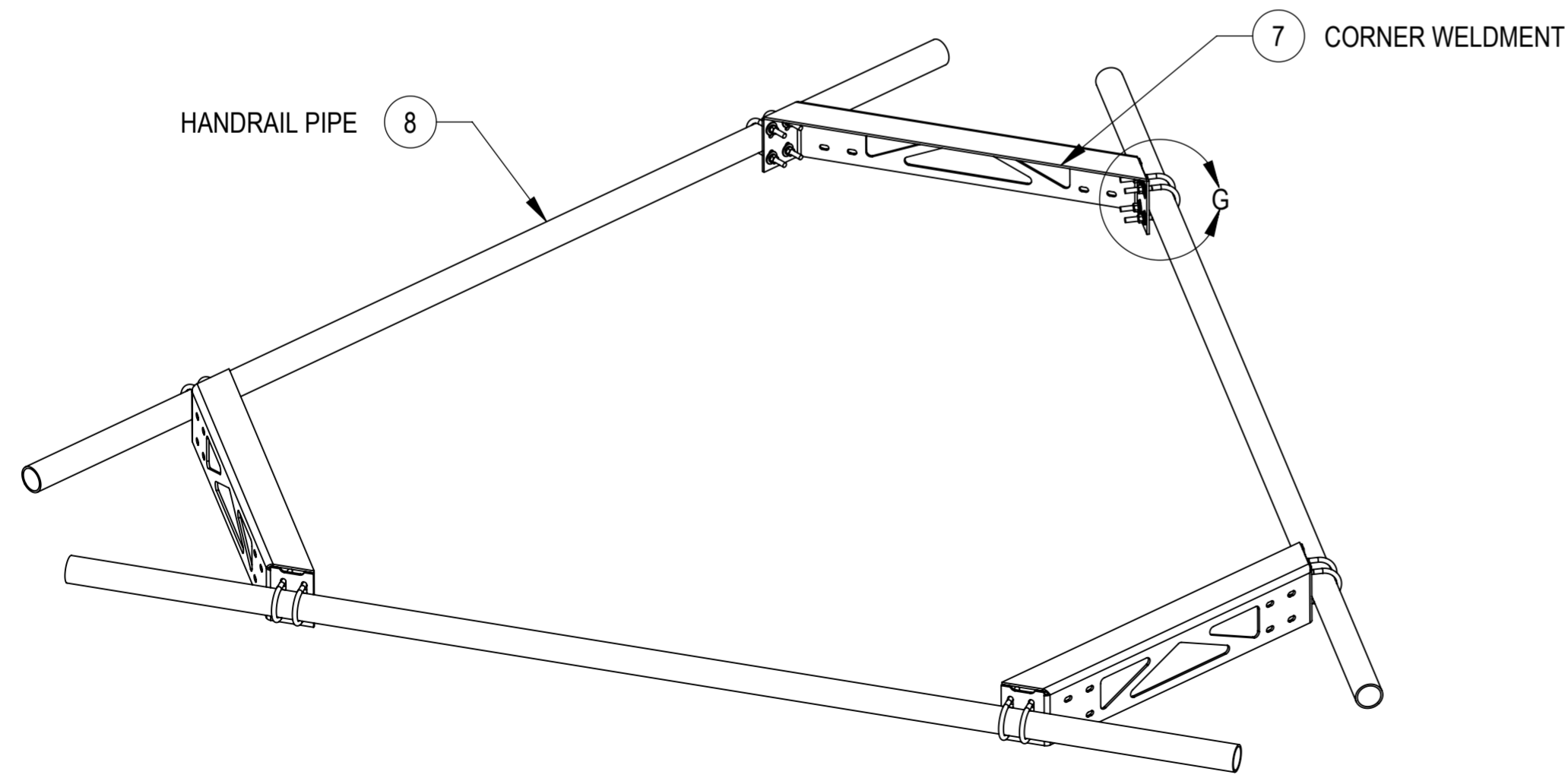


COMMSCOPE, INC. OF NORTH CAROLINA				
TITLE ATLAS PM PLATFORM SERIES				
SIZE A2	SCALE 1:16	DOCUMENT NO. MC-PMXXM-BNH		
		DRAWING		SHEET
		VERSION	STATUS	REVISION
		00	RE	A
				4 OF 5

STEP 3 : ATTACH 3X FACE PIPES TO CO-LOCATION PLATFORM USING U-BOLT KITS (GUB-4352).



STEP 4 : ATTACH 3X HANDRAIL PIPES TO CORNER WELDMENTS USING U-BOLT KITS (GUB-4352).



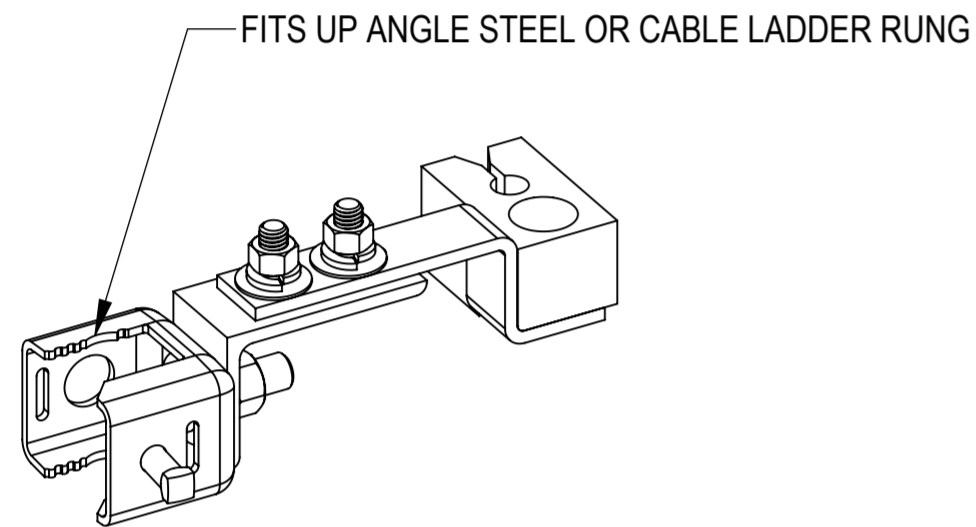
COMMSCOPE, INC. OF NORTH CAROLINA				
TITLE ATLAS PM PLATFORM SERIES				
SIZE A2	SCALE 1:16	DOCUMENT NO. MC-PMXXM-BNH		
		DRAWING		SHEET
		VERSION	STATUS	REVISION
		00	RE	A
				SHEET 5 OF 5

OPTIONAL ACCESSORIES

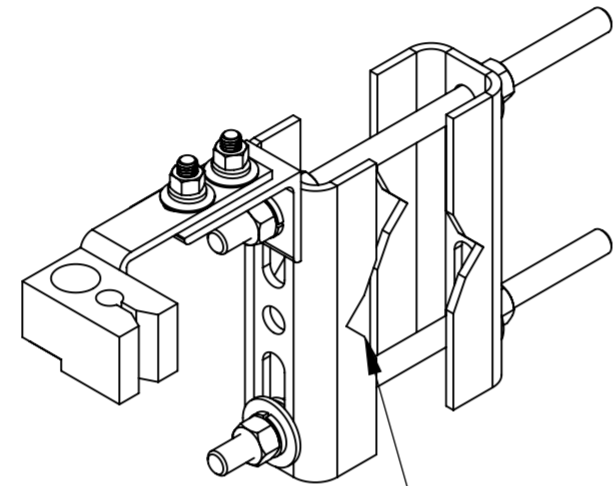
(ALL THE ACCESSORY ITEMS TO BE PURCHASED SEPARATELY)

REVISIONS			
REV.	DESCRIPTION	DATE	APPROVED
A	INITIAL RELEASE	YX1027 23FEB23	YW1045 40163777CMO

- 1.0 GENERAL NOTES
 - 1.1 ALL IMPERIAL DIMENSIONS ARE IN BRACKETS [X.XX]
- 2.0 DESIGN NOTES
- 3.0 MANUFACTURING/SPECIAL REQUIREMENTS
- 4.0 TEST
- 5.0 PACKAGING

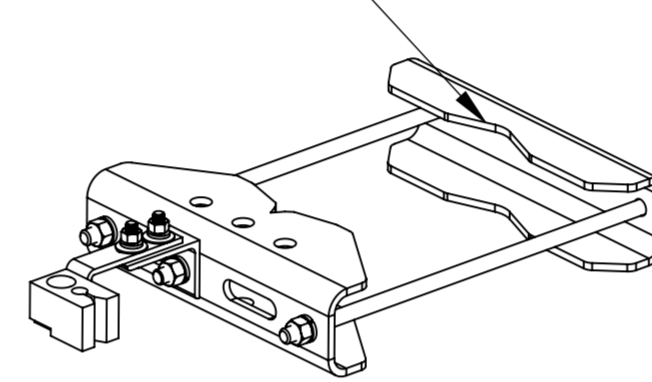


SCG-001

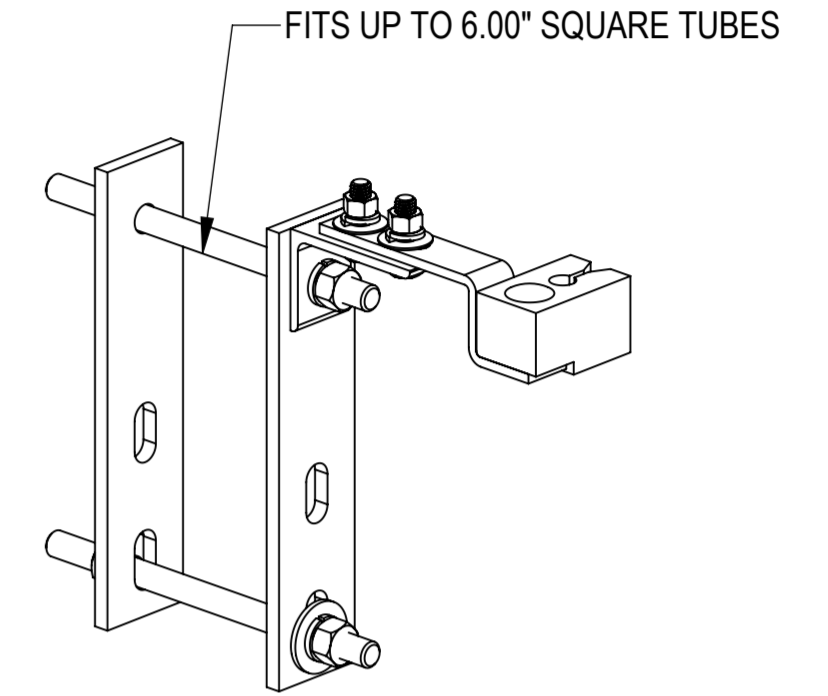


SCG-002

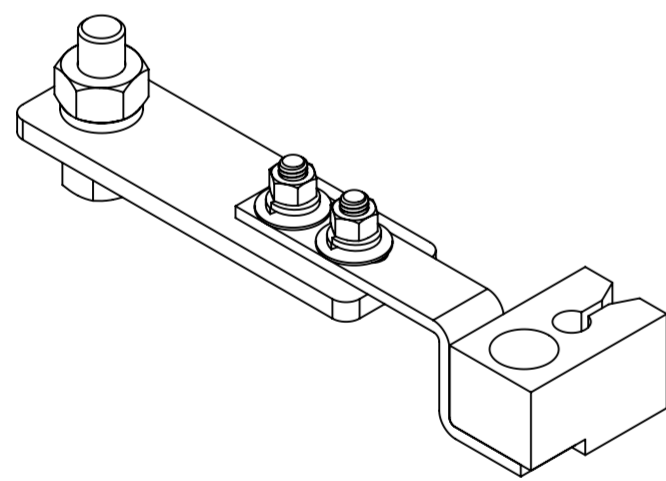
ROUND FOR 1.50"~ 8.00" IN DIAMETER
FOR 90 DEGREE ANGLES UP TO 6.00"
FOR 60 DEGREE ANGLES UP TO 8.00"



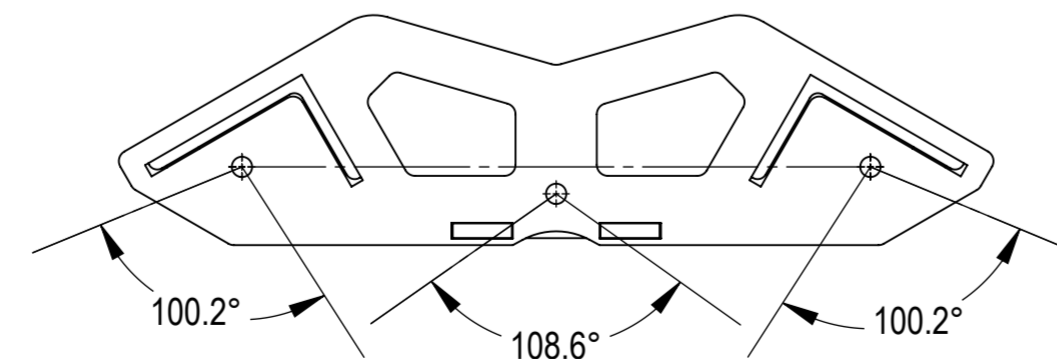
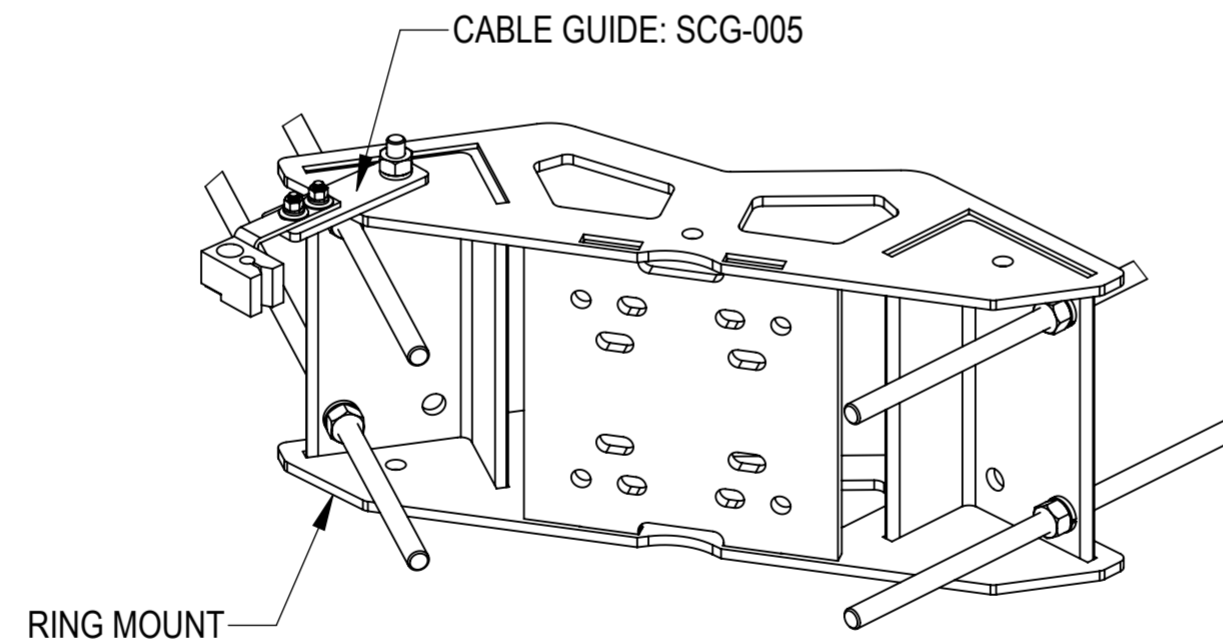
SCG-003



SCG-004



SCG-005



RING MOUNT SHOWN WITH CABLE GUIDE

COMMSCOPE, INC. OF NORTH CAROLINA									
TOLERANCES					SAP MATERIAL MASTER				
0 PLACE		X[.X] ± 6[0.25]		2 PLACE		.XX[.XXX] ± 1.50[0.06]			
1 PLACE		.X[.XX] ± 3.0[0.12]		ANGLES		± 2°			
FINISH					MATERIAL				
UNLESS OTHERWISE SPECIFIED DIMENSIONS ARE IN MILLIMETERS INTERPRET PER ANSI Y 14.5M-1994	NAME	DATE	TITLE						
	CE YX1027	23FEB23	CABLE GUIDE SERIES						
	RW YMENG	03/22/2023							
	AD BA1025	03/23/2023	SCALE		DOCUMENT NO.				
	RE YMENG	03/23/2023	1:1		SCG SERIES				
ECN 40163777CMO									
SIZE	Auth Group	INSL	MODEL	DRAWING			SHEET		
A2			VERSION	STATUS	REVISION	VERSION	STATUS	REVISION	1 OF 1
			00	RE	A	00	RE	A	