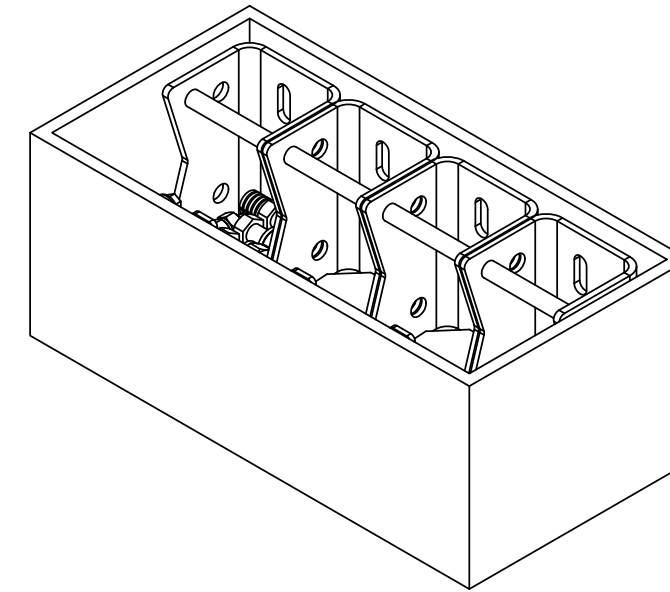


NOTES:

REVISIONS				
REV.	ECN	DESCRIPTION	BY	DATE
A		INITIAL RELEASE	AW	12/16/04
B		ADD BALLOONS	ACG	08/01/07
C	8000012645	CHG BOM, ADD PACKING	CEB	2/24/2016



ITEM	PART NO.	DESCRIPTION	QTY.	WEIGHT	NOTE NO.
1	CR2080A	WOOD CRATE 19"x9"x7-1/2" ID	1	6.42 LBS	
2	CM.01	CHAINMOUNT ANCHOR	4	5.85 LBS	
3	CM.03	CHAIN LOCK	4	0.20 LBS	
4	CM.04	1/2" X 6" Under Jaw Turnbuckle	4	0.66 LBS	
5	CMH30BHB	HARDWARE BAG FOR CM-H30-B	1	1.82 LBS	
6	CHAIN	CHAIN, 1/4" G-40 (SEE TABLE)	4	-	
7	DOCUMENT RECORD	INSERT DRAWING CM-H SERIES INTO CRATE	1	-	

PART NUMBER	WEIGHT	PIPE MOUNT	QTY	CHAIN	CHAIN LENGTH
CM-H30-B	52.12	NONE	0	G4-0-96	8ft
CM-H30-63	116.62	MT-395	1	G4-0-96	8ft
CM-H60-B	76.12	NONE	0	G4-0-192	16ft
CM-H60-63	140.62	MT-395	1	G4-0-192	16ft

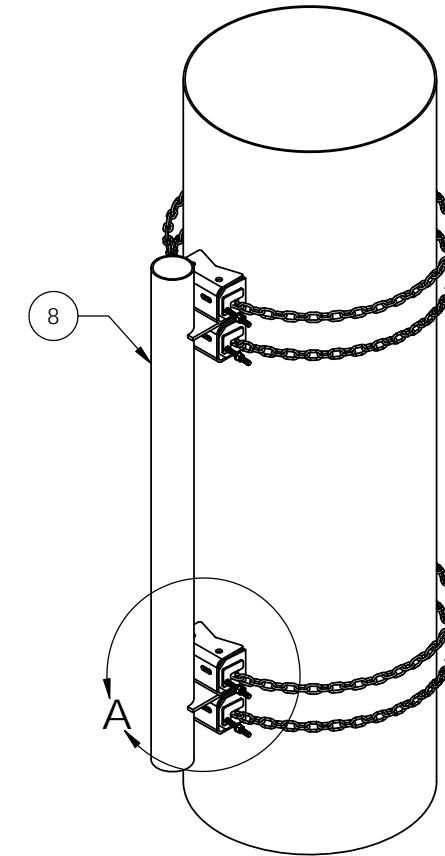
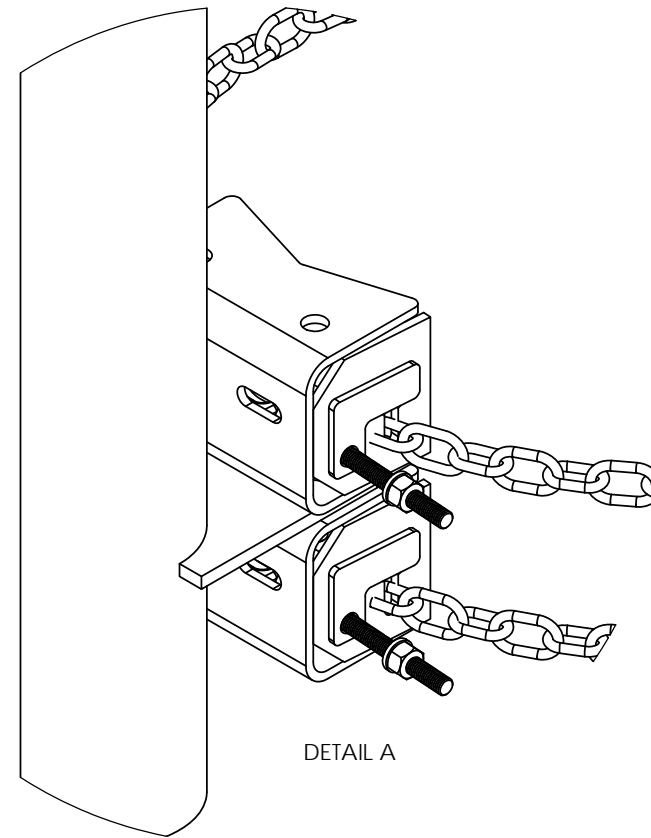
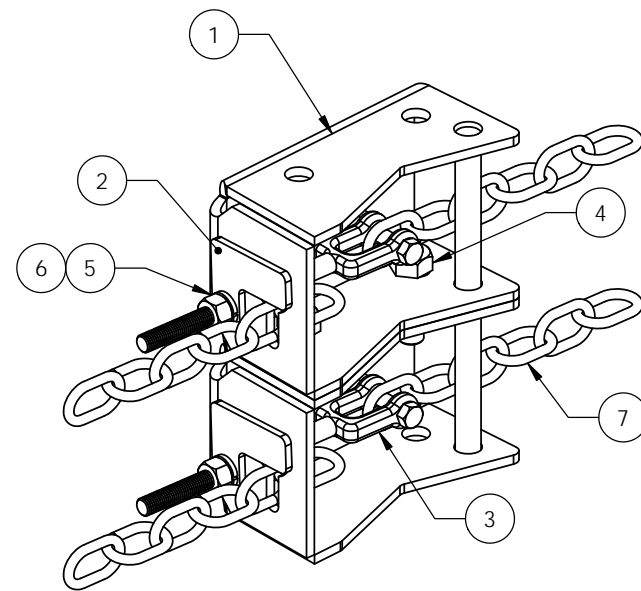
COMMScope, INC. OF NORTH CAROLINA

TOLERANCES		SAP MATERIAL MASTER	
0 PLACE X ± .25	2 PLACE .XX ± .03	CM-H SERIES	
1 PLACE X ± .06	ANGLES ± 2°		
FINISH		MATERIAL	
GALV A123		A36	
UNLESS OTHERWISE SPECIFIED, DIMENSIONS ARE IN MILLIMETERS. INTERPRET PER ISO STANDARDS. HANDBOOK: TECHNICAL DRAWINGS, VOLUMES 1 & 2, THIRD EDITION (2002)		TITLE	
CE	AW	12/16/04	HEAVY DUTY CHAIN MOUNT
RV			
AD			
RE	TP	12/16/04	
ECN	8000012645	SCALE	DOCUMENT NO.
		1:4	CM-H SERIES
SIZE	WORK AREA	MODEL	DRAWING
C		VERSION	STATUS
		REVISION	VERSION
			STATUS
			REVISION
			C
			SHEET
			1 OF 2

NOTES: 1.0 ATTACH THE PIPES OR PIPE MOUNTS TO THE BRACKETS PRIOR TO ADDING THE JAW-BOLT/CHAIN ASSEMBLY.

ITEM	PART NO.	DESCRIPTION	QTY.	WEIGHT	NOTE NO.
1	CM.01	CHAINMOUNT ANCHOR	4	5.85 LBS	
2	CM.03	CHAIN LOCK	4	0.20 LBS	
3	CM.04	1/2" RIGHT HAND THREAD JAW	4	0.54 LBS	
4	GWL-04	1/2" GALV LOCK WASHER	4	0.01 LBS	
5	GN-04	1/2" GALV HEX NUT	4	0.04 LBS	
6	GB-0520A	5/8" X 2" GALV BOLT KIT (A325)	4	0.26 LBS	
7	G4-0-XXX	G-40 CHAIN (SEE TABLE)	4	-	
8	MT-XXX	PIPE MOUNT (SEE TABLE)	SEE TABLE	-	

PART NUMBER	WEIGHT	PIPE MOUNT	QTY	CHAIN	CHAIN LENGTH
CM-H30-B	52.12	NONE	0	G4-0-96	8ft
CM-H30-63	116.62	MT-395	1	G4-0-96	8ft
CM-H60-B	76.12	NONE	0	G4-0-192	16ft
CM-H60-63	140.62	MT-395	1	G4-0-192	16ft



COMMSCOPE, INC. OF NORTH CAROLINA

TITLE

HEAVY DUTY CHAIN MOUNT

SIZE
C

SCALE
1:1

DOCUMENT NO.
CM-H SERIES



DRAWING		
VERSION	STATUS	REVISION
		C

SHEET
2 OF 2