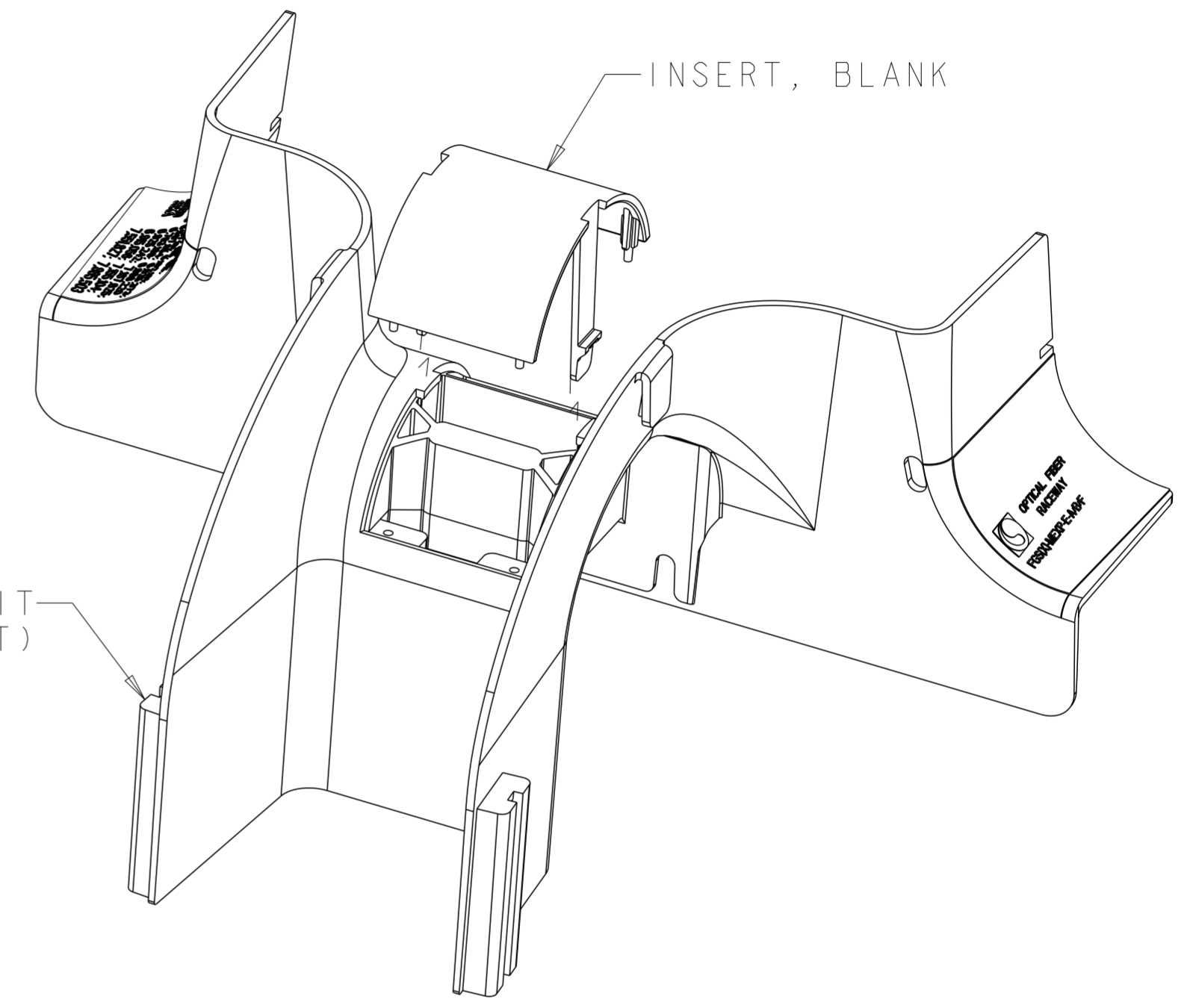
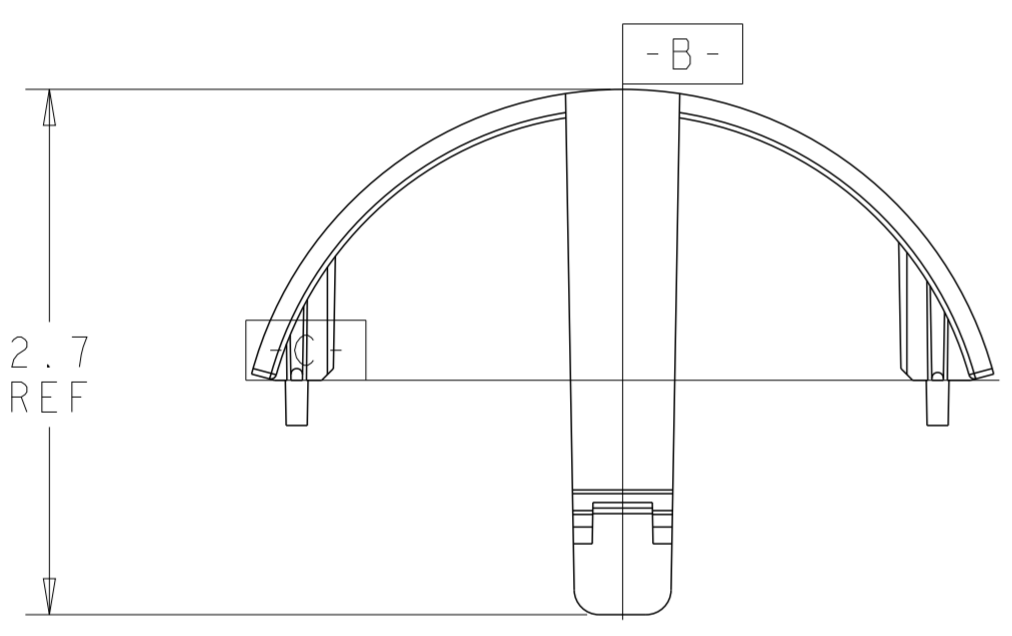
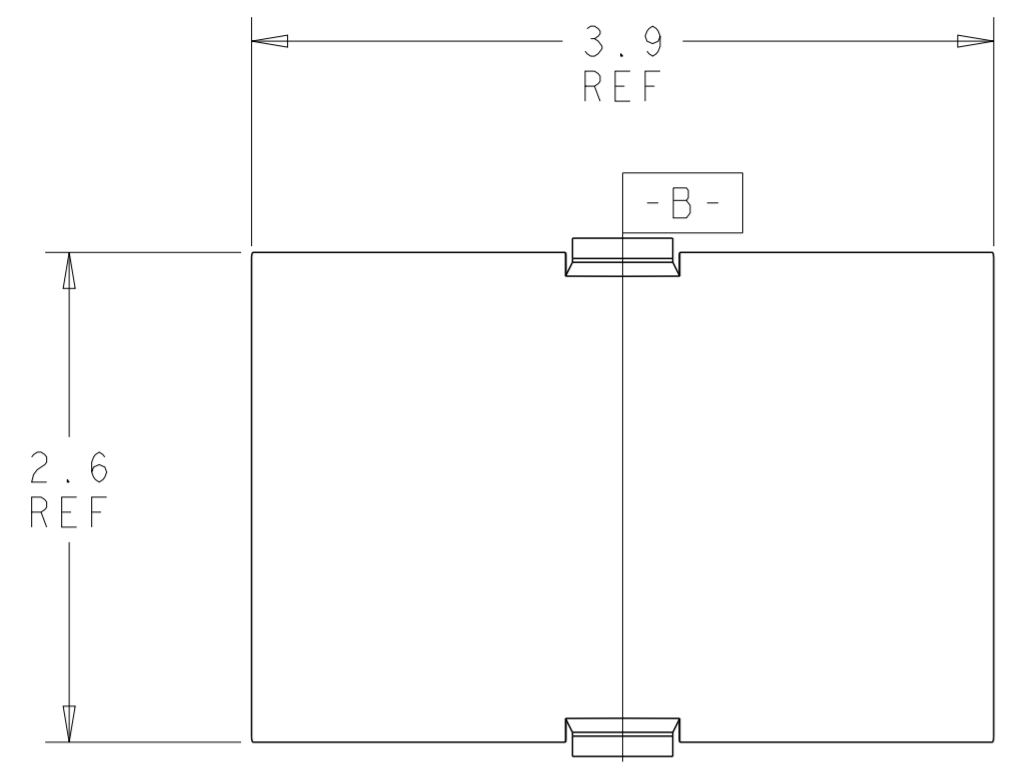


REVISIONS			
REV	CMO	DATE	APPROVED
A	40126620CMO	19-MAR-2021	RAT
B	40169284CMO	19-MAY-2023	JDG



COMPONENT LIST	
DESCRIPTION	QTY
INSERT, BLANK REMOVABLE	10

INSTALLATION INSTRUCTIONS:

1. INSTALL REMOVEABLE INSERT BLANK BY DEPRESSING TABS AND SLIDING INTO PLACE WHILE ALIGNING PINS. IF PINS DO NOT MATCH HOLES, ROTATE INSERT 180°; HOLES ARE OFFSET TO PROVIDE CORRECT PLACEMENT.

FGS-ACC001	YELLOW
FGSB-ACC001	BLACK
MID	REV

COMMSCOPE, INC.			
DRAFTER RUBEN ARVILLA		TITLE INST DWG, FGS, BLANK REMOV 10 PCS KIT	
ENGINEER RUBEN ARVILLA		SIZE A2	SCALE 0.250
		DOCUMENT NO. 660105394	
CUSTOMER DRAWING			REVISION B
			SHEET 1 OF 1