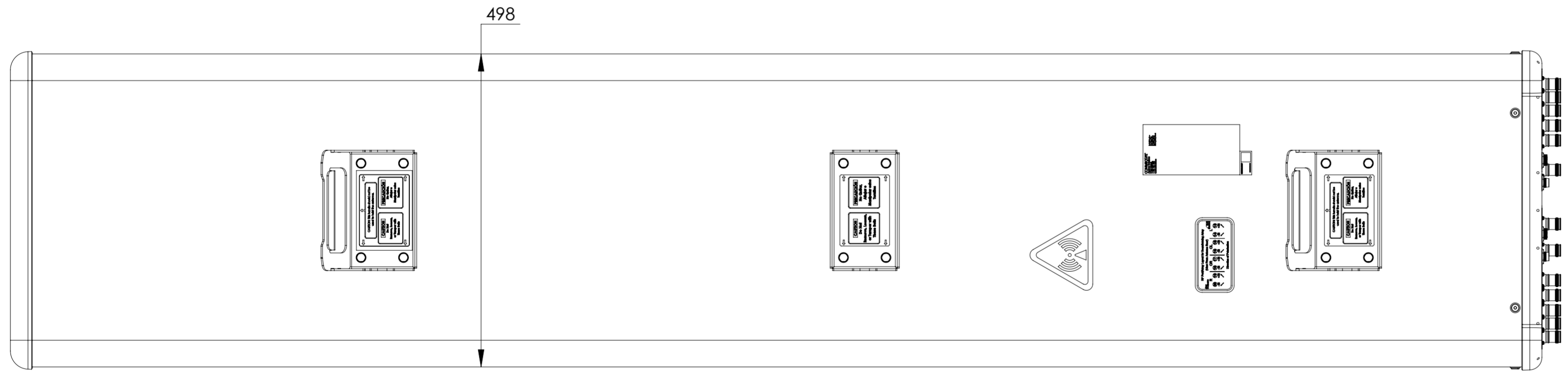
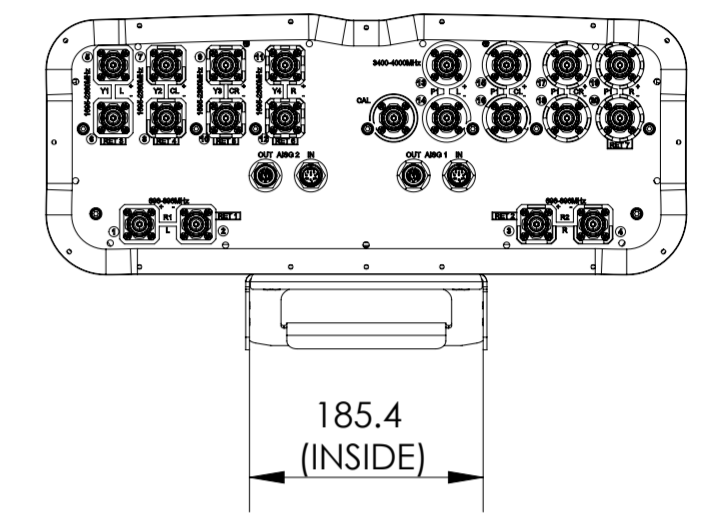
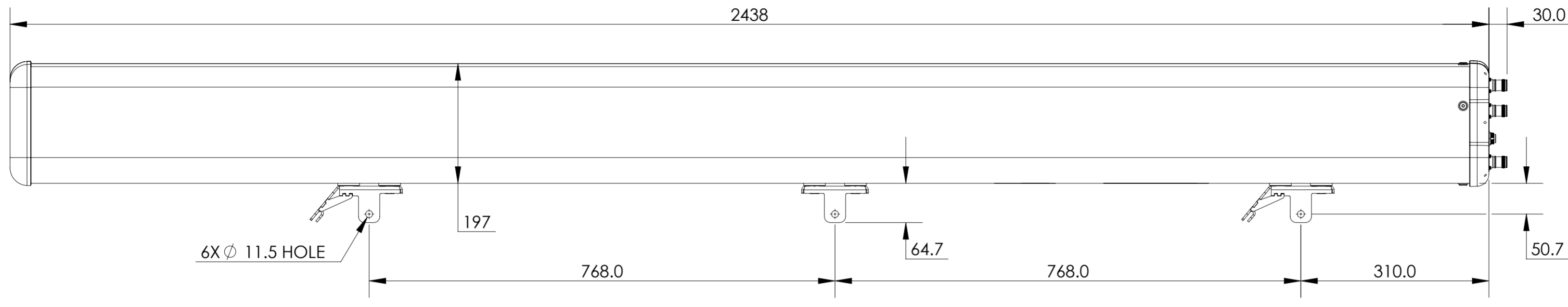


REVISIONS			
REV.	DESCRIPTION	DATE	APPROVED
A	ECR 8000042865: RELEASE TO PRODUCTION PER EAO 609020.	28JAN21 GB	KR/KV
B	ECR 11885: MODEL UPDATED.	26APR21 GB	KR/KV
C	ECR 12331PC: UPDATE DRAWING WITH LATEST MODEL.	14MAY21 CN	ZYL/XL
D	ECR 15585PC: UPDATE DRAWING WITH LATEST MODEL.	25OCT21 SL	DM.WANG/WFW
E	ECR 40152755CMO: UPDATE DRAWING WITH LATEST MODEL.	17AUG22 RY	DM.WANG/WFW



NNH4S4-65C-R7

**COMMSCOPE, INC. OF NORTH CAROLINA**

TOLERANCES		SAP MATERIAL MASTER	
0 PLACE X ±	2 PLACE .XX ±		
1 PLACE .X ±	ANGLES ±		
FINISH		MATERIAL	
<small>UNLESS OTHERWISE SPECIFIED DIMENSIONS ARE IN MILLIMETERS INTERPRET PER ISO STANDARDS HANDBOOK 1 TECHNICAL DRAWINGS VOLUMES 1 &amp; 2, THIRD EDITION (2002)</small>		NAME	DATE
		CE GBANDEKAR	01/28/21
		RW RY1017	08/16/2022
		RV	
AD DW1030	08/18/2022	<b>PRODUCT DRAWING</b>	
RE NC1020	08/19/2022		
ECN 40152755CMO		SCALE	DOCUMENT NO.
		<b>1:6</b>	<b>NNH4S4-65C-R7-L</b>
SIZE	WORK AREA	BSA	MODEL
<b>A2</b>			VERSION STATUS REVISION
			06 RE G
HEIGHT		DRAWING	
LENGTH		VERSION STATUS REVISION	VERSION STATUS REVISION
WIDTH		04 RE E	04 RE E
			SHEET
			1 OF 1