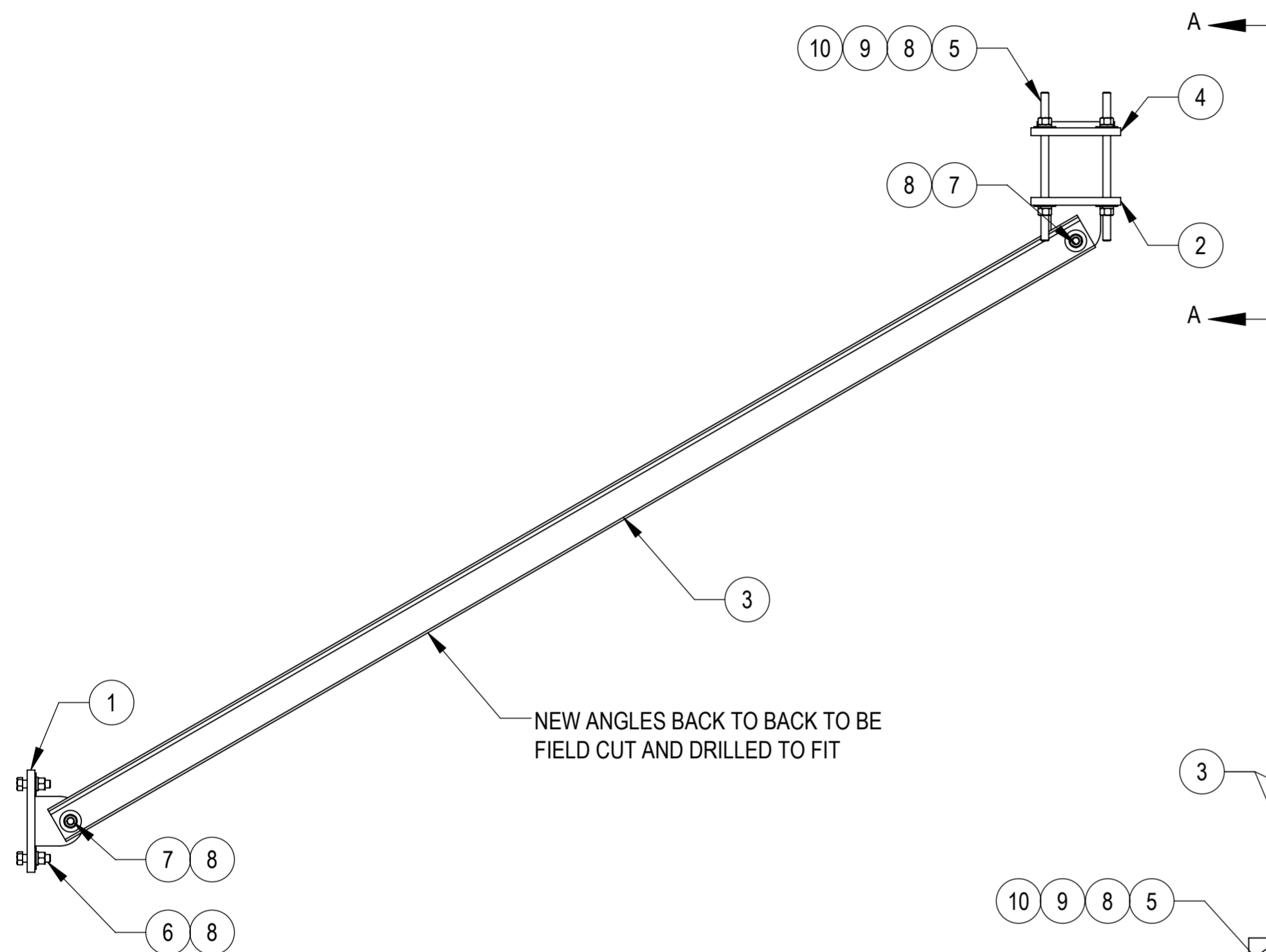


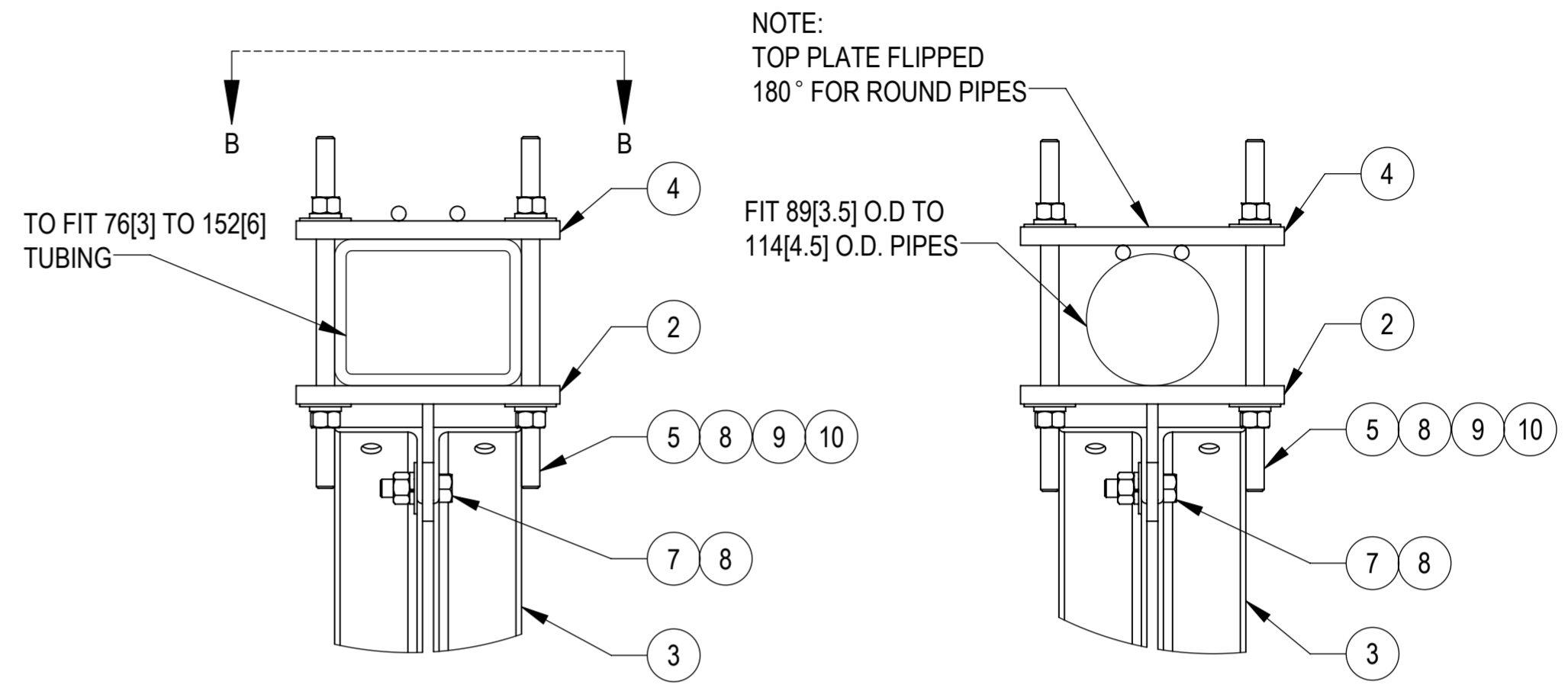
- 1.0 GENERAL NOTES  
 1.1 ALL IMPERIAL DIMENSIONS ARE IN BRACKETS [X.XX]  
 1.2 MARK PART WITH IDENTIFICATION NUMBER  
 2.0 DESIGN NOTES  
 3.0 MANUFACTURING/SPECIAL REQUIREMENTS  
 3.1 TIGHTEN ALL BOLTS SECURING FLAT PLATES BY THE TURN-OF-NUT METHOD. TIGHTEN ALL U-BOLTS USING TURN-OF-NUT METHOD WITH ATTENTION TO LEAVE EQUAL DISTANCE AND EQUAL FORCE ON EACH LEG OF THE U-BOLT.  
 4.0 TEST  
 5.0 PACKAGING  
 5.1 PACKAGING SHALL MEET COMMSCOPE REQUIREMENTS PER DOCUMENT IS-PL-3005  
 5.2 PRINTED DOCUMENT TO BE PLACED INSIDE POLYBAG AND THEN IN SHIPPING CONTAINER  
 5.3 EXTRA HARDWARE MAYBE SUPPLIED, BAGGED AND SHIPPED

REVISIONS			
REV.	DESCRIPTION	DATE	APPROVED
A	INITIAL RELEASE	JL1183 16MAR23	JAHAINES 40168212CMO



NEW ANGLES BACK TO BACK TO BE FIELD CUT AND DRILLED TO FIT

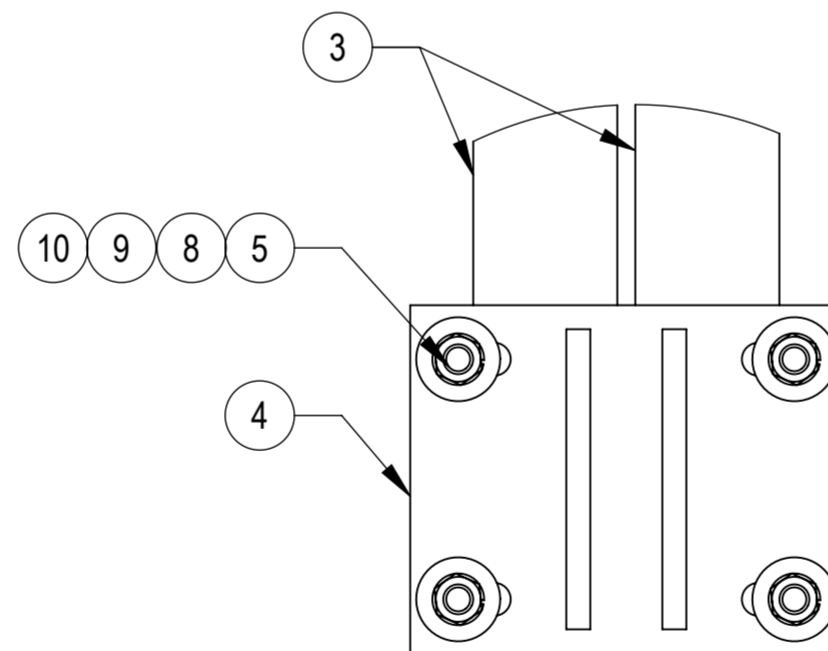
REFERENCE FOR ONE-SIDED VIEW  
 USE SAME PARTS FOR THE OTHER SIDES



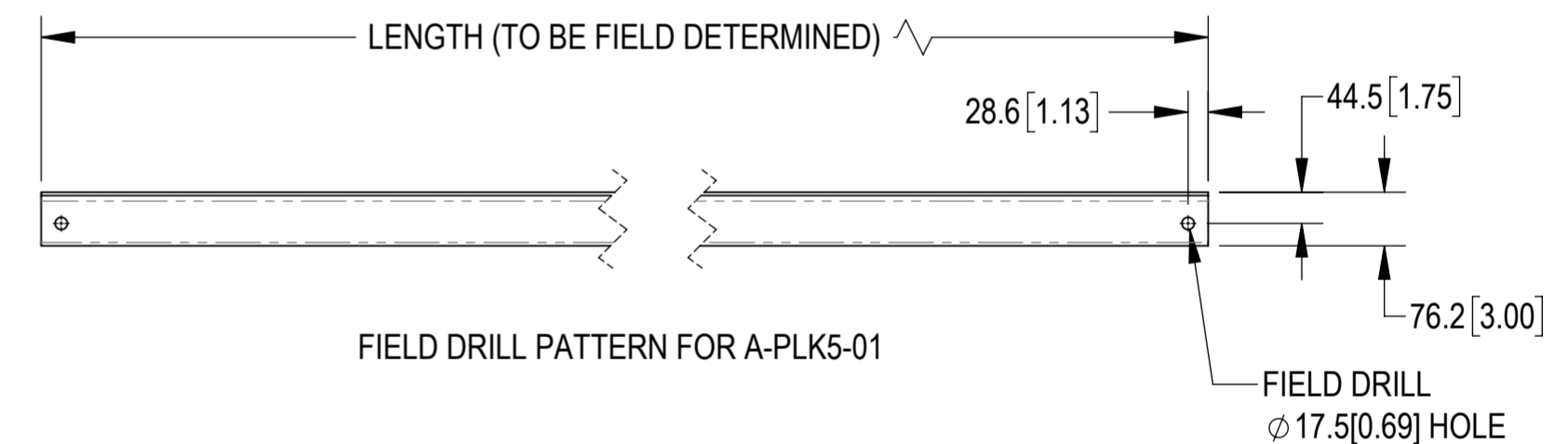
NOTE:  
 TOP PLATE FLIPPED  
 180° FOR ROUND PIPES

SECTION A-A  
 SCALE 1 : 5  
 RECT. HSS MOUNTING

SECTION A-A  
 SCALE 1 : 5  
 ROUND PIPE MOUNTING



SECTION B-B  
 SCALE 1 : 4



FIELD DRILL PATTERN FOR A-PLK5-01

COMPONENT PART NUMBERS PROVIDED FOR ASSEMBLY PURPOSES;  
 INDIVIDUAL COMPONENTS MAY BE SHIPPED AS PARTS WITHIN AN INCLUDED KIT.

ITEM NO.	PART NO.	DESCRIPTION	QTY.	NOTE NO.
1	PLK5-F3	WELDMNT, BRACKET RM	4	
2	PLK5-F2	WELDMNT, BRACKET	4	
3	A-PLK5-01	ANGLE 3"X 3" X 3/16"	8	
4	PLK8-F2-3	WELDMNT, BOTTOM MOUNTING PLATE	4	
5	MT-381	5/8" X 12" GALV THREADED ROD	16	
6	GB-0522A	5/8" X 2-1/4" GALV BOLT KIT (A325)	16	INCLUDED BOLT, LOCK WASHER AND NUT
7	GB-0520A	5/8" X 2" GALV BOLT KIT (A325)	8	INCLUDED BOLT, LOCK WASHER AND NUT
8	GWF-05	5/8" GALV FLAT WASHER, 1.7OD	56	
9	GWL-05	5/8" GALV LOCK WASHER	32	
10	GN-05	5/8" GALV HEX NUT	32	

**COMMSCOPE, INC. OF NORTH CAROLINA**

TOLERANCES		SAP MATERIAL MASTER	
0 PLACE X[.] ± 6[0.25]	2 PLACE .XX[.XXX] ± 1.50[0.06]	<b>MUK-PLK5Q</b>	
1 PLACE .X[.XX] ± 3.0[0.12]	ANGLES ± 2°		
FINISH		MATERIAL	
<small>UNLESS OTHERWISE SPECIFIED DIMENSIONS ARE IN MILLIMETERS INTERPRET PER ANSI Y 14.5M-1994</small>		NAME	DATE
		CE JL1183	16MAR23
		RW YMENG	03/24/2023
		AD YW1045	03/24/2023
TITLE		<b>4-SIDED KICKER KIT</b>	
ECN 40168212CMO			
SCALE	DOCUMENT NO.	<b>MUK-PLK5Q</b>	
<b>1:10</b>			
SIZE	Auth Group	INSL	MODEL
<b>A2</b>			VERSION
			STATUS
			REVISION
			VERSION
			STATUS
			REVISION
			DRAWING
			VERSION
			STATUS
			REVISION
			SHEET
			1 OF 1