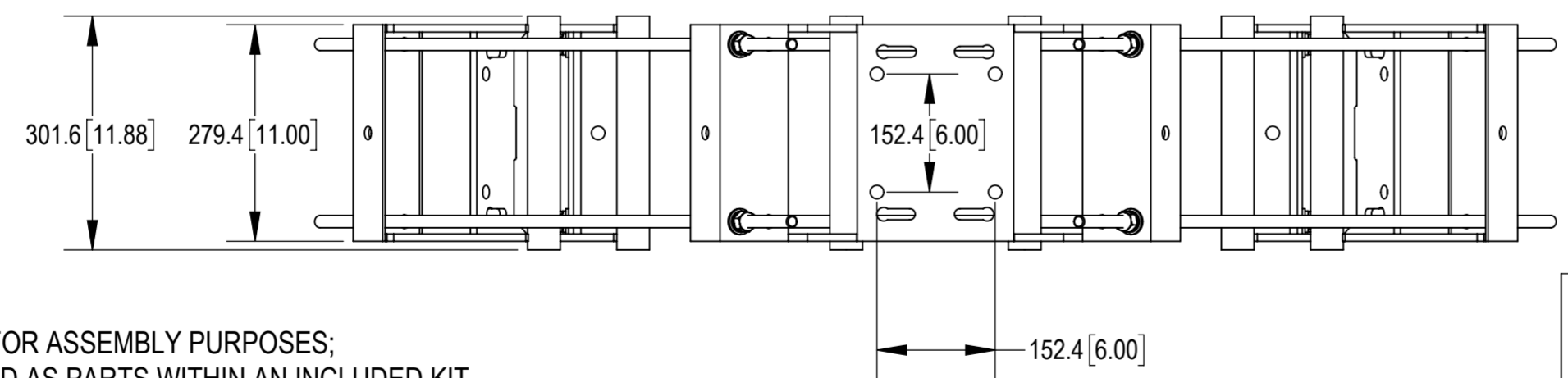
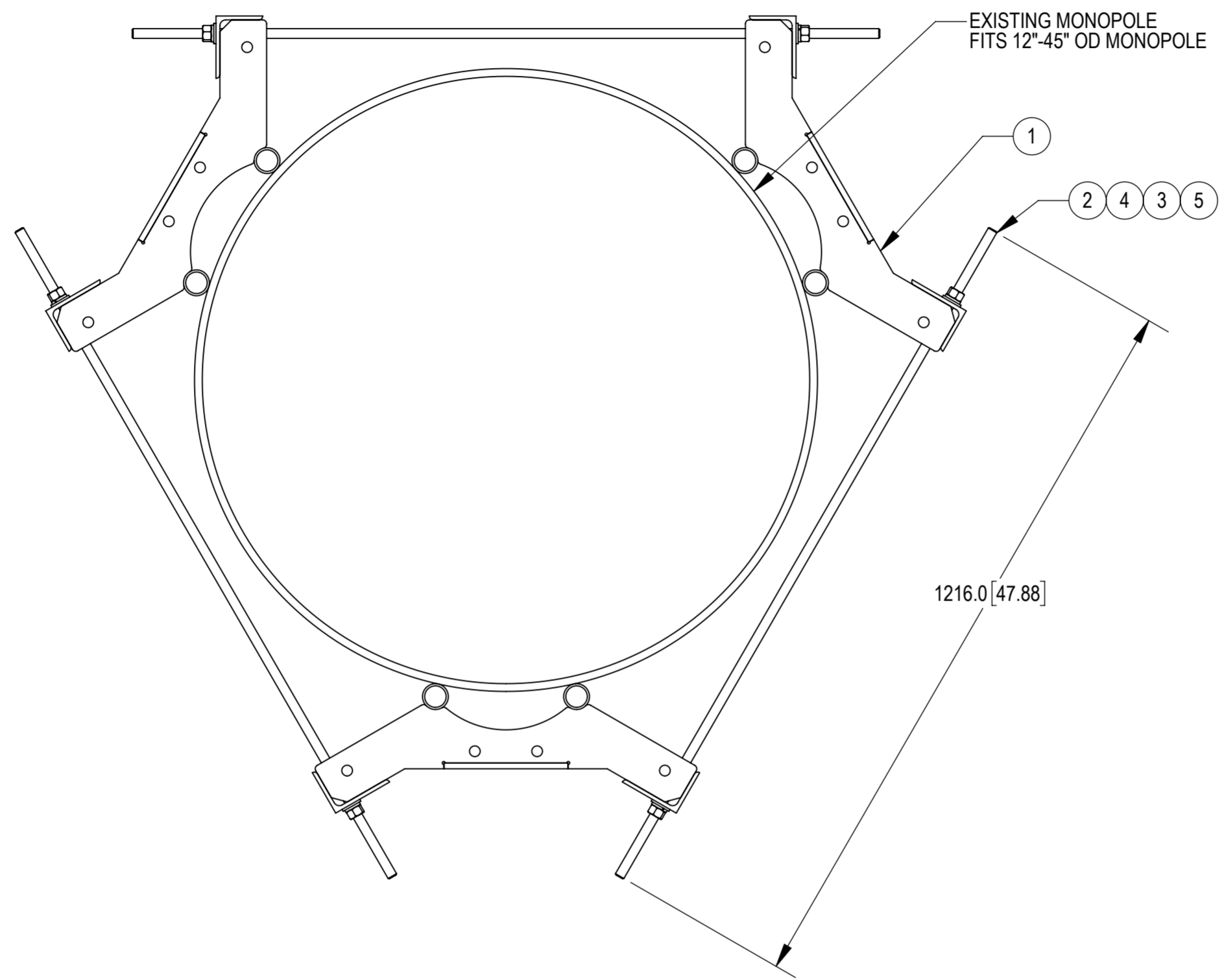


- 1.0 GENERAL NOTES
 1.1 ALL IMPERIAL DIMENSIONS ARE IN BRACKETS [X.XX]
 1.2 MARK PART WITH IDENTIFICATION NUMBER
 2.0 DESIGN NOTES
 2.1 WILL FIT 12" - 45" O.D. MONOPOLE
 3.0 MANUFACTURING/SPECIAL REQUIREMENTS
 3.1 TIGHTEN ALL BOLTS SECURING FLAT PLATES BY THE TURN-OF-NUT METHOD. TIGHTEN ALL U-BOLTS USING TURN-OF-NUT METHOD WITH ATTENTION TO LEAVE EQUAL DISTANCE AND EQUAL FORCE ON EACH LEG OF THE U-BOLT.
 4.0 TEST
 5.0 PACKAGING
 5.1 PACKAGING SHALL MEET COMMScope REQUIREMENTS PER DOCUMENT IS-PL-3005
 5.2 PRINTED DOCUMENT TO BE PLACED INSIDE POLYBAG AND THEN IN SHIPPING CONTAINER
 5.3 EXTRA HARDWARE MAYBE SUPPLIED, BAGGED AND SHIPPED

REVISIONS			
REV.	DESCRIPTION	DATE	APPROVED
A	INITIAL RELEASE	JL1183 16MAR23	JAHAINES 40168212CMO



COMPONENT PART NUMBERS PROVIDED FOR ASSEMBLY PURPOSES;
 INDIVIDUAL COMPONENTS MAY BE SHIPPED AS PARTS WITHIN AN INCLUDED KIT.

ITEM NO.	PART NUMBER	DESCRIPTION	QTY.
1	MTC4104-0100	WELDMENT, RINGMOUNT 12"-45"	3
2	MT38248	5/8" X 48" GALV THREADED ROD	6
3	GWL-05	5/8" GALV LOCK WASHER	12
4	GN-05	5/8" GALV HEX NUT	12
5	GWF05A	GALV FLAT WASHER HARDENED 5/8", 1.3OD	12

DENSITY	121.34	lbs/in ³
MASS	121.34	lbs
VOLUME	1453.42	in ³
SURFACE AREA	7818.06	in ²
DENSITY	55153.53	g/mm ³
MASS	8567353.63	grams
VOLUME	2562053.70	mm ³
SURFACE AREA	2562053.70	mm ²
HEIGHT	302[11.9]	
LENGTH	1216[48.0]	
WIDTH	1216[48.0]	

COMMScope, INC. OF NORTH CAROLINA

TOLERANCES
 0 PLACE .X[X] ± 0.25[6.3] 2 PLACE .XX[.XXX] ± 0.06[1.5]
 1 PLACE .X[.XX] ± 0.12[3.0] ANGLES ± 2°

SAP MATERIAL MASTER
MUK-PLK7

FINISH: _____ MATERIAL: _____

REV.	NAME	DATE	TITLE
CE	JL1183	16MAR23	MONOPOLE COLLAR MOUNT ASSEMBLY
RW	JL1183	03/21/2023	
AD	YW1045	03/23/2023	
RE	YMENG	03/24/2023	

UNLESS OTHERWISE SPECIFIED
 DIMENSIONS ARE IN MILLIMETERS
 INTERPRET PER ANSI Y 14.5M-1994

SCALE: **1:8** DOCUMENT NO. **MUK-PLK7**

SIZE	Auth Group	INSL	MODEL	DRAWING			SHEET		
A2			VERSION	STATUS	REVISION	VERSION	STATUS	REVISION	1 OF 1
			00	RE	A	00	RE	A	

© 2023 CommScope, Inc. Confidential