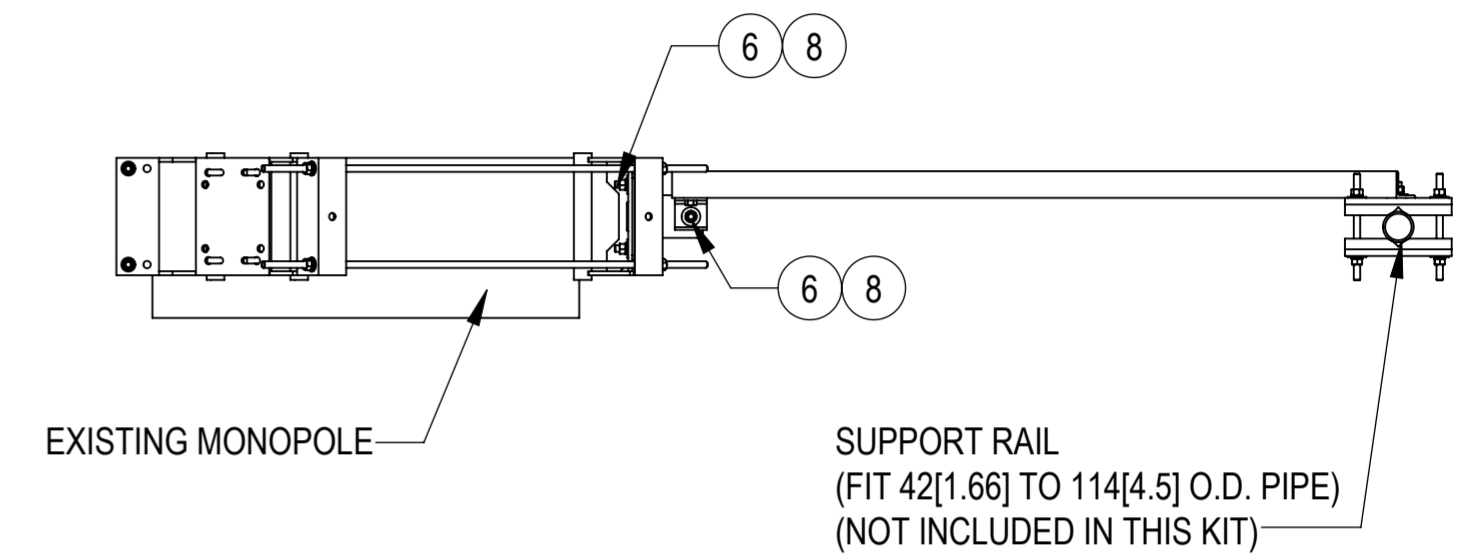
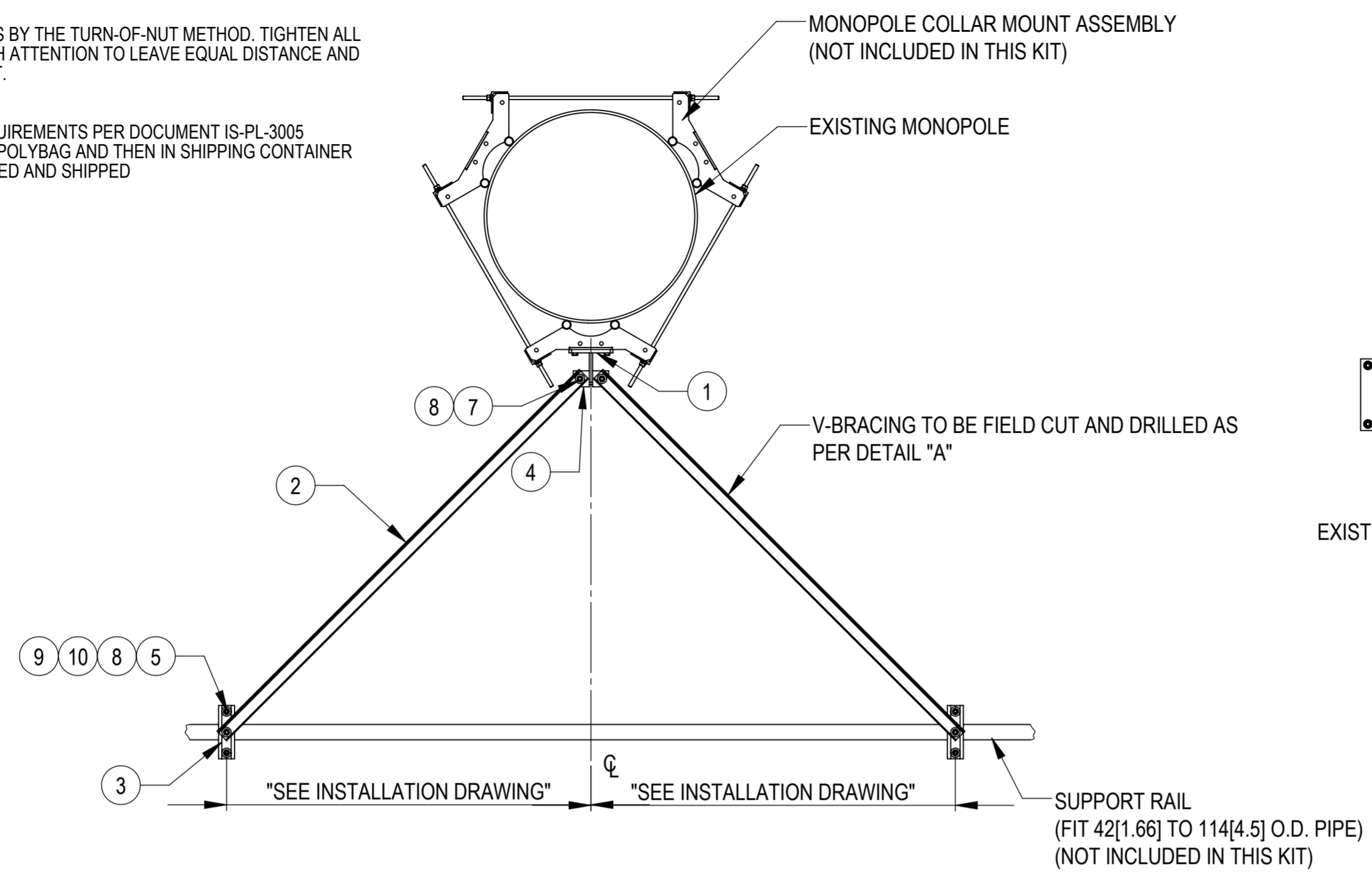
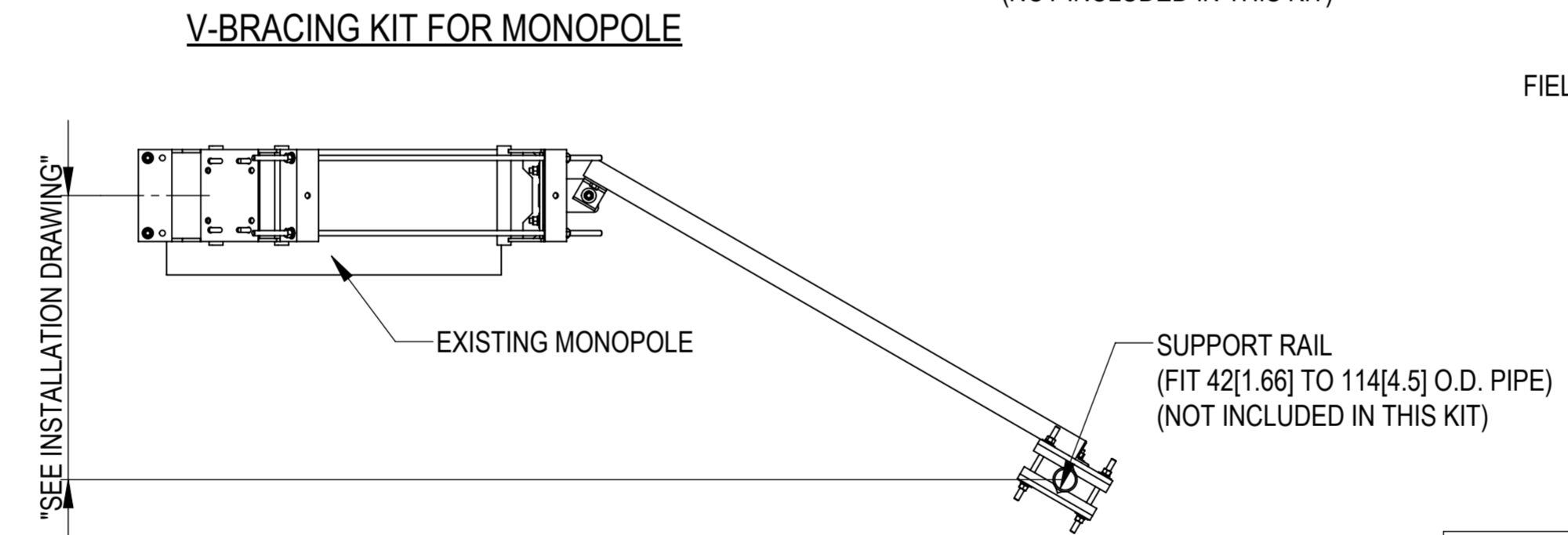


- 1.0 GENERAL NOTES
 1.1 ALL IMPERIAL DIMENSIONS ARE IN BRACKETS [X.XX]
 1.2 MARK PART WITH IDENTIFICATION NUMBER
 2.0 DESIGN NOTES
 3.0 MANUFACTURING/SPECIAL REQUIREMENTS
 3.1 TIGHTEN ALL BOLTS SECURING FLAT PLATES BY THE TURN-OF-NUT METHOD. TIGHTEN ALL U-BOLTS USING TURN-OF-NUT METHOD WITH ATTENTION TO LEAVE EQUAL DISTANCE AND EQUAL FORCE ON EACH LEG OF THE U-BOLT.
 4.0 TEST
 5.0 PACKAGING
 5.1 PACKAGING SHALL MEET COMMSCOPE REQUIREMENTS PER DOCUMENT IS-PL-3005
 5.2 PRINTED DOCUMENT TO BE PLACED INSIDE POLYBAG AND THEN IN SHIPPING CONTAINER
 5.3 EXTRA HARDWARE MAYBE SUPPLIED, BAGGED AND SHIPPED

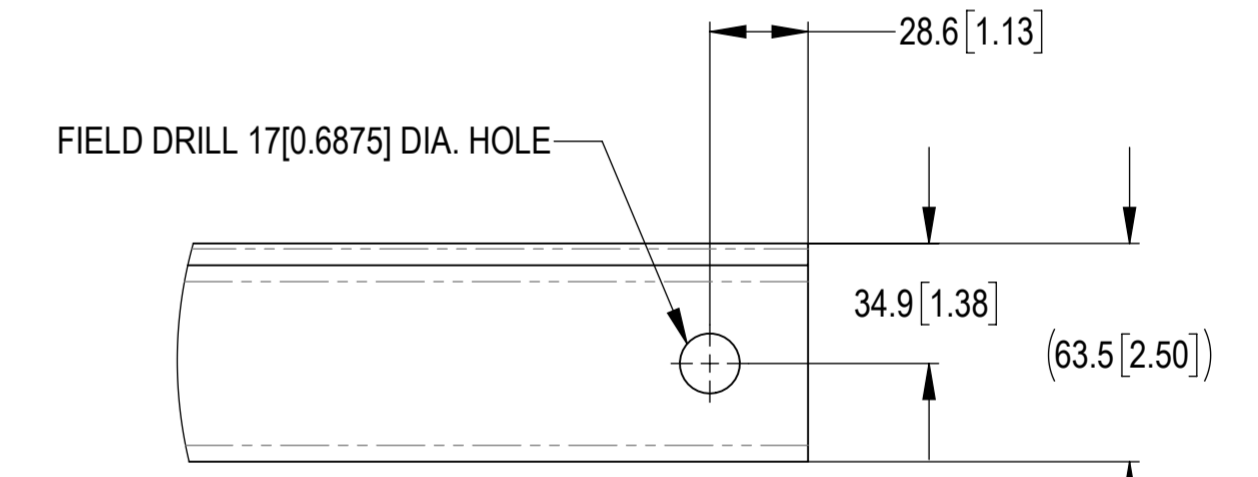
REVISIONS			
REV.	DESCRIPTION	DATE	APPROVED
A	INITIAL RELEASE	JL1183 16MAR23	JAHAINES 40168212CMO



V-BRACING KIT - HORIZONTAL (OPTION-1)



V-BRACING KIT - VERTICAL (OPTION-2)



FIELD DRILL HOLE LOCATION
DETAIL 'A'

COMPONENT PART NUMBERS PROVIDED FOR ASSEMBLY PURPOSES;
 INDIVIDUAL COMPONENTS MAY BE SHIPPED AS PARTS WITHIN AN INCLUDED KIT.

ITEM	PART NO.	DESCRIPTION	QTY.	NOTE
1	BRKW-6A	WELDMNT, V-BRACING MONOPOLE MTG	1	
2	A-SFK3-01	ANGLE 2-1/2" X 2-1/2" X 1/4"	2	
3	BP6875-10	CLAMP, V-BRACING FRONT	4	
4	AL-333	BRACKET, V-BRACING CLIP	2	
5	MT-381-10	5/8" X 10" THREADED ROD	4	
6	GB-0522A	5/8" X 2-1/4" GALV BOLT KIT (A325)	5	INCLUDES BOLT, LOCK WASHER AND NUT
7	GB-0516A	5/8" X 1-3/4" GALV BOLT KIT A325	4	INCLUDES BOLT, LOCK WASHER AND NUT
8	GWF-05	5/8" GALV FLAT WASHER, 1.7OD	17	
9	GWL-05	5/8" GALV LOCK WASHER	8	
10	GN-05	5/8" GALV HEX NUT	8	

COMMSCOPE, INC. OF NORTH CAROLINA

TOLERANCES		SAP MATERIAL MASTER	
0 PLACE X[.X] ± 3[0.1]	2 PLACE .XX[.XXX] ± 0.76[0.030]	MUK-PLK6	
1 PLACE .X[.XX] ± 1.5[0.06]	ANGLES ± 1°		
FINISH		MATERIAL	
UNLESS OTHERWISE SPECIFIED DIMENSIONS ARE IN MILLIMETERS INTERPRET PER ANSI Y 14.5M-1994		TITLE	
CE	JL1183	16MAR23	V-BRACING KIT FOR MONOPOLE
RW	JL1183	03/21/2023	
AD	YW1045	03/23/2023	
RE	YMENG	03/24/2023	
ECN 40168212CMO		SCALE	DOCUMENT NO.
		1:24	MUK-PLK6
SIZE	Auth Group	INSL	MODEL
A2			
VERSION		STATUS	REVISION
00		RE	A
VERSION		STATUS	REVISION
00		RE	A
SHEET			1 OF 1