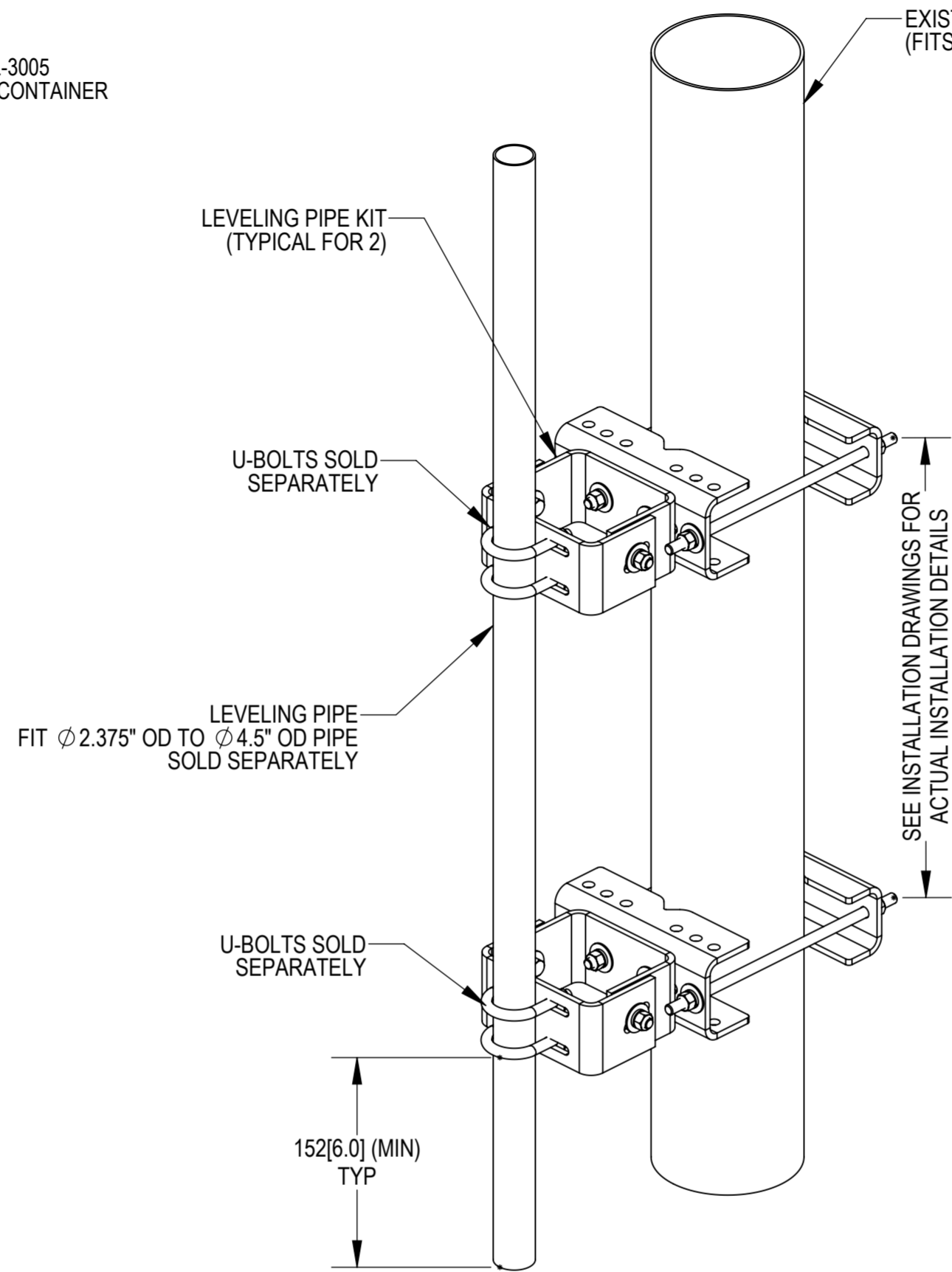
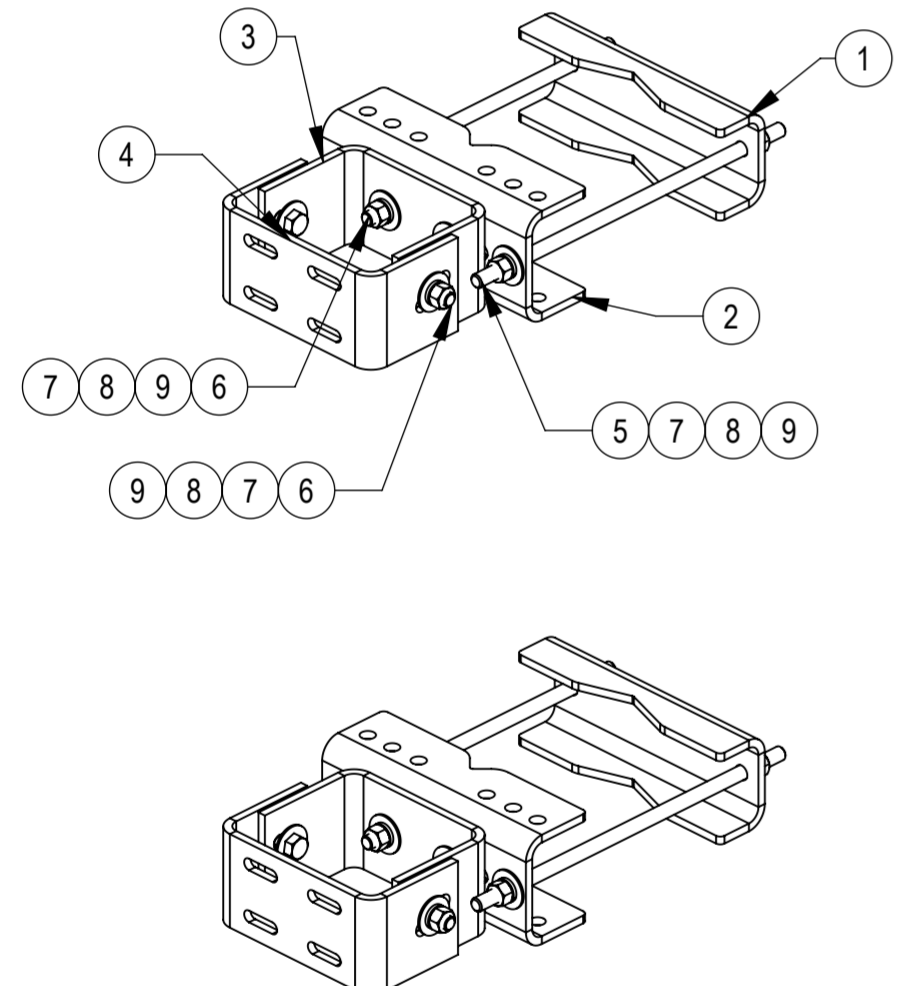
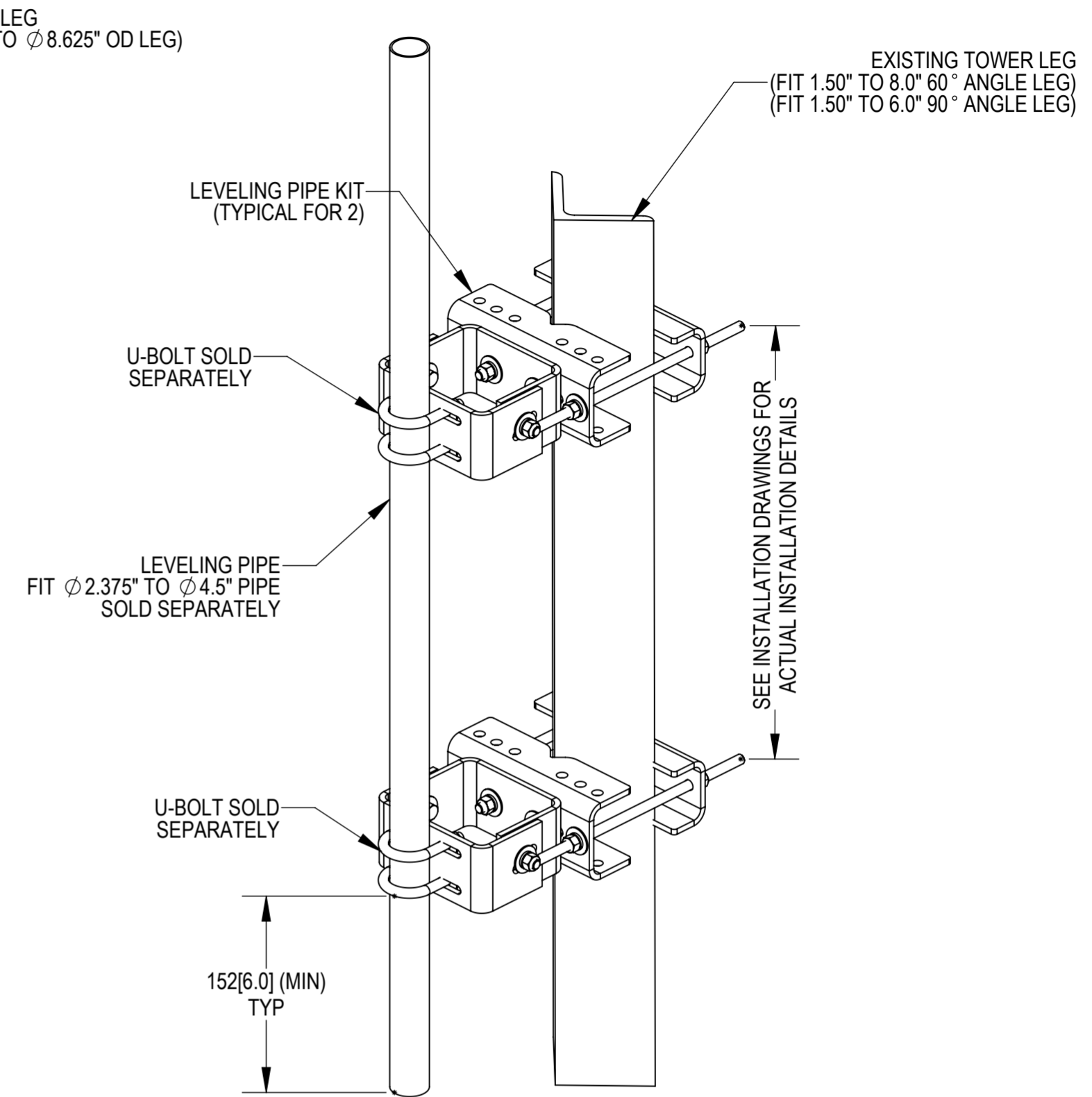


- 1.0 GENERAL NOTES  
 1.1 ALL IMPERIAL DIMENSIONS ARE IN BRACKETS [X.XX]  
 1.2 MARK PART WITH IDENTIFICATION NUMBER
- 2.0 DESIGN NOTES
- 3.0 MANUFACTURING/SPECIAL REQUIREMENTS  
 3.1 TIGHTEN ALL BOLTS SECURING FLAT PLATES BY THE TURN-OF-NUT METHOD. TIGHTEN ALL U-BOLTS USING TURN-OF-NUT METHOD WITH ATTENTION TO LEAVE EQUAL DISTANCE AND EQUAL FORCE ON EACH LEG OF THE U-BOLT.
- 4.0 TEST
- 5.0 PACKAGING  
 5.1 PACKAGING SHALL MEET COMMSCOPE REQUIREMENTS PER DOCUMENT IS-PL-3005  
 5.2 PRINTED DOCUMENT TO BE PLACED INSIDE POLYBAG AND THEN IN SHIPPING CONTAINER  
 5.3 EXTRA HARDWARE MAYBE SUPPLIED, BAGGED AND SHIPPED

REVISIONS			
REV.	DESCRIPTION	DATE	APPROVED
A	INITIAL RELEASE	JL1183 16MAR23	JAHAINES 40168212CMO



ROUND TOWER LEG OPTION



ANGLE TOWER LEG OPTION

G COMPONENT PART NUMBERS PROVIDED FOR ASSEMBLY PURPOSES;  
 INDIVIDUAL COMPONENTS MAY BE SHIPPED AS PARTS WITHIN AN INCLUDED KIT.

ITEM	PART NO.	DESCRIPTION	QTY.	NOTE NO.
1	MTC4104-0012	BENT PLATE, .375 X 8.25 X 12	2	
2	MTC4104-0013-00	BENT PLATE, .375 X 11.1 X 12	2	
3	MTC4104-0016	BENT PLATE, .375 X 5.63 X 8.25	2	
4	MTC4104-0017	BENT PLATE, .375 X 5.13 X 9.25	2	
5	MT-382-18	5/8" X 18" GALV THREADED ROD	4	
6	GB-0520A	5/8" X 2" GALV BOLT KIT (A325)	8	INCLUDES BOLT, LOCK WASHER AND NUT
7	GWF-05	5/8" GALV FLAT WASHER, 1.70D	24	
8	GWL-05	5/8" GALV LOCK WASHER	8	
9	GN-05	5/8" GALV HEX NUT	8	

© 2023 CommScope, Inc. Confidential

**COMMSCOPE, INC. OF NORTH CAROLINA**

TOLERANCES		SAP MATERIAL MASTER																								
0 PLACE X[.X] ± 6[0.25]	2 PLACE .XX[.XXX] ± 1.50[0.06]	<b>MUK-MSK4</b>																								
1 PLACE .X[.XX] ± 3.0[0.12]	ANGLES ± 2°																									
FINISH		MATERIAL																								
<table border="1"> <thead> <tr> <th>REV.</th> <th>NAME</th> <th>DATE</th> <th>TITLE</th> </tr> </thead> <tbody> <tr> <td>CE</td> <td>JL1183</td> <td>16MAR23</td> <td rowspan="4" style="text-align: center;"><b>LEVELING PIPE KIT</b></td> </tr> <tr> <td>RW</td> <td>JL1183</td> <td>03/21/2023</td> </tr> <tr> <td>AD</td> <td>YW1045</td> <td>03/23/2023</td> </tr> <tr> <td>RE</td> <td>YMENG</td> <td>03/24/2023</td> </tr> </tbody> </table>		REV.	NAME	DATE	TITLE	CE	JL1183	16MAR23	<b>LEVELING PIPE KIT</b>	RW	JL1183	03/21/2023	AD	YW1045	03/23/2023	RE	YMENG	03/24/2023	SCALE: <b>1:8</b> DOCUMENT NO.: <b>MUK-MSK4</b>							
REV.	NAME	DATE	TITLE																							
CE	JL1183	16MAR23	<b>LEVELING PIPE KIT</b>																							
RW	JL1183	03/21/2023																								
AD	YW1045	03/23/2023																								
RE	YMENG	03/24/2023																								
<table border="1"> <thead> <tr> <th>SIZE</th> <th>Auth Group</th> <th>INSL</th> <th>MODEL</th> <th colspan="3">DRAWING</th> <th>SHEET</th> </tr> </thead> <tbody> <tr> <td rowspan="2" style="font-size: 2em;"><b>A2</b></td> <td></td> <td></td> <td>VERSION</td> <td>STATUS</td> <td>REVISION</td> <td>VERSION</td> <td>STATUS</td> </tr> <tr> <td></td> <td></td> <td>00</td> <td>RE</td> <td>A</td> <td>00</td> <td>RE</td> </tr> </tbody> </table>		SIZE	Auth Group	INSL	MODEL	DRAWING			SHEET	<b>A2</b>			VERSION	STATUS	REVISION	VERSION	STATUS			00	RE	A	00	RE	SHEET <b>1 OF 1</b>	
SIZE	Auth Group	INSL	MODEL	DRAWING			SHEET																			
<b>A2</b>			VERSION	STATUS	REVISION	VERSION	STATUS																			
			00	RE	A	00	RE																			