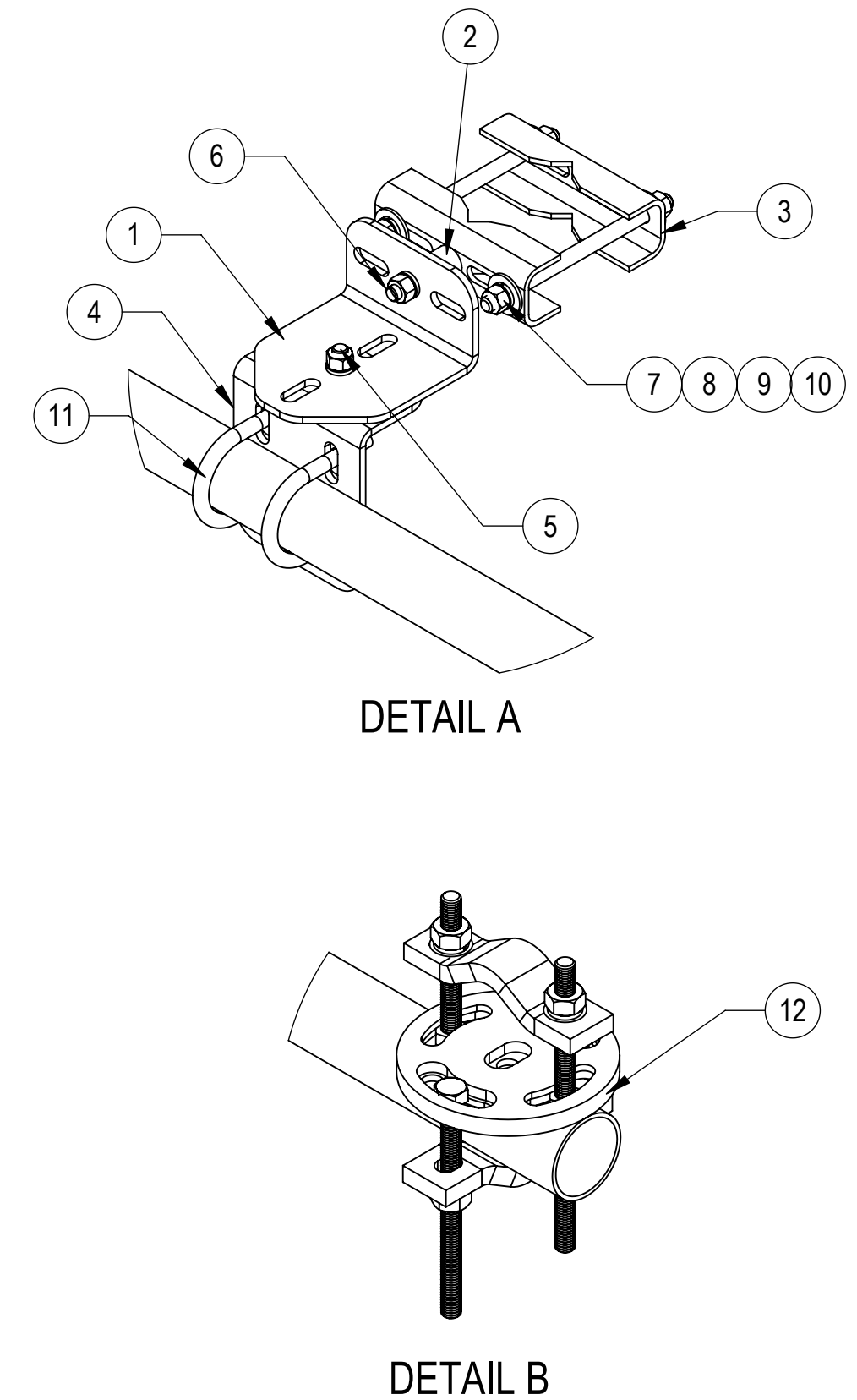
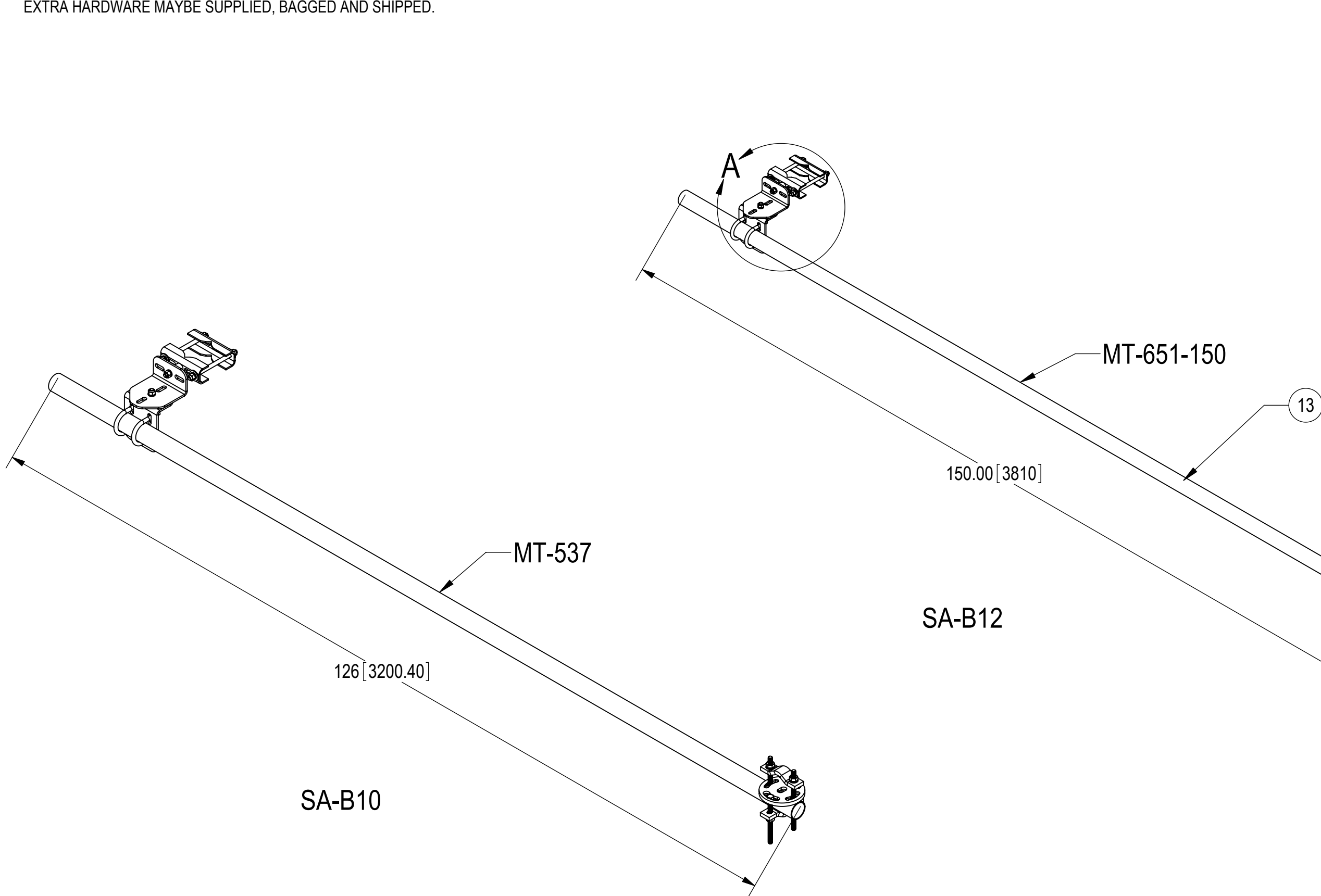


- 1.0 GENERAL NOTES
 - 1.1 ALL METRIC DIMENSIONS ARE IN BRACKETS [X.X]
 - 1.2 FOR PATENT INFO: <https://www.cs-pat.com>
- 2.0 DESIGN NOTES
- 3.0 MANUFACTURING/SPECIAL REQUIREMENTS
 - 3.1 TIGHTEN ALL BOLTS SECURING FLAT PLATES BY THE TURN-OF-NUT METHOD. TIGHTEN ALL U-BOLTS USING TURN-OF-NUT METHOD WITH ATTENTION TO LEAVE EQUAL DISTANCE AND EQUAL FORCE ON EACH LEG OF THE U-BOLT.
- 4.0 TEST
- 5.0 PACKAGING
 - 5.1 PACKAGING SHALL MEET COMMSCOPE REQUIREMENTS PER DOCUMENT IS-PL-3005.
 - 5.2 PRINTED DOCUMENT TO BE PLACED INSIDE POLYBAG AND THEN IN SHIPPING CONTAINER.
 - 5.3 EXTRA HARDWARE MAYBE SUPPLIED, BAGGED AND SHIPPED.

REVISIONS			
REV.	DESCRIPTION	DATE	APPROVED
H	CORRECT BOLTS TO MATCH SAP BOM	MSM 01MAR17	CADDBASE 8000020628
J	UPDATED TIE BACK SA-B SERIES TO HAVE DOUBLE U-BOLTS	YH1102 30JAN23	XK1001 40161891CMO



COMPONENT PART NUMBERS PROVIDED FOR ASSEMBLY PURPOSES;
INDIVIDUAL COMPONENTS MAY BE SHIPPED AS PARTS WITHIN AN INCLUDED KIT.

ITEM	PART NO.	DESCRIPTION	QTY.	WEIGHT	NOTE
1	XAU01	ANGLE, CROSSOVER, 1.9-3.5" X 1.9-3.5" OD	1	2.98 LBS	
2	OS15034	3/4" X 1-1/2" OFFSET COLLAR	1	0.14 LBS	
3	SAB01	FORMED CLAMP	2	1.35 LBS	
4	SAB02-00	ANGLE, CROSSOVER, 1.9-3.5" X 1.9-3.5" OD	1	3.13 LBS	
5	GB-04125	1/2" X 1-1/4" GALV BOLT KIT	1	0.12 LBS	
6	GB-04265	1/2" X 2-3/4" GALV BOLT KIT	1	0.20 LBS	
7	GN-04	1/2" GALV HEX NUT	4	0.04 LBS	
8	GWL-04	1/2" GALV LOCK WASHER	4	0.01 LBS	
9	GWF-04	1/2" GALV FLAT WASHER	4	0.04 LBS	
10	MT-379-8	1/2" X 8" GALV THREADED ROD	2	0.44 LBS	
11	GUB-4240	1/2" X 2-1/2" X 4" GALV U-BOLT	2	0.56 LBS	
12	XP-R	CROSSOVER PLATE, ROUND, UP TO 3.5" OD	1	6.20 LBS	
13	MT-651-150	2.375" OD X 150" PIPE	1	36.34 LBS	PN SEE TABLE

PART NUMBER	PLAIN END PIPE	DESCRIPTION	QTY	WEIGHT
SA-B10	MT-537	2-3/8" X 126" PLAIN END PIPE	1	48.80 LBS
SA-B12	MT-651-150	2-3/8" OD X 150" PLAIN END PIPE	1	54.69 LBS

COMMSCOPE, INC. OF NORTH CAROLINA

TOLERANCES		SAP MATERIAL MASTER	
1 PLACE .X[X] ± 0.12[3.0]	3 PLACE .XXX[X] ± 0.03[0.8]	SEE TABLE	
2 PLACE .XX[X] ± 0.06[1.5]	ANGLES ± 2°		
FINISH		MATERIAL	
<small>UNLESS OTHERWISE SPECIFIED DIMENSIONS ARE IN INCHES INTERPRET PER ANSI Y 14.5M-1994</small>		NAME	DATE
		CE AW	08DEC04
		RW YMENG	02/01/2023
		AD XK1001	02/01/2023
RE YMENG	03/09/2023	TITLE	
ECN 40161891CMO		SCALE	DOCUMENT NO.
		1:1	SA-B SERIES
SIZE	Auth Group	INSL	MODEL
C			VERSION STATUS REVISION
			VERSION STATUS REVISION
			01 RE J 01 RE J
			DRAWING SHEET
			1 OF 1