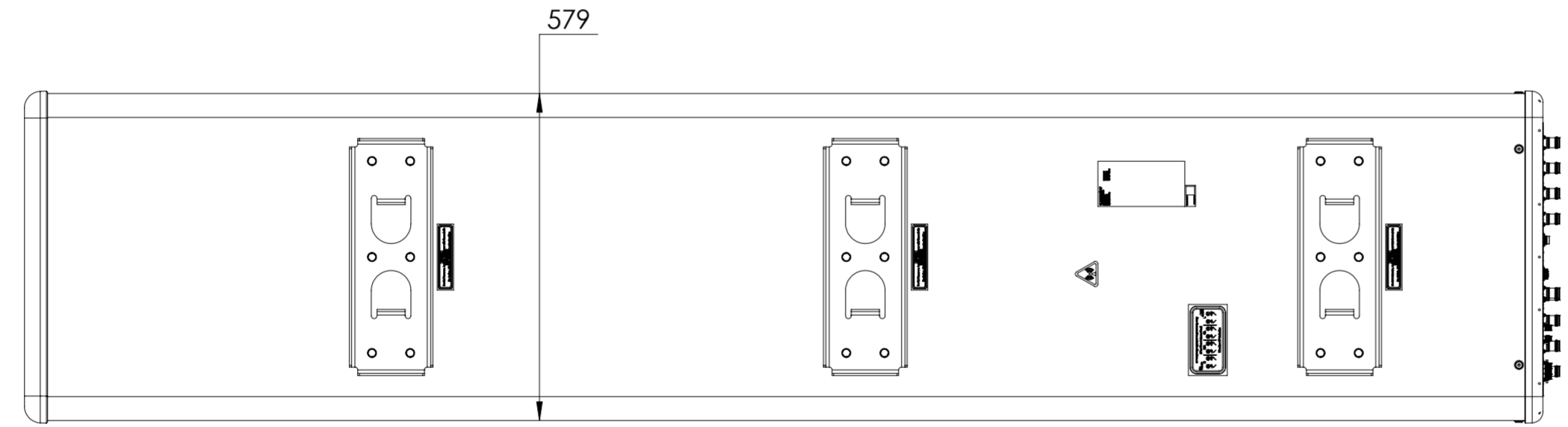
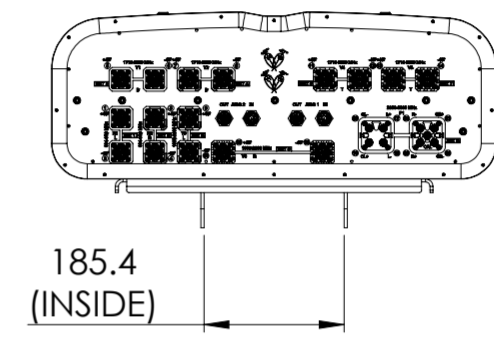
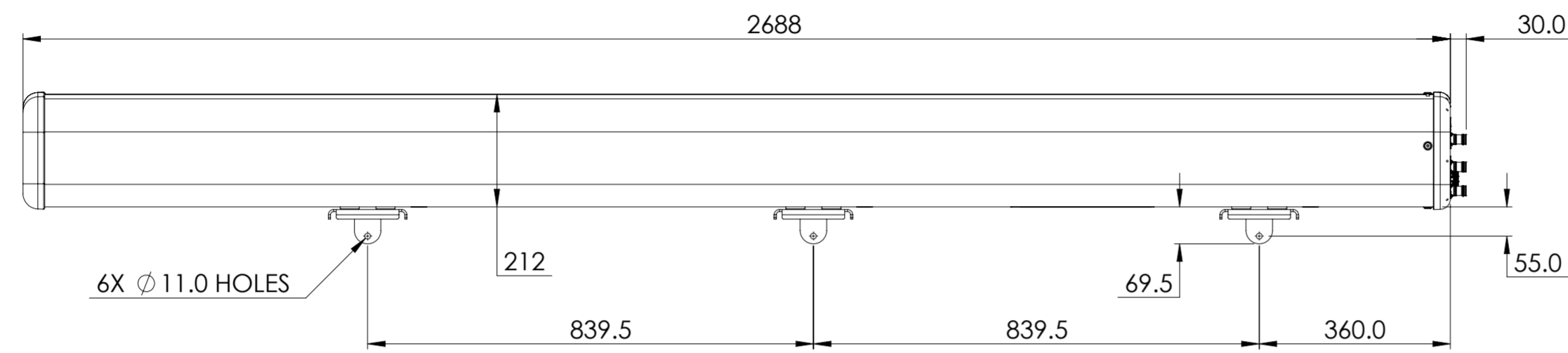


REVISIONS			
REV.	DESCRIPTION	DATE	APPROVED
A	ECR 40161977CMO: RELEASE TO PRODUCTION PER EAO 611749.	30JAN23 JOY	WSU/PJ



RRVV2VVQ4-6533D-R9

**COMMSCOPE, INC. OF NORTH CAROLINA**

TOLERANCES		SAP MATERIAL MASTER	
0 PLACE X ±	2 PLACE .XX ±		
1 PLACE .X ±	ANGLES ±		
FINISH		MATERIAL	
<small>UNLESS OTHERWISE SPECIFIED DIMENSIONS ARE IN MILLIMETERS INTERPRET PER ISO STANDARDS HANDBOOK TECHNICAL DRAWINGS VOLUMES 1 &amp; 2, THIRD EDITION (2002)</small>		NAME	DATE
		CE JOY	01/30/2023
		RW	
		AD	
		RE	
ECN		TITLE	
		PRODUCT DRAWING	
		SCALE	DOCUMENT NO.
		1:10	RRVV2VVQ4-6533D-R9-L
SIZE	Auth Group	MODEL	
A2		VERSION	STATUS
		REVISION	REVISION
		DRAWING	
		VERSION	STATUS
		REVISION	REVISION
		SHEET	
		1 OF 1	

DENSITY	g/mm <sup>3</sup>
MASS	grams
VOLUME	mm <sup>3</sup>
SURFACE AREA	mm <sup>2</sup>
HEIGHT	
LENGTH	
WIDTH	