

# HST-B4ANC0650NN000



## HST, NOVUX™ Prodigy™ Hardened Standard Terminal, 4-port, Armored cable, 650 ft/198 m

- NOVUX™ Prodigy™ Hardened Multi-port Terminals incorporate Hardened connector technology that is designed to withstand the rugged outside plant environment
- Hardened connectors are factory-integrated and environmentally sealed for use in optical drop cable deployments
- Plug and play adapter ports ensure rapid cable installment in the outside plant access section of the network
- NOVUX™ Prodigy™ HST terminals are available with 2 to 12 ports and can be utilized in Single Fiber Point-to-Point (P2P) solutions
- Available with flat dielectric, flat toneable/locatable dielectric, armored or 5mm round cable
- NOVUX™ Prodigy™ smaller terminal size for aesthetics and allowing installation in constrained spaces
- NOVUX™ Prodigy™ terminals are available in Black (RAL# 9005) or Gray (RAL# 7035)
- CommScope Product ID plate with QR code link to product documents and C-Track

## Product Classification

|                               |   |
|-------------------------------|---|
| <b>Regional Availability</b>  | Asia   EMEA   Latin America   North America |
| <b>Product Type</b>           | Access terminal, without splitter/tap       |
| <b>Product Brand</b>          | NOVUX™                                      |
| <b>Product Series</b>         | HST   |
| <b>Minimum Order Quantity</b> | 1   |

## General Specifications

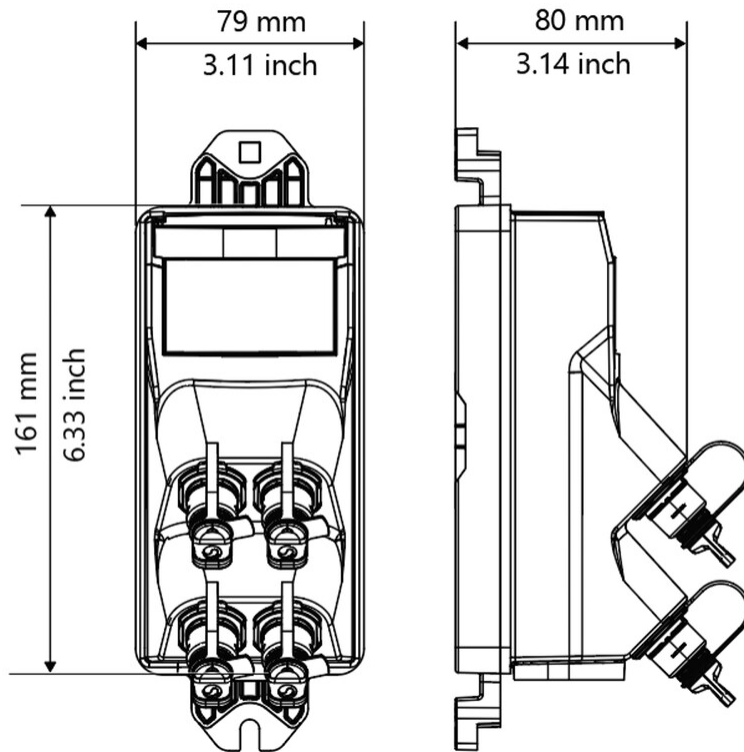
|                            |                                     |
|----------------------------|-------------------------------------|
| <b>Cable Type</b>          | Armored - Round - Loose Tube        |
| <b>Cable, quantity</b>     | 1                                   |
| <b>Distribution Type</b>   | 4 ports                             |
| <b>Drop Port Type</b>      | Hardened Prodigy SC/APC             |
| <b>Drop Port, quantity</b> | 4                                   |
| <b>Enclosure Color</b>     | Black (RAL 9005)                    |
| <b>Mounting</b>            | Handhole   Pedestal   Pole   Strand |
| <b>Port Type</b>           | Hardened Prodigy SC/APC             |
| <b>Port, quantity</b>      | 4                                   |

## Dimensions

# HST-B4ANC0650NN000

|                             |                   |
|-----------------------------|-------------------|
| <b>Height</b>               | 80 mm   3.15 in   |
| <b>Width</b>                | 79 mm   3.11 in   |
| <b>Length</b>               | 161 mm   6.339 in |
| <b>Cable Length, stub</b>   | 650 ft (198 m)    |
| <b>Cable Outer Diameter</b> | 3.0 mm (0.12 in)  |

## Dimension Drawing



## Port Configuration

| NOVUX HT   | TECHNOLOGIES AVAILABLE         | SMALL                          | MEDIUM                         | LARGE                                       |
|------------|--------------------------------|--------------------------------|--------------------------------|---|
| HST Series | Single-fiber: P2P/no splitters | 2 ports                        | 6 ports                        | 12 ports                                    |
|            |                                | 4 ports                        | 8 ports                        |   |
|            | Single-fiber: P2P w/splitters  | 2 ports, 1x1:2                 | 8 ports, 2x1:4                 | 12 ports, 3x1:4                             |
|            |                                | 4 ports, 1x1:4                 | 8 ports, 1x1:8                 |   |
|            | Hybrid for multi-use           |                                | 7 ports, 1x1:4 splitter, 3 P2P | 12 ports, 1x1:8 splitter, 4 P2P             |
|            |                                | 4 ports, 1x1:2 splitter, 2 P2P | 8 ports, 1x1:4 splitter, 4 P2P | 11 ports, 2x1:4 splitter, 2 P2P, 1 HMFOC 4f |

## Ordering Tree

# HST-B4ANC0650NN000



## Material Specifications

**Enclosure Material Type** Hardened plastic

## Optical Specifications

**Fiber Type** G.652.D

**Operating Wavelength Range** 1260 – 1635 nm

**Attenuation Single Ports, maximum** 0.4 dB

**Attenuation Cable Coefficient, maximum** 0.30 dB/km @ 1550 nm | 0.40 dB/km @ 1310 nm

**Return Loss, Connector, typical** 65 dB

## Environmental Specifications

**Operating Temperature** -40 °C to +65 °C (-40 °F to +149 °F)

**Relative Humidity** 5%–100%, condensing

**Environmental Space** Above ground | Below ground

**Qualification Standards** IEC 61753-1, category G | IEC 61753-111-08 (this represents an IEC 60529 IP68)

# HST-B4ANC0650NN000

---

intrusion protection level)

**UV Resistance**

UV stabilized

## Packaging and Weights

**Packaging quantity**

1

**Packaging Type**

Box | Universal spool, wood: terminal is on the top of the spool, stub deploys first

## Regulatory Compliance/Certifications

**Agency**

**Classification**

CHINA-ROHS

Below maximum concentration value

ISO 9001:2015

Designed, manufactured and/or distributed under this quality management system

REACH-SVHC

Compliant as per SVHC revision on [www.commscope.com/ProductCompliance](http://www.commscope.com/ProductCompliance)

ROHS

Compliant

UK-ROHS

Compliant

