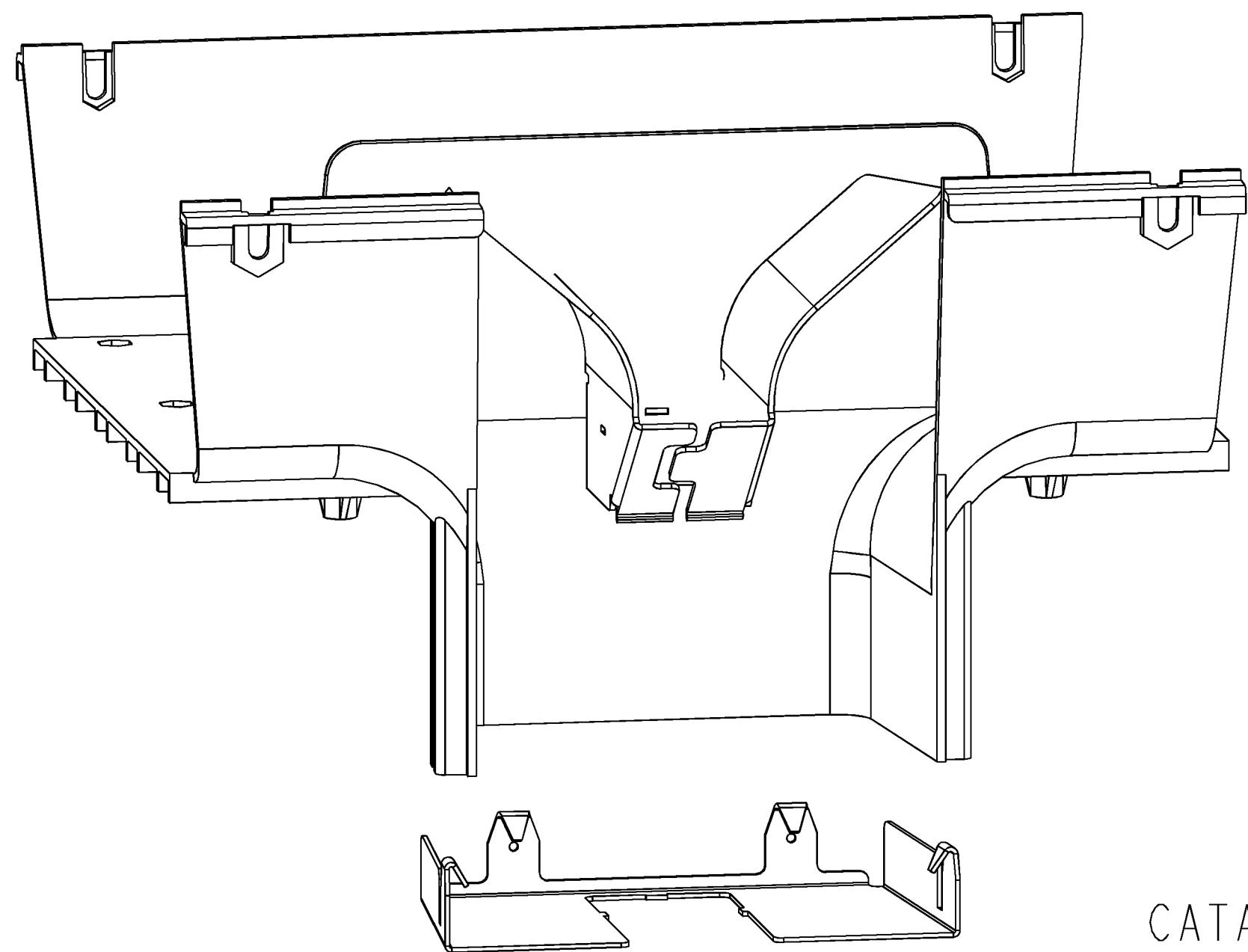
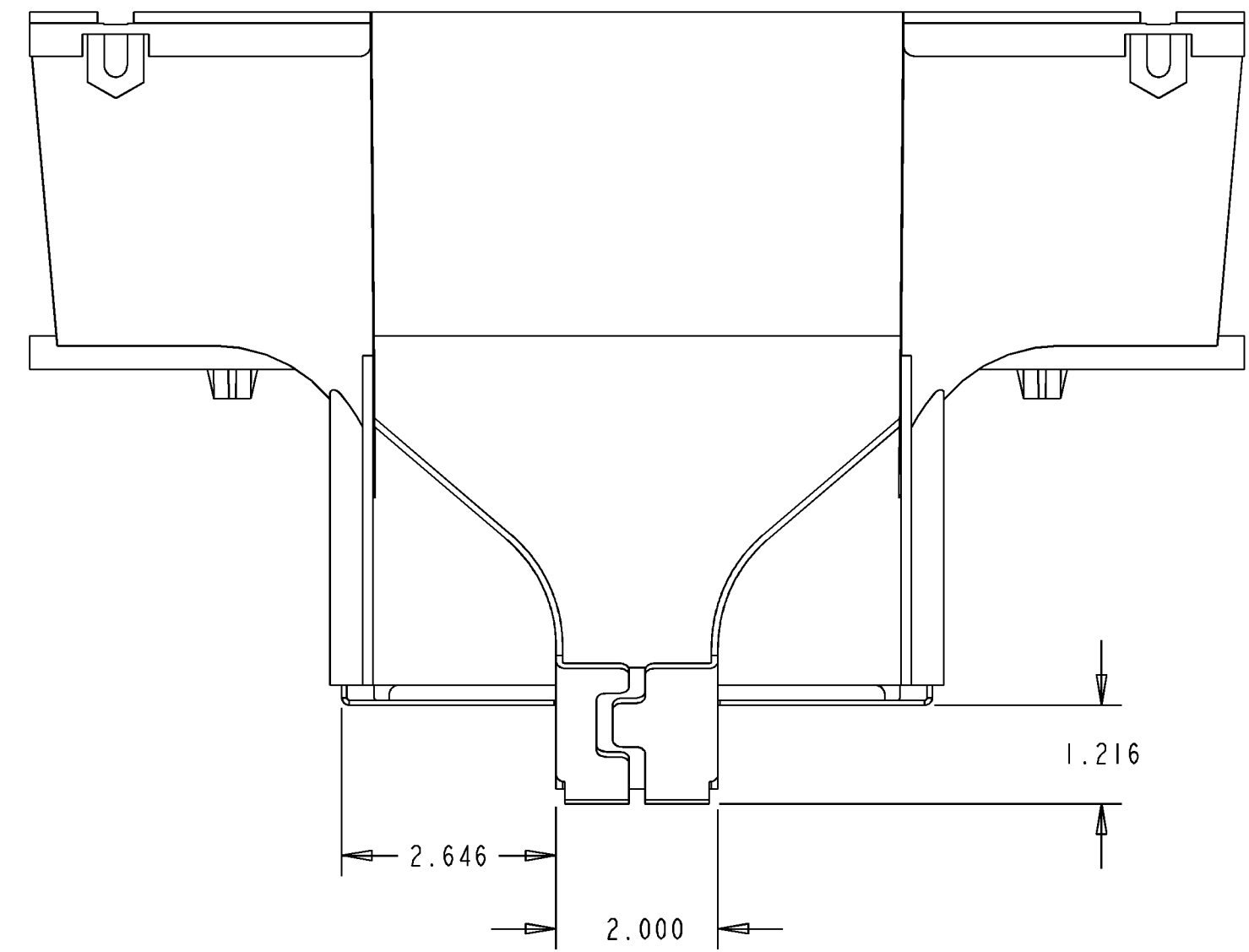
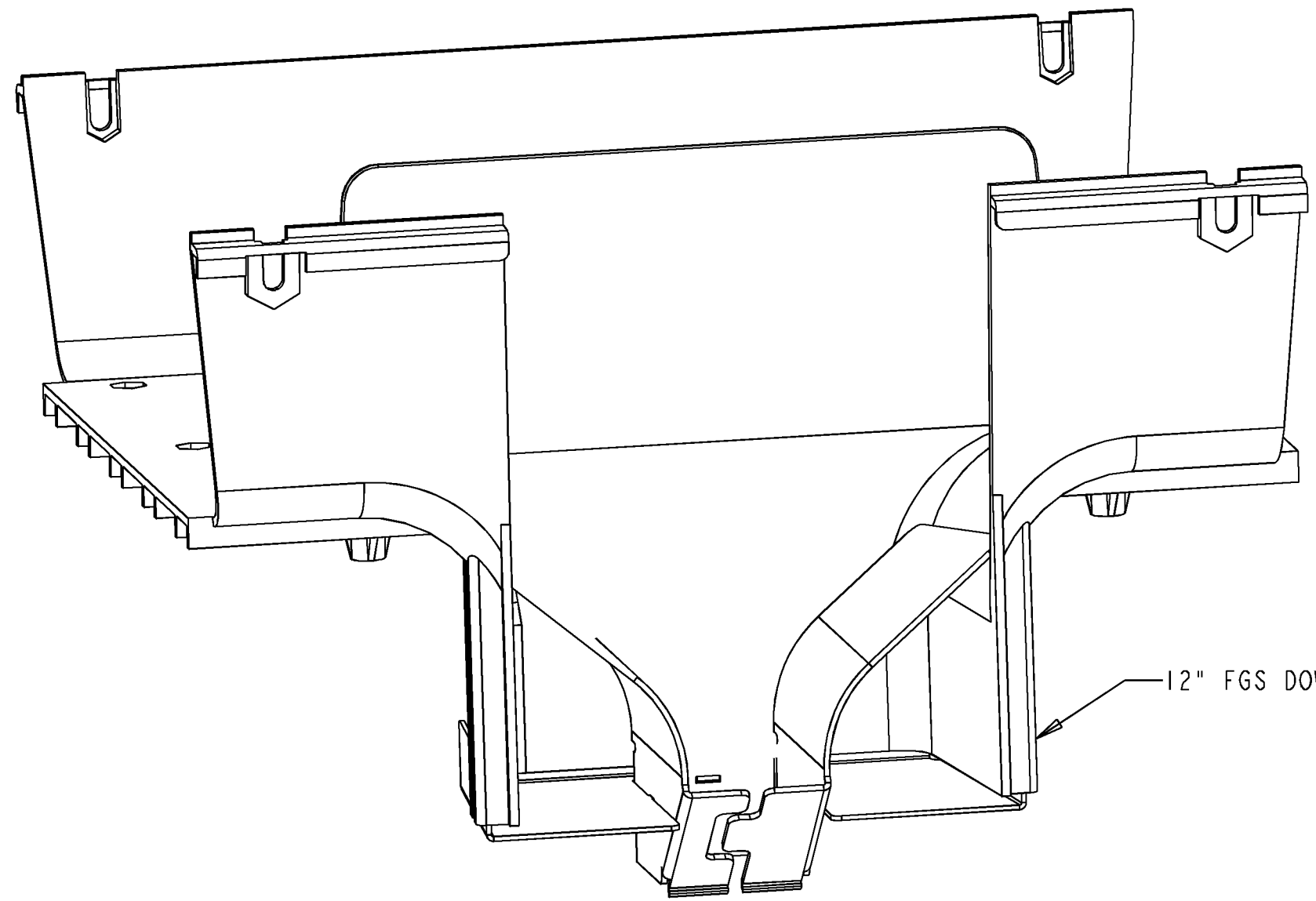


REV	ECO	DWN	DATE
A	20061843	CDZ	29-JUN-00
-	-----	---	-----



NOTES:

1. KIT INCLUDES THE FOLLOWING:
 - (1) ADAPTER TOP
 - (1) ADAPTER BOTTOM
2. FULLY INSERT THE (4) TABS OF THE ADAPTER BOTTOM INTO THE (4) T-CHANNELS ON THE EXIT OF THE DOWNSPOUT.
3. INSERT THE ADAPTER TOP, FROM THE TOP OF THE DOWNSPOUT, AS SHOWN, INTO THE EXIT OF THE DOWNSPOUT. ENSURE THE FLAT WALL OF THE ADAPTER TOP IS ORIENTED TOWARDS THE BACK WALL OF THE EXIT OF THE DOWNSPOUT.
4. APPLY SLIGHT PRESSURE TO THE SIDE WALLS OF THE ADAPTER TOP, TO ENSURE THE PART FITS INSIDE THE ADAPTER BOTTOM.
5. SNAP THE RECTANGULAR TABS (ON THE INSIDE OF THE ADAPTER BOTTOM), INTO THE RECTANGULAR HOLES ON THE ADAPTER TOP.

CATALOG #: FGS-HDSI-F/C



INFORMATION ON THIS DOCUMENT IS PROPRIETARY TO ADC AND SHALL NOT BE USED, COPIED, REPRODUCED OR DISCLOSED IN WHOLE OR IN PART WITHOUT WRITTEN CONSENT OF ADC.		TITLE ADAPTER 12" FGS DOWNSPOUT TO 2" FGS	
TOLERANCE UNLESS OTHERWISE SPECIFIED .XX:±.02 .XXX:±.010 ANGULAR:±2°	C	DRAWING NUMBER 1118190	A
THIRD ANGLE PROJECTION	DO NOT SCALE DRAWING	ENGR: KEVIN HRUBY DWN: CRAIG ZELASKO	SHT. 1 OF 1