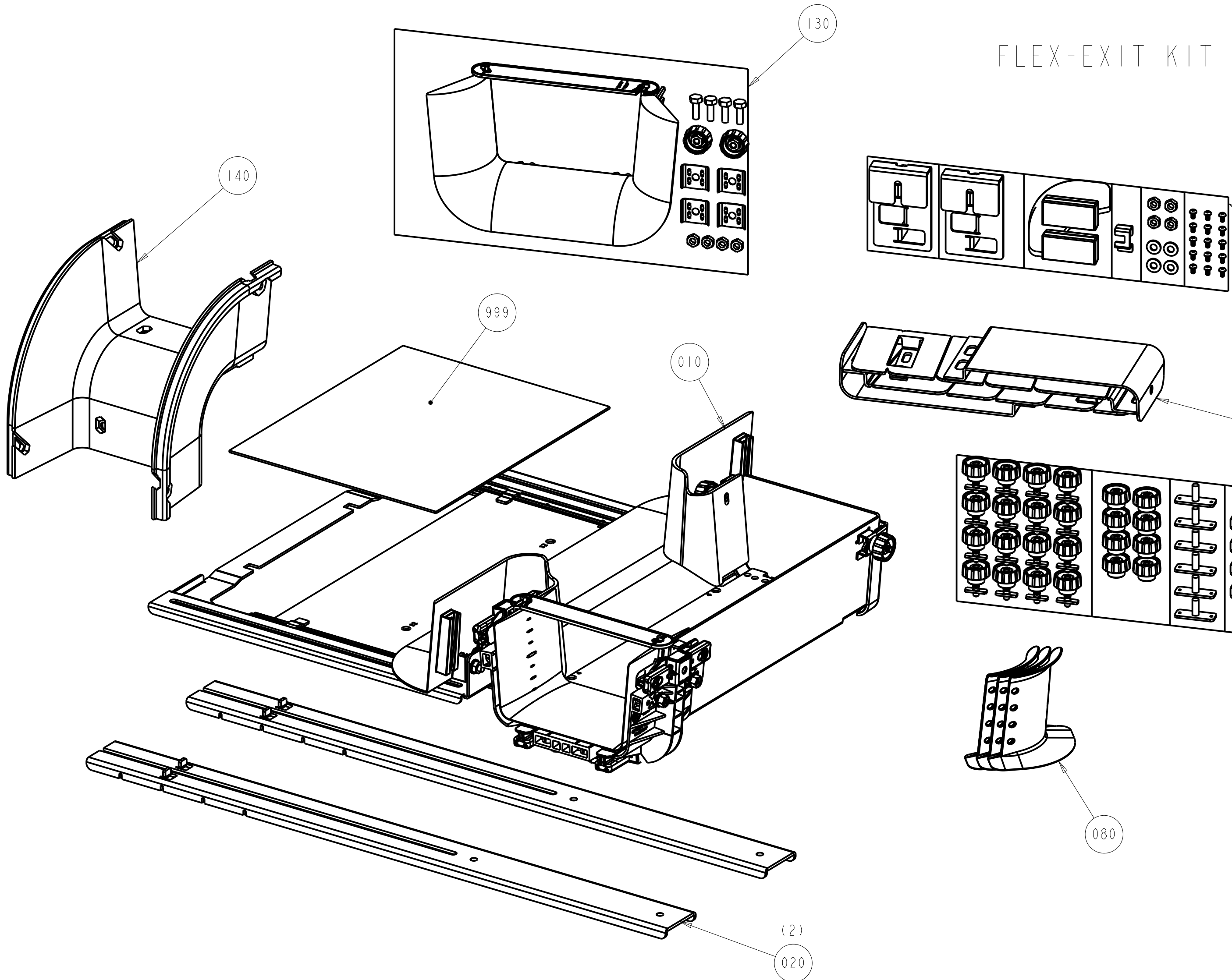


REV	MCO	DWN	DATE
C	40028214MCO	VFV	29-JAN-16
D	8000019185	IAV	20-JAN-17

FLEX-EXIT KIT FOR FGS



SEALED BAG 1
(ITEMS 050, 090, 120, 150, 400, 401 AND 402)

SEALED BAG 2
(ITEMS 030 AND 040)

SEALED BAG 3
(ITEMS 060, 070, 100 AND 110)

KIT COMPONENTS		
ITEM	DESCRIPTION	QTY
010	FIT-IN_PLATE, SUBASSY, FLEX-EXIT, FGS	1
020	SUPPORT BRACKET, FLEX-EXIT, FGS	2
030	SIDE-RADIUS, FLEX-EXIT, FGS	2
040	BREAKABLE SIDE WALL, FLEX-EXIT, FGS	2
050	HOLDER, FLEX-EXIT, FGS	2
060	U-BRACKET, FLEX-EXIT, FGS	4
070	BRACKET, TRUMPET-END CAP, FLEX-EXIT, FGS	6
080	INSERT FIN, FGS BLK (3) ADHESIVE	1
090	END CAP BRACKET, FLEX-EXIT KIT, FGS	1
100	HDW-12021: QUICK KNOB WITH T-BOLT	16
110	KNOB, PLASTIC FGS	8
120	CAP POLYVINYL, .470X2.125X1 BLK	2
130	FGS-MTRM-B: KIT, TRUMPET, 4X6, FGS	1
140	ELBOW, 90 DOWN, 4X6, YEL, FGS	1
150	TAPE, DOUBLE SIDED ADHESIVE, DIE CUT 3 PC	1
400	HDW-100850: SCREW TF NIBS FH 4-40X.250	15
401	MHW-25FW01: W11-06 .265, .563	4
402	NUT HEX 1/4-20 SS	4
999	INSTALLATION DRW, FLEX-EXIT, FGS	1

NOTES:
1. COMPONENTS SHOWN FOR REFERENCE.

COMMSCOPE, INC.

© 2016 COMMSCOPE, INC. CONFIDENTIAL
NOTICE: THESE DRAWINGS AND SPECIFICATIONS ARE THE PROPRIETARY PROPERTY OF COMMSCOPE, INC. AND MAY BE USED ONLY FOR THE SPECIFIC PURPOSE AUTHORIZED IN WRITING BY COMMSCOPE, INC.
ALL DIMS AND TOLERANCES .XX:±N/A ARE INCHES UNLESS .XXX:±N/A OTHERWISE SPECIFIED ANGULAR:±N/A
DO NOT SCALE DRAWING

# CATALOG	FGS-FLEXEXIT-F/H
TITLE	FLEX-EXIT KIT FOR FGS
DRAWING NUMBER	300100102528
ENGR: HECTOR UREÑO	DWN: HECTOR UREÑO
SHT. 1 OF 17	

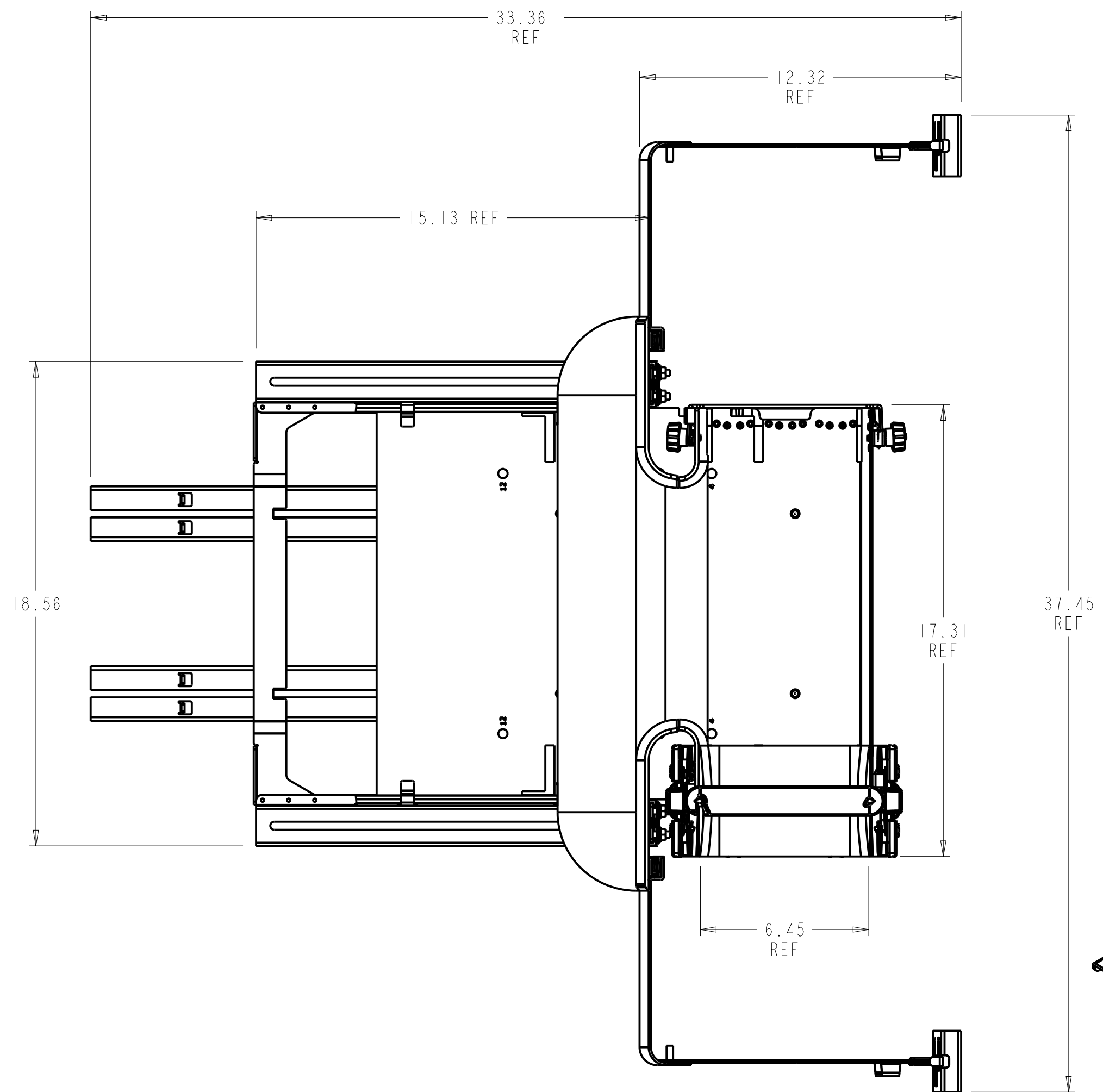
DIMENSIONS IN INCHES
THIRD ANGLE PROJECTION

A

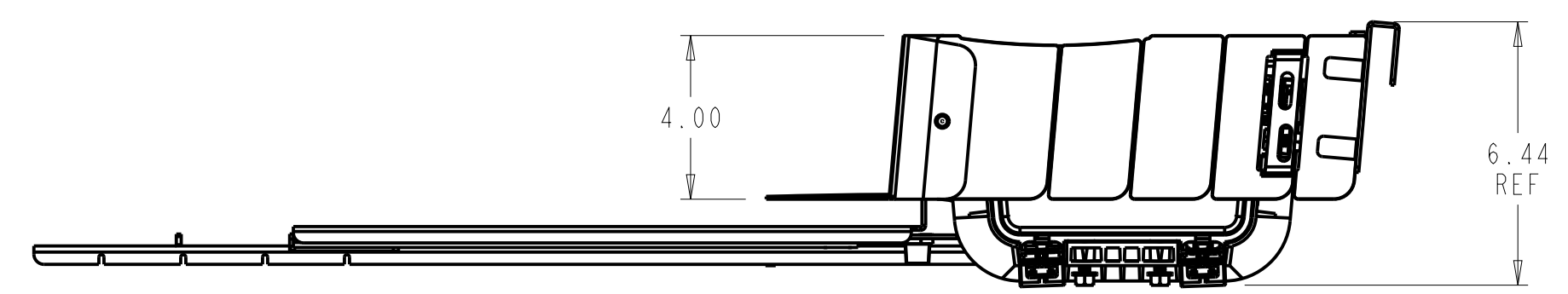
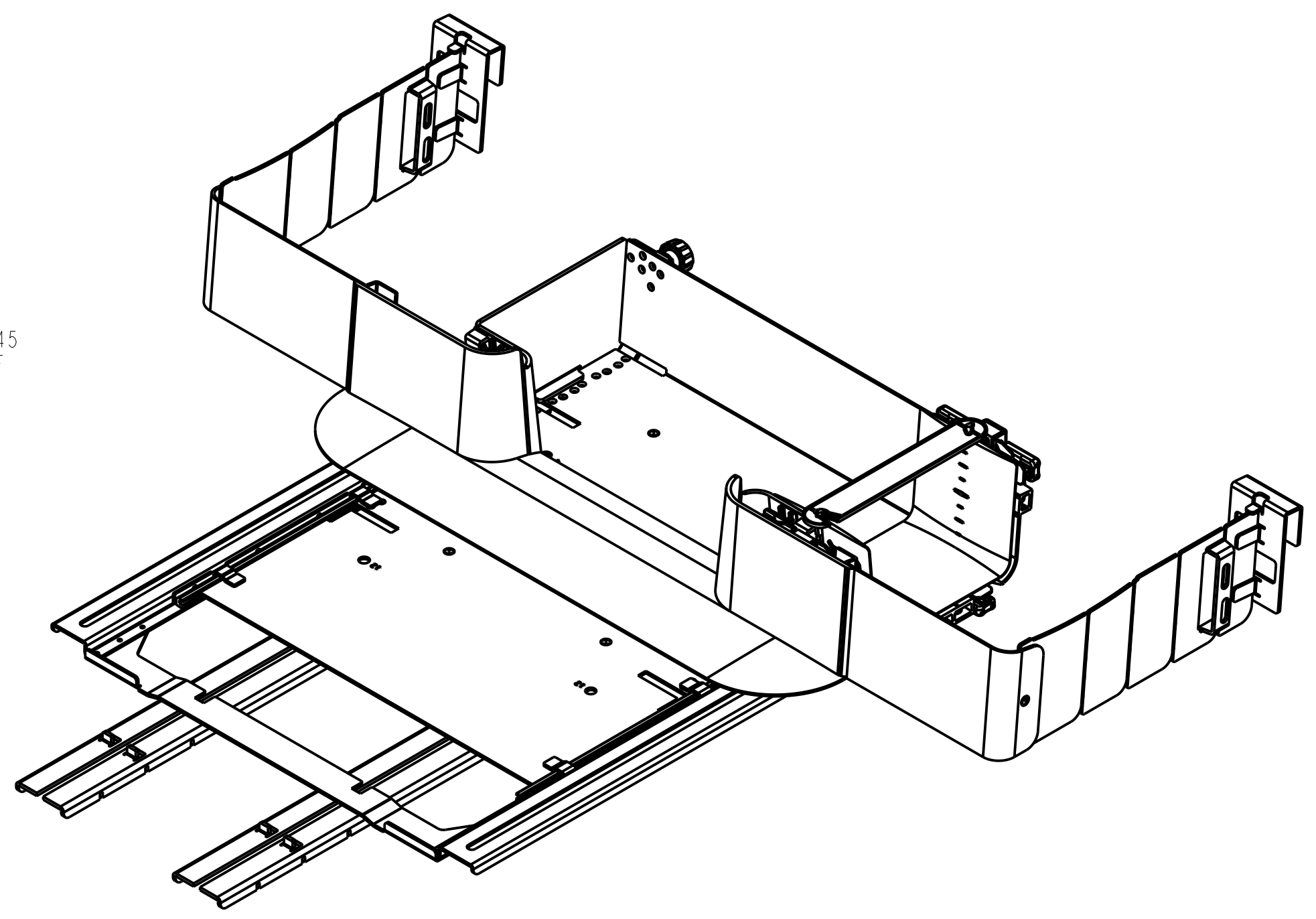
B

C

D



GENERAL DIMENSIONS
ALL DIMENSIONS ARE IN INCHES UNLESS OTHERWISE SPECIFIED



COMMSCOPE, INC.

© 2016 COMMSCOPE, INC. CONFIDENTIAL
NOTICE: THESE DRAWINGS AND SPECIFICATIONS
ARE THE PROPRIETARY PROPERTY OF
COMMSCOPE, INC. AND MAY BE USED ONLY FOR THE
SPECIFIC PURPOSE AUTHORIZED IN WRITING BY
COMMSCOPE, INC.

TITLE
FLEX-EXIT KIT FOR FGS

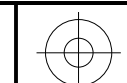
ALL DIMS AND TOLERANCES .XX:±xx
ARE INCHES UNLESS .XXX:±xxx
OTHERWISE SPECIFIED ANGULAR:±N/A

C SIZE	DRAWING NUMBER 300100102528	D REV
-----------	--------------------------------	----------

DO NOT SCALE DRAWING

ENGR:
DWN:

SHT. 2 OF 17



DIMENSIONS IN INCHES
THIRD ANGLE PROJECTION

A

B

C

1

2

3

4

1

2

3

4

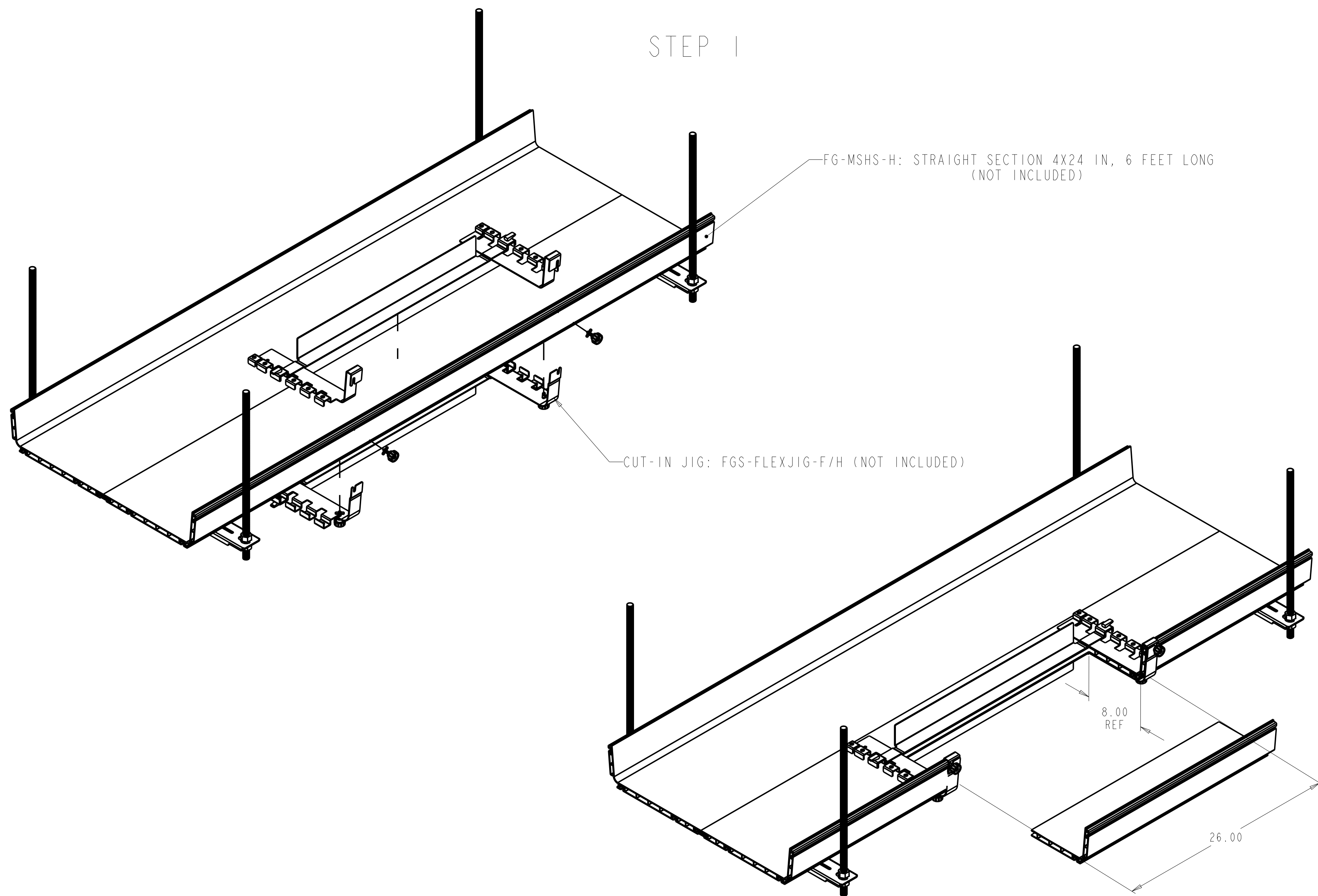
A

B

C

D

STEP 1



NOTES:
 2. TO MAKE THE CUT INTO THE STRAIGHT SECTION USE THE CUT-IN JIG CATALOG:
 FGS-FLEXJIG-F/H (NOT INCLUDED)
 -FOR MORE INSTALLATION DETAILS LOOK THE CUT-IN JIG INSTALLATION DRAWING.

COMMSCOPE, INC.

© 2016 COMMSCOPE, INC. CONFIDENTIAL NOTICE: THESE DRAWINGS AND SPECIFICATIONS ARE THE PROPRIETARY PROPERTY OF COMMSCOPE, INC. AND MAY BE USED ONLY FOR THE SPECIFIC PURPOSE AUTHORIZED IN WRITING BY COMMSCOPE, INC.		TITLE FLEX-EXIT KIT FOR FGS	
ALL DIMS AND TOLERANCES ARE INCHES UNLESS OTHERWISE SPECIFIED	.XX:±N/A .XXX:±N/A ANGULAR:±N/A	C SIZE DRAWING NUMBER 300100102528	D REV
DO NOT SCALE DRAWING	ENGR: HECTOR UREÑO DWN: HECTOR UREÑO	SHT. 3 OF 17	

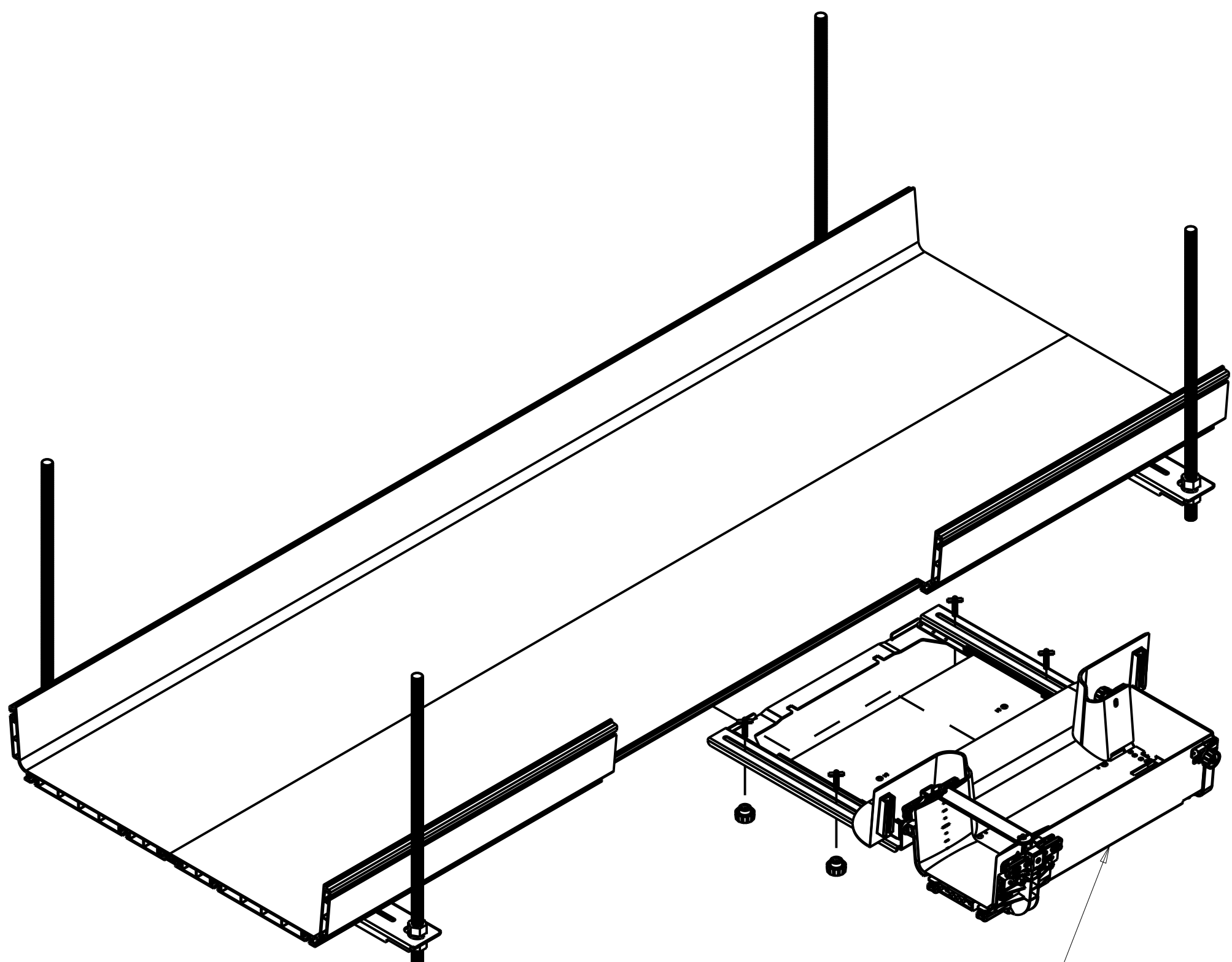
DIMENSIONS IN INCHES
THIRD ANGLE PROJECTION

A

B

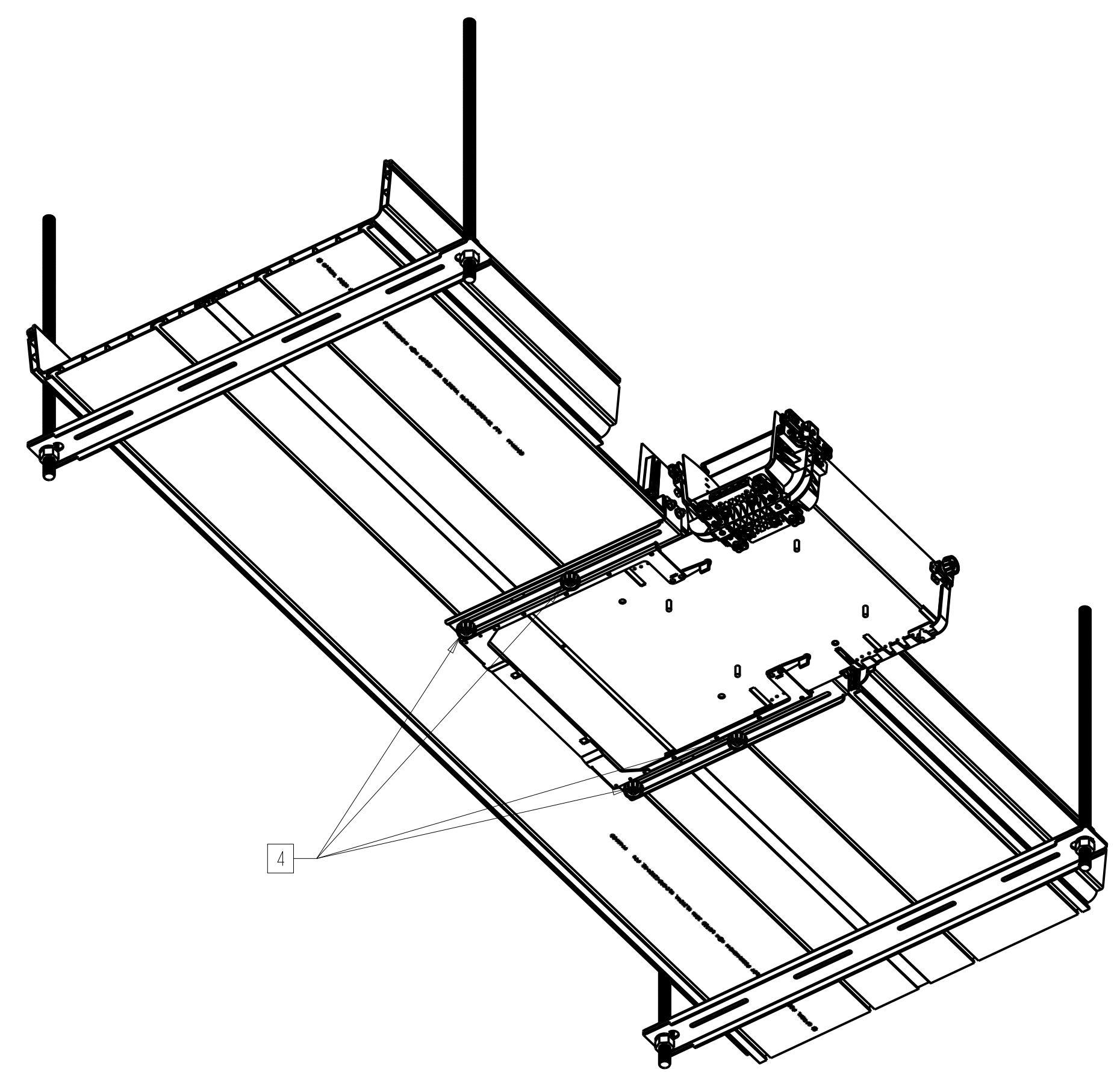
C

D



STEP 2

FLUSH CUT ON STRAIGHT SECTION FOR REFERENCE



NOTES:

- 3 ONCE THE CUT IS DONE, SLIDE THE FLEX EXIT INTO THE STRAIGHT SECTION AS SHOWN.
- 4 HOLD THE ASSEMBLY USING FOUR KNOBS F/N 100.

COMMSCOPE, INC.

<small>© 2016 COMMSCOPE, INC. CONFIDENTIAL NOTICE: THESE DRAWINGS AND SPECIFICATIONS ARE THE PROPRIETARY PROPERTY OF COMMSCOPE, INC. AND MAY BE USED ONLY FOR THE SPECIFIC PURPOSE AUTHORIZED IN WRITING BY COMMSCOPE, INC.</small>		TITLE FLEX-EXIT KIT FOR FGS	
<small>ALL DIMS AND TOLERANCES ARE INCHES UNLESS OTHERWISE SPECIFIED</small>	<small>.XX:±N/A .XXX:±N/A ANGULAR:±N/A</small>	C SIZE DRAWING NUMBER 300100102528	D REV
DO NOT SCALE DRAWING	ENGR: HECTOR UREÑO DWN: HECTOR UREÑO	SHT. 4 OF 17	

DIMENSIONS IN INCHES
THIRD ANGLE PROJECTION

A

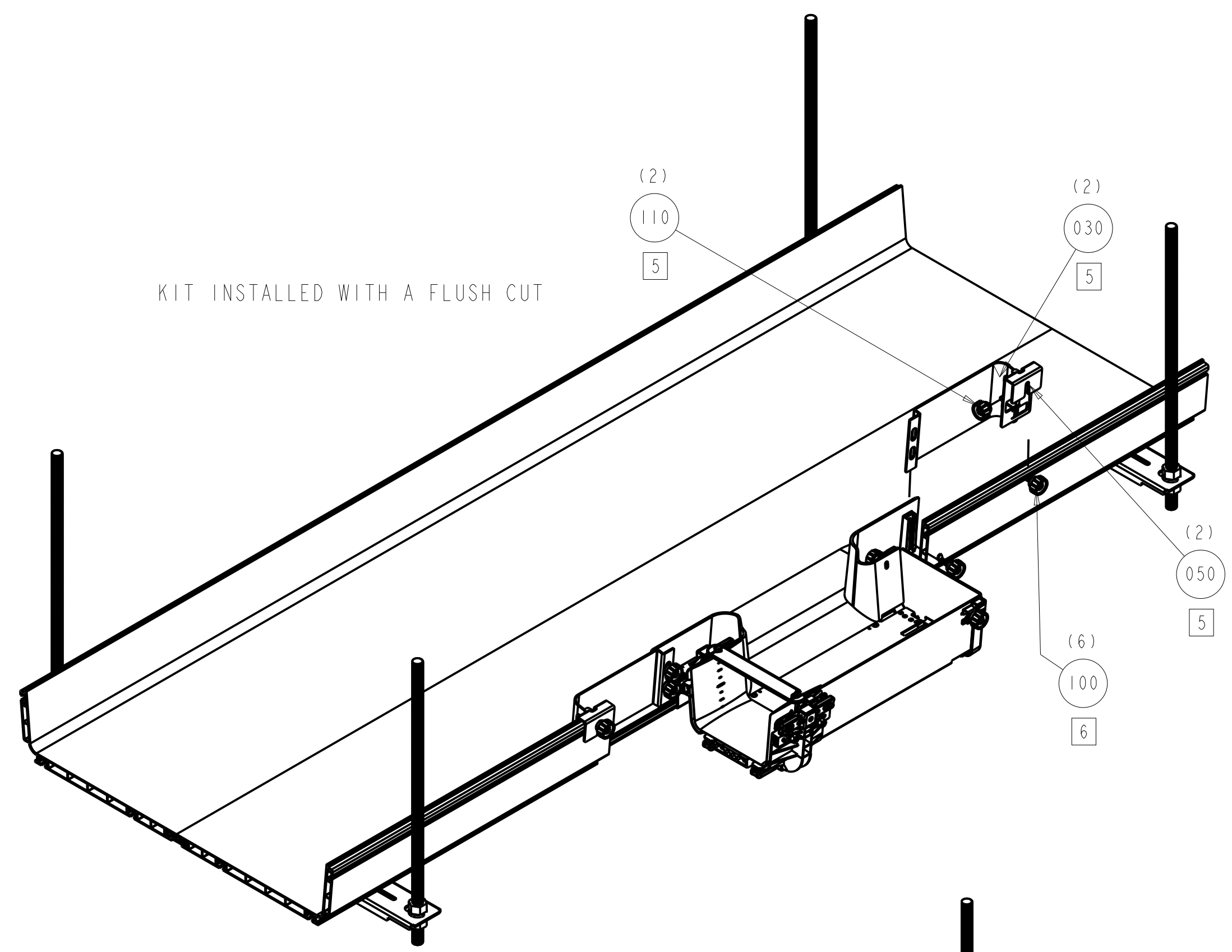
B

C

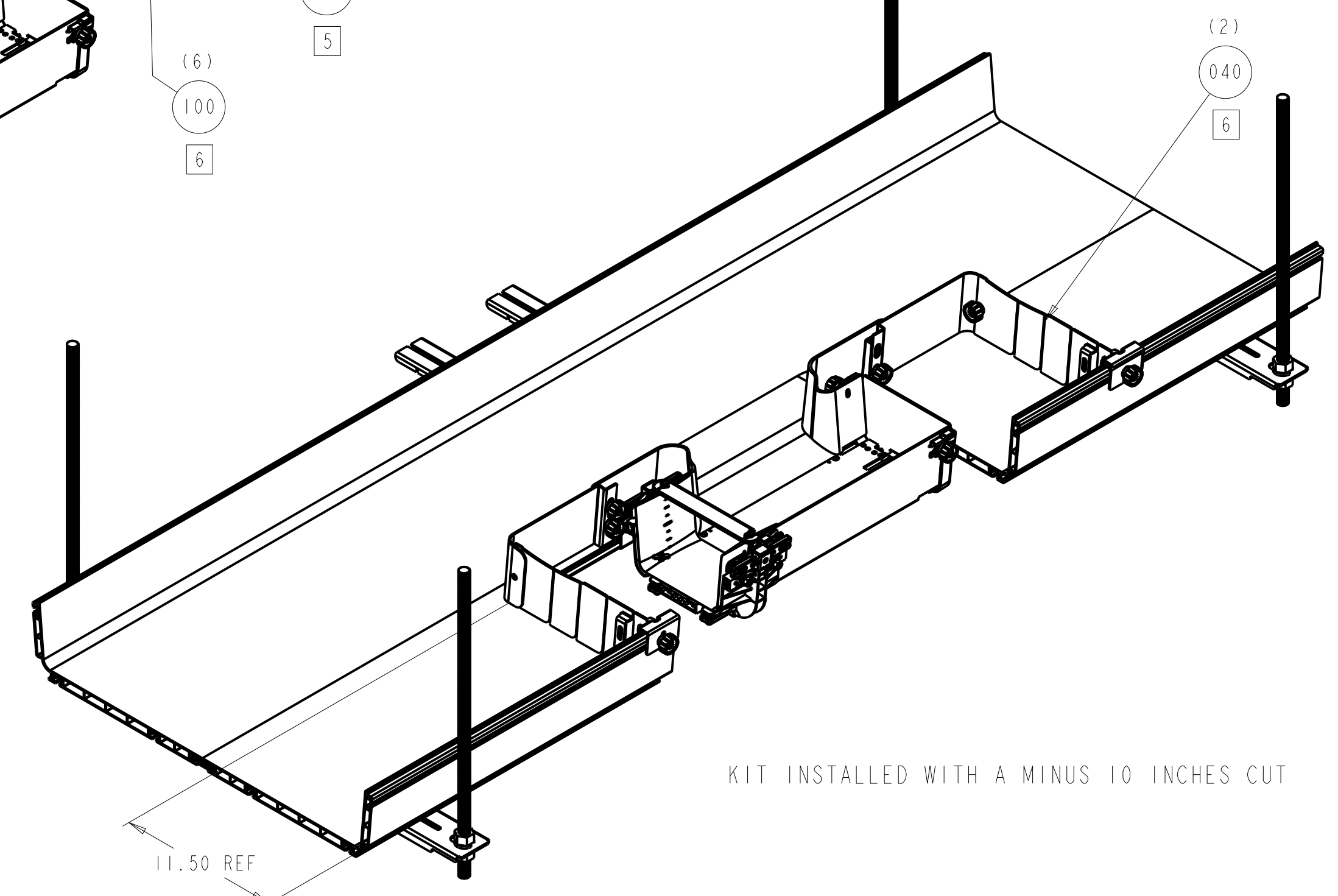
D

STEP 3

KIT INSTALLED WITH A FLUSH CUT



KIT INSTALLED WITH A MINUS 10 INCHES CUT



NOTES:

- [5] ASSEMBLE THE HOLDER BRACKET F/N 050 TO THE SIDE RADIUS WALLS F/N 030 USING K-NOBS F/N 110 AND K-NOS WITH T-BOLT F/N 100. (THIS APPLIES FOR A FLUSH CUT)
- [6] IN CASE THAT A DEEPER CUT NEEDS TO BE DONE USE THE BREAKABLE SIDE WALL F/N 040 TO CLOSE THE SECTION (SEE MORE DETAILS ON PAGE 11).

COMMSCOPE, INC.

© 2016 COMMSCOPE, INC. CONFIDENTIAL NOTICE: THESE DRAWINGS AND SPECIFICATIONS ARE THE PROPRIETARY PROPERTY OF COMMSCOPE, INC. AND MAY BE USED ONLY FOR THE SPECIFIC PURPOSE AUTHORIZED IN WRITING BY COMMSCOPE, INC.		TITLE FLEX-EXIT KIT FOR FGs	
ALL DIMS AND TOLERANCES ARE INCHES UNLESS OTHERWISE SPECIFIED	.XX:±N/A .XXX:±N/A ANGULAR:±N/A	C SIZE	DRAWING NUMBER 300100102528
DO NOT SCALE DRAWING	ENGR: HECTOR UREÑO DWN: HECTOR UREÑO	SHT. 5 OF 17	

DIMENSIONS IN INCHES
THIRD ANGLE PROJECTION

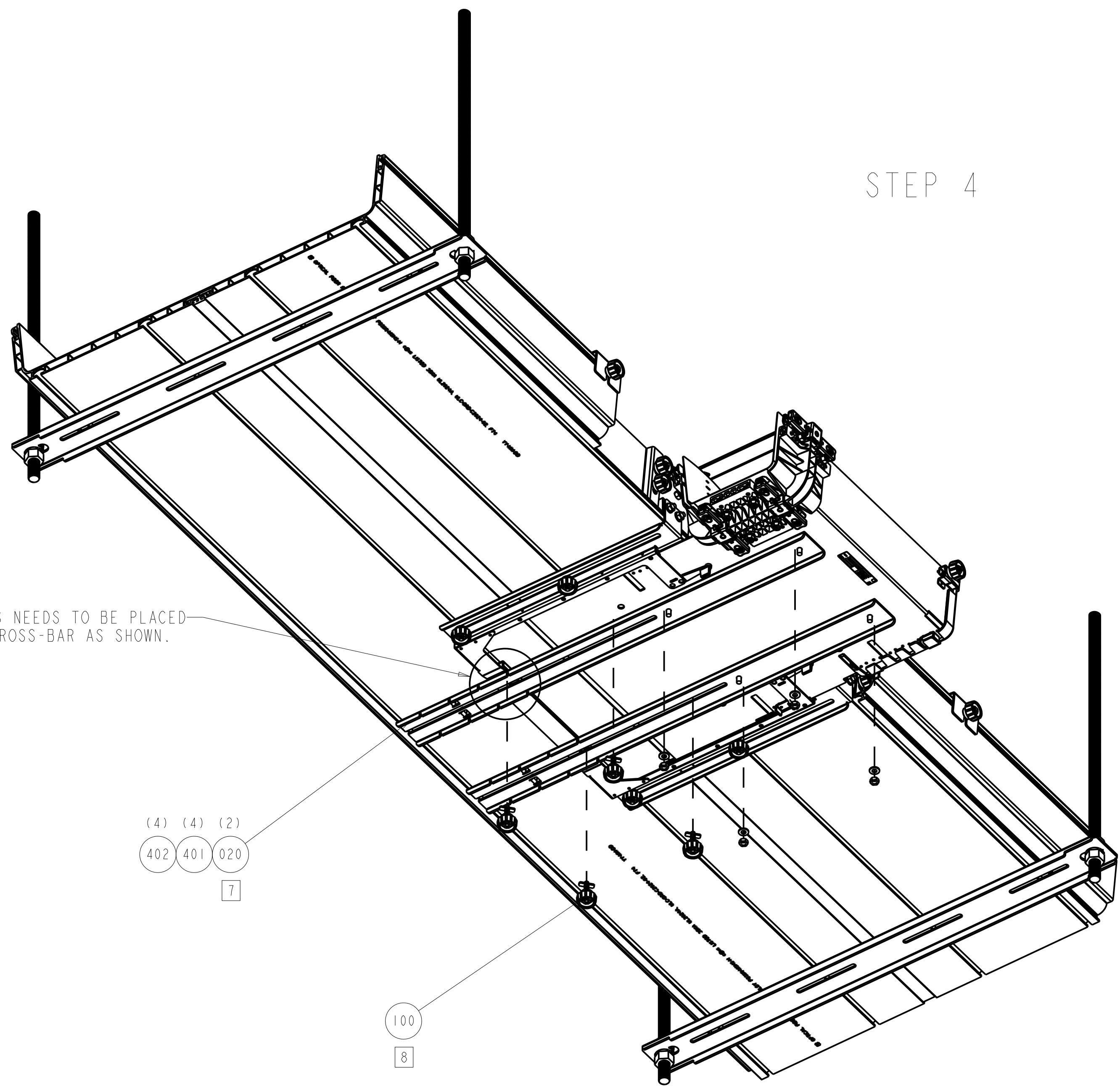
A

B

C

D

STEP 4



THE SUPPORT BRACKETS NEEDS TO BE PLACED OVER THE BEND IN CROSS-BAR AS SHOWN.

(4) (4) (2)
 402 401 020
 7

100
 8

NOTES:

- 7 INSTALL THE SUPPORT BRACKETS F/N 020 WITH WASHERS F/N 401 AND NUTS F/N 402 AS SHOWN.
- 8 USE THE KNOBS WITH T-BOLTS F/N 100 TO HOLD THE SUPPORT BRACKETS.

COMMSCOPE, INC.

© 2016 COMMSCOPE, INC. CONFIDENTIAL
 NOTICE: THESE DRAWINGS AND SPECIFICATIONS ARE THE PROPRIETARY PROPERTY OF COMMSCOPE, INC. AND MAY BE USED ONLY FOR THE SPECIFIC PURPOSE AUTHORIZED IN WRITING BY COMMSCOPE, INC.

TITLE FLEX-EXIT KIT FOR FGS

ALL DIMS AND TOLERANCES .XX:±N/A
 ARE INCHES UNLESS .XXX:±N/A
 OTHERWISE SPECIFIED ANGULAR:±N/A

C SIZE DRAWING NUMBER 300100102528 D REV

DO NOT SCALE DRAWING

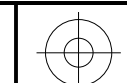
ENGR: HECTOR UREÑO
 DWN: HECTOR UREÑO

SHT. 6 OF 17

A

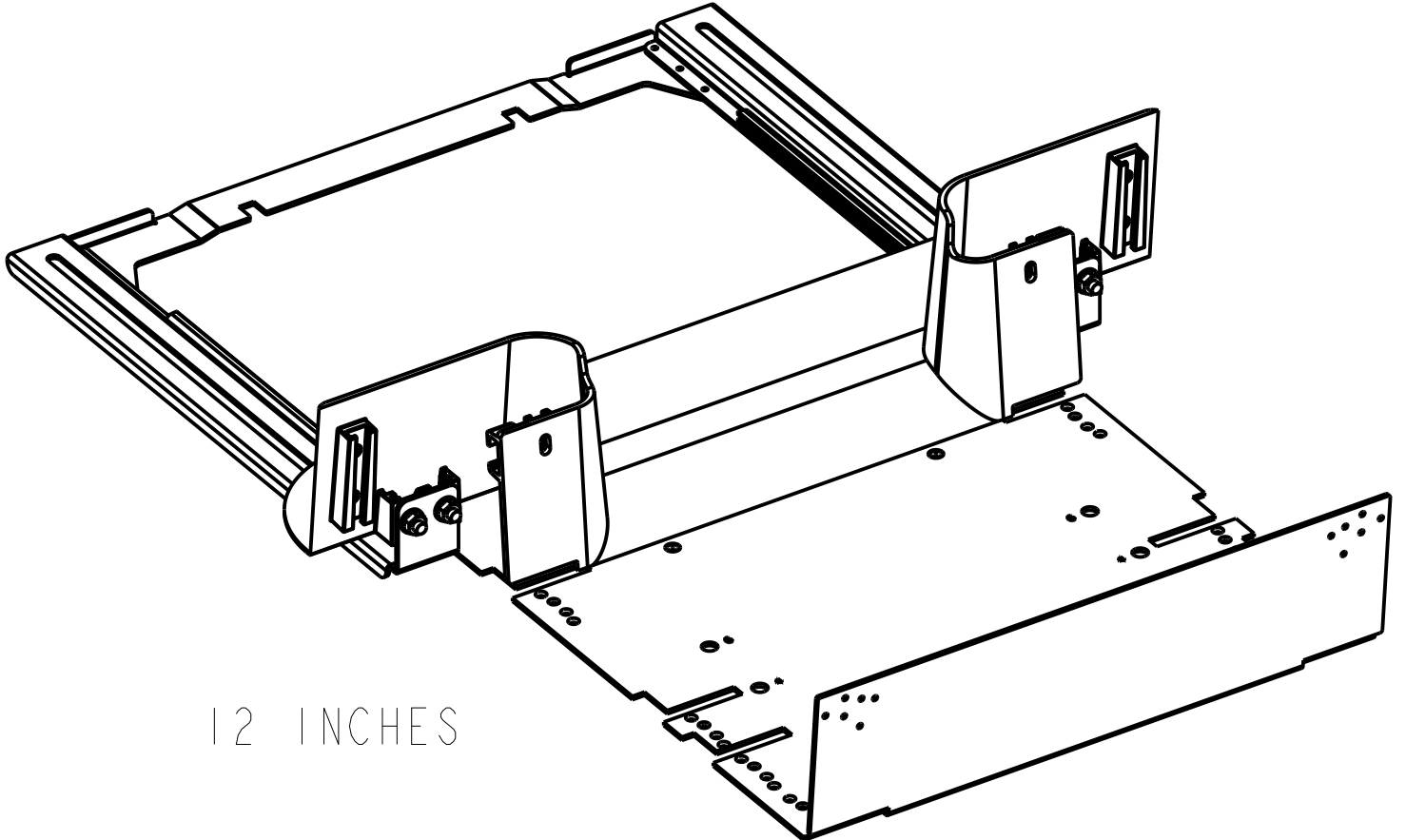
B

C

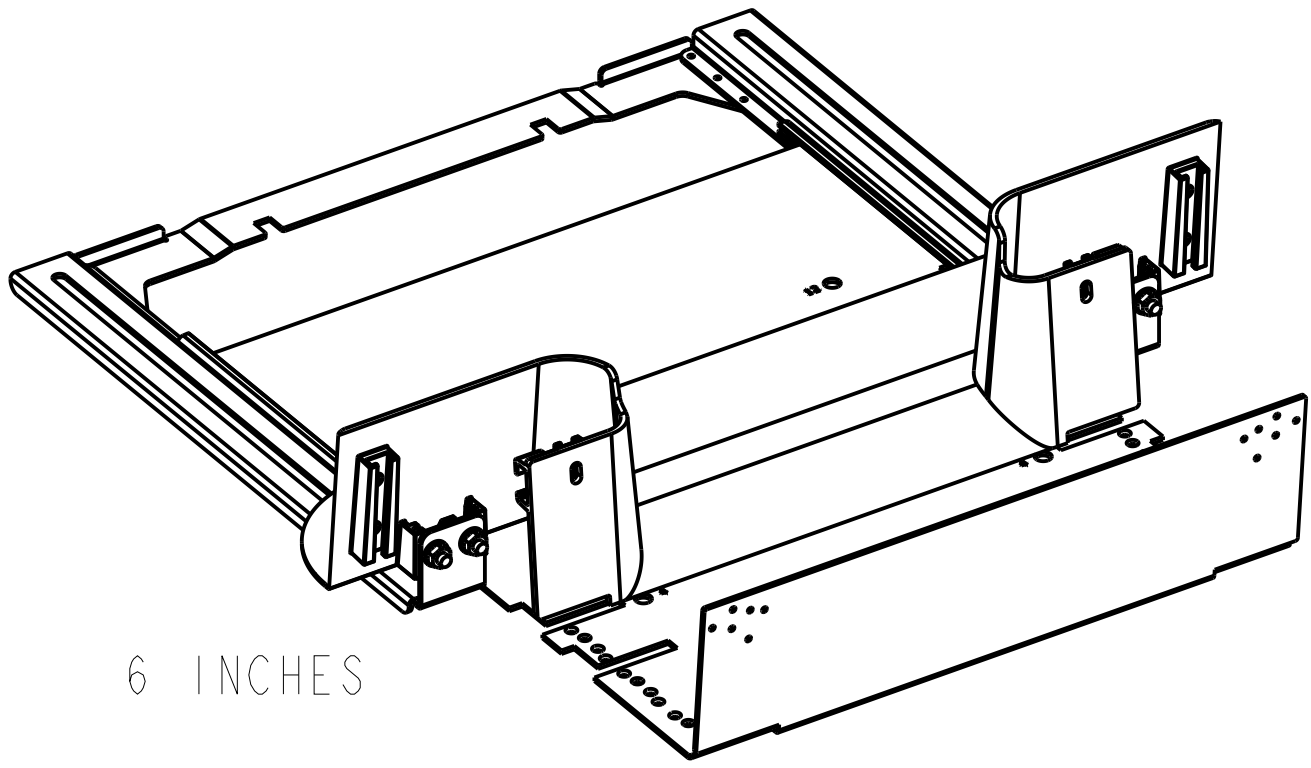


DIMENSIONS IN INCHES
 THIRD ANGLE PROJECTION

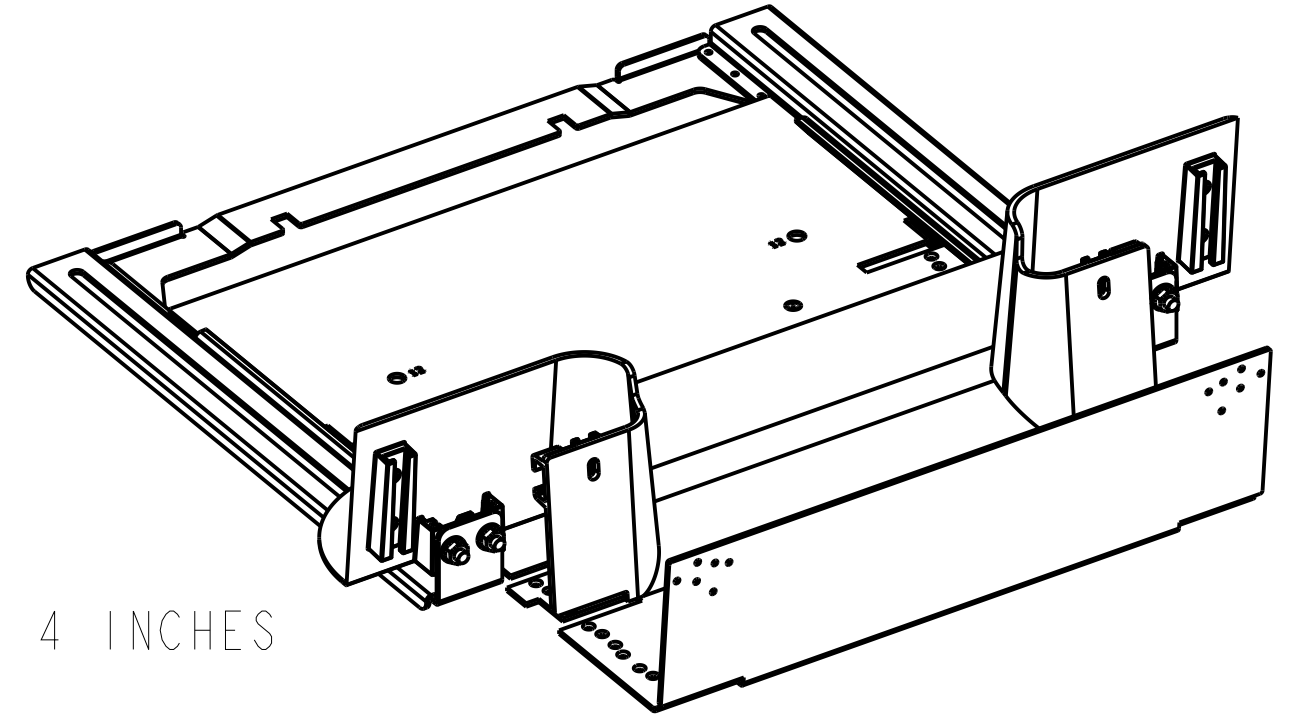
POSITIONS FOR EXPANSION PLATE



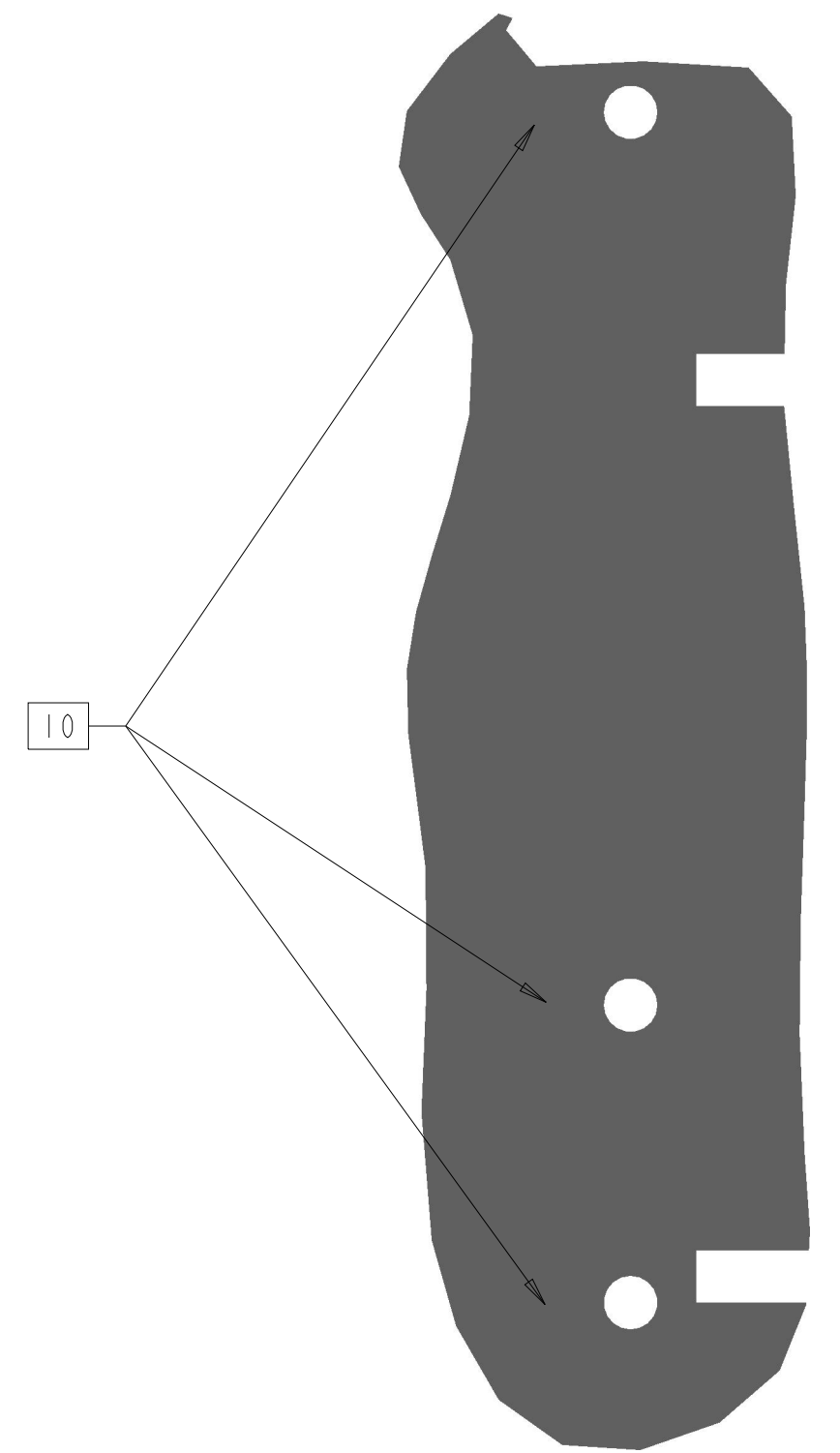
12 INCHES



6 INCHES



4 INCHES



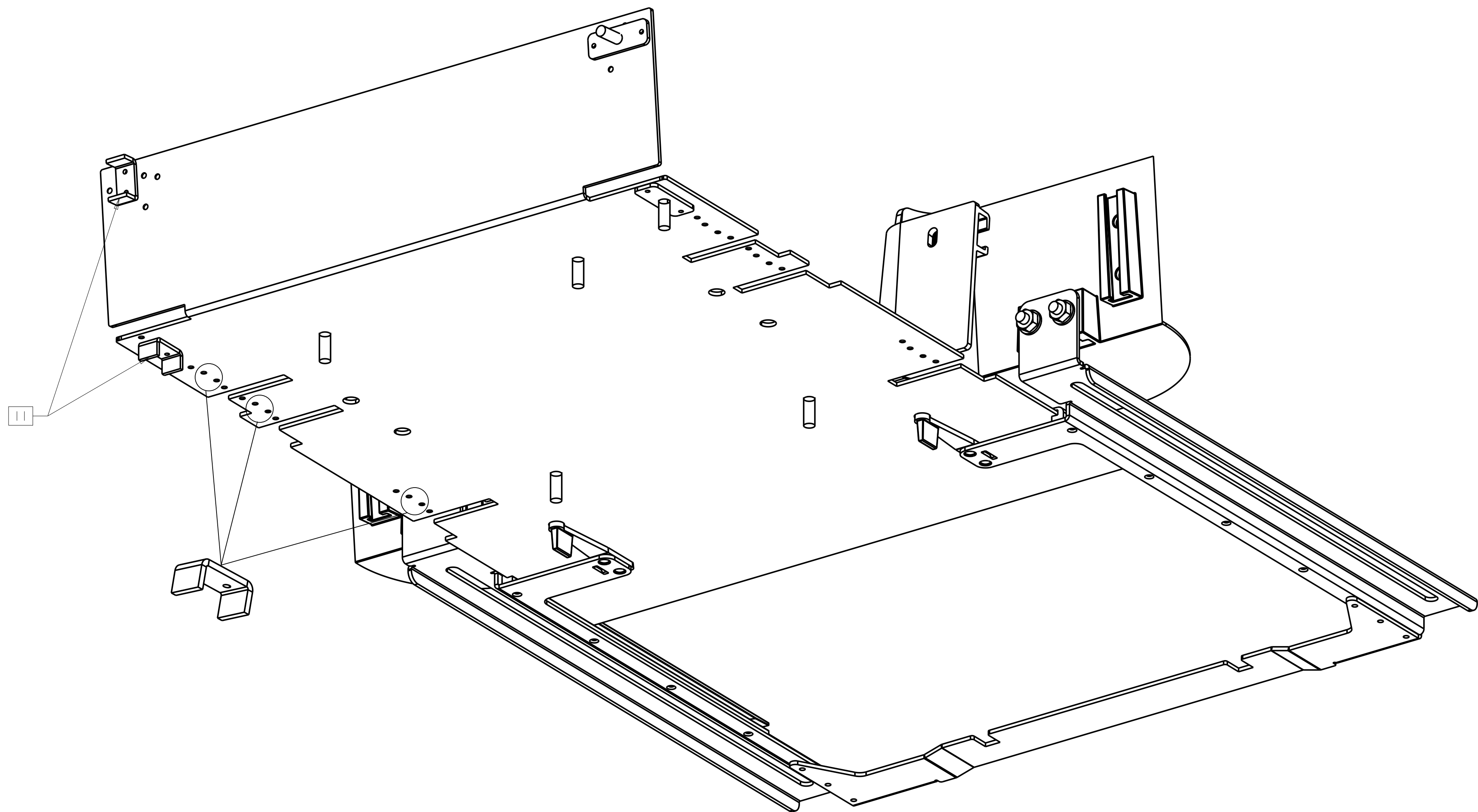
- NOTES:
- 9. THE EXPANSION PLATE COULD BE EXTENDED TO 4 INCH, 6 INCH OR 12 INCH.
 - THIS FUNCTION ALLOWS TO INSTALL:
 - JUNCTIONS (4 INCH, 6 INCH OR 12 INCH).
 - TRUMPETS (4 INCH, 6 INCH OR 12 INCH).
 - END CAPS (4 INCH, 6 INCH OR 12 INCH).
 - 10. USE THE NUMBERS ON THE EXPANSION PLATE FOR REFERENCE.

COMMSCOPE, INC.

<small>© 2016 COMMSCOPE, INC. CONFIDENTIAL NOTICE: THESE DRAWINGS AND SPECIFICATIONS ARE THE PROPRIETARY PROPERTY OF COMMSCOPE, INC. AND MAY BE USED ONLY FOR THE SPECIFIC PURPOSE AUTHORIZED IN WRITING BY COMMSCOPE, INC.</small>		TITLE FLEX-EXIT KIT FOR FGS	
<small>ALL DIMS AND TOLERANCES ARE INCHES UNLESS OTHERWISE SPECIFIED</small>	<small>.XX:±N/A .XXX:±N/A ANGULAR:±N/A</small>	C SIZE	DRAWING NUMBER 300100102528
DO NOT SCALE DRAWING		ENGR: HECTOR URENO DWN:	SHT. 7 OF 17

DIMENSIONS IN INCHES
THIRD ANGLE PROJECTION

BRACKETS FOR JUNCTION INSTALLATION



NOTES:

11 TO INSTALL A JUNCTION ASSEMBLE 3 U-BRACKETS.

THE FIRST TWO ARE ALWAYS ON THE SAME POSITION THE OTHER ONE NEEDS TO BE INSTALLED DEPENDING ON THE SIZE OF THE JUNCTION.

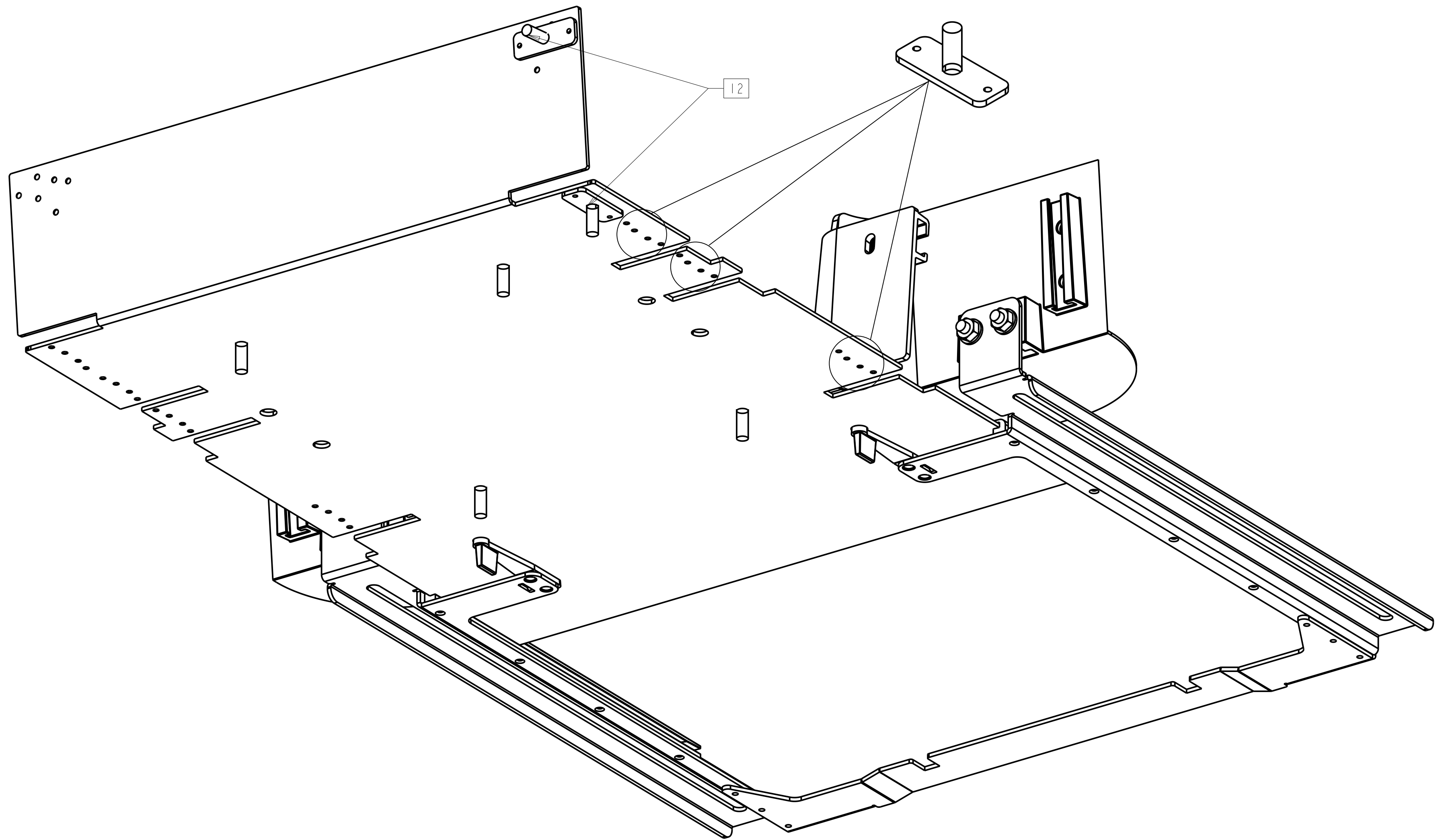
THIS VIEW SHOWS THE LEFT SIDE INSTALLATION, FOR THE RIGHT SIDE ARE THE SAME LOCATIONS.

<small>© 2016 COMMSCOPE, INC. CONFIDENTIAL NOTICE: THESE DRAWINGS AND SPECIFICATIONS ARE THE PROPRIETARY PROPERTY OF COMMSCOPE, INC. AND MAY BE USED ONLY FOR THE SPECIFIC PURPOSE AUTHORIZED IN WRITING BY COMMSCOPE, INC.</small>		TITLE FLEX-EXIT KIT FOR FGS	
<small>ALL DIMS AND TOLERANCES .XX:±N/A ARE INCHES UNLESS .XXX:±N/A OTHERWISE SPECIFIED ANGULAR:±N/A</small>		C <small>SIZE</small>	DRAWING NUMBER 300100102528
DO NOT SCALE DRAWING		ENGR: ERIK ESTRADA DWN: ISAI MELENDEZ	SHT. 8 OF 17

COMMSCOPE, INC.

**DIMENSIONS IN INCHES
 THIRD ANGLE PROJECTION**

BRACKETS FOR TRUMPET INSTALLATION



NOTES:

[12] TO INSTALL A JUNCTION ASSEMBLE 3 TRUMPET BRACKETS.

THE FIRST TWO ARE ALWAYS ON THE SAME POSITION THE OTHER ONE NEEDS TO BE INSTALLED DEPENDING ON THE SIZE OF THE JUNCTION.

THIS VIEW SHOWS THE RIGHT SIDE INSTALLATION, FOR THE LEFT SIDE ARE THE SAME LOCATIONS.

COMMSCOPE, INC.

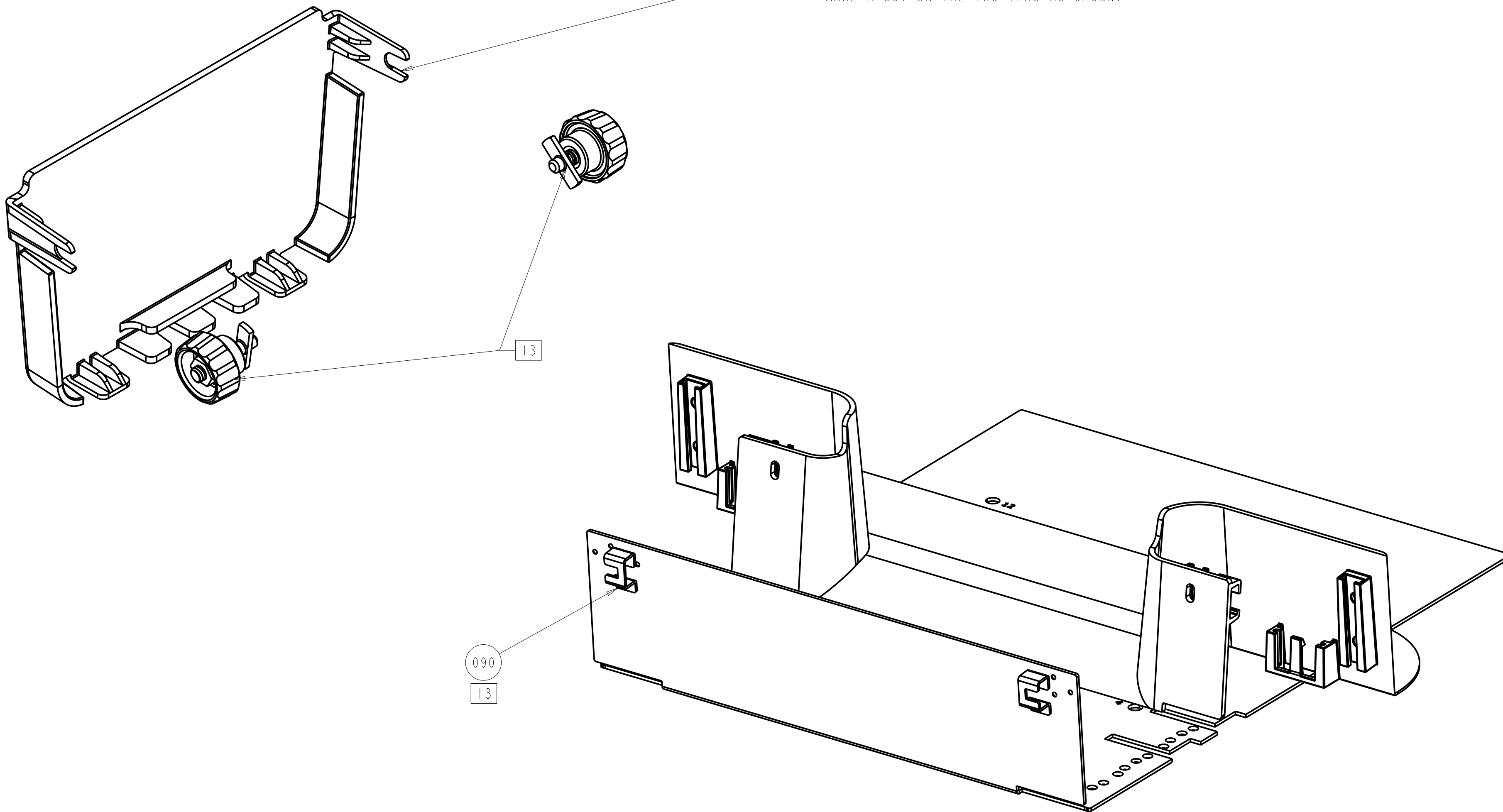
<small>© 2016 COMMSCOPE, INC. CONFIDENTIAL NOTICE: THESE DRAWINGS AND SPECIFICATIONS ARE THE PROPRIETARY PROPERTY OF COMMSCOPE, INC. AND MAY BE USED ONLY FOR THE SPECIFIC PURPOSE AUTHORIZED IN WRITING BY COMMSCOPE, INC.</small>		<small>TITLE</small> FLEX-EXIT KIT FOR FGS	
<small>ALL DIMS AND TOLERANCES .XX:±N/A ARE INCHES UNLESS .XXX:±N/A OTHERWISE SPECIFIED ANGULAR:±N/A</small>		<small>C SIZE</small>	<small>DRAWING NUMBER</small> 300100102528
<small>DO NOT SCALE DRAWING</small>		<small>ENGR: HECTOR UREÑO DWN: ERIK ESTRADA</small>	<small>SHT. 9 OF 17</small>


**DIMENSIONS IN INCHES
 THIRD ANGLE PROJECTION**

ENDCAP INSTALLATION

6 INCHES ENDCAP SHOWN FOR REFERENCE

IF YOU NEED TO INSTALL A 4 IN OR A 12 IN TRUMPET MAKE A CUT ON THE TWO TABS AS SHOWN.



NOTES:

[13] TO INSTALL THE ENDCAP ASSEMBLE 2 KNOB WITH T-BOLT AS SHOWN.

IF YOU WANT TO INSTALL THE ENDCAP ON THE RIGHT SIDE, USE THE BRACKET THAT COMES ALREADY INSTALLED ON THE EXPANSION PLATE.

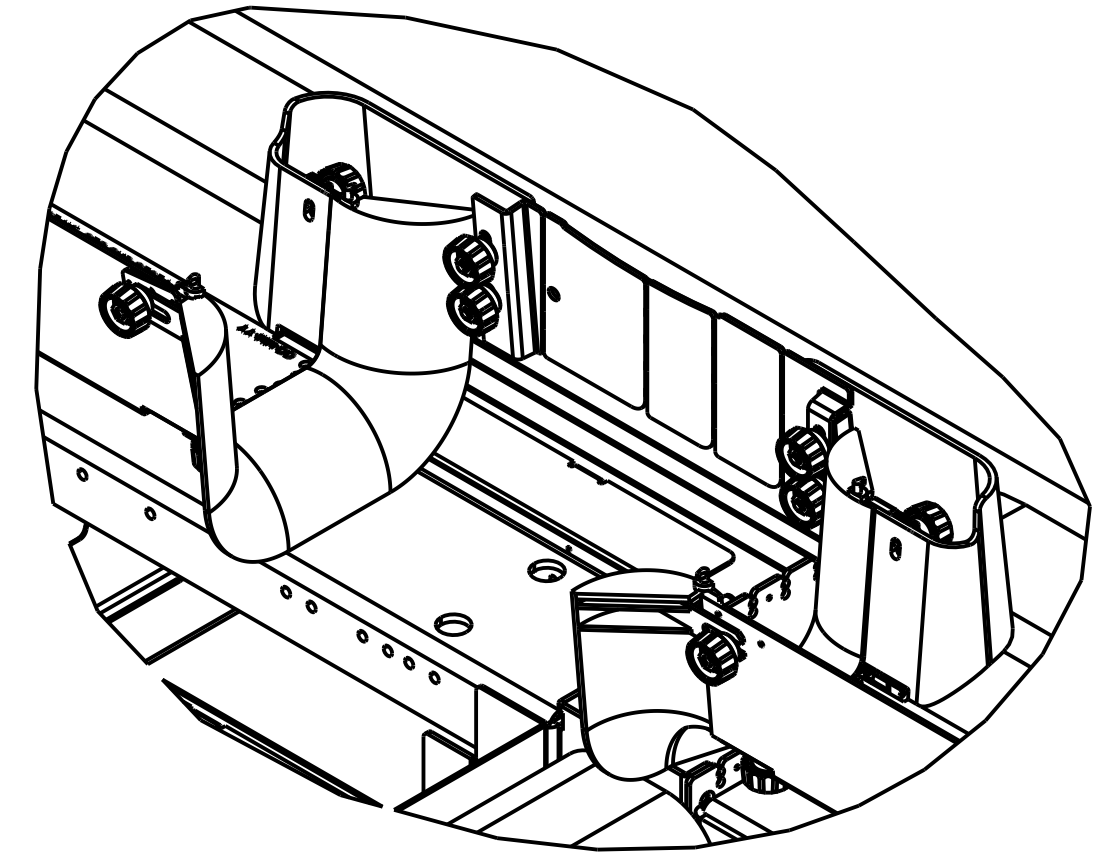
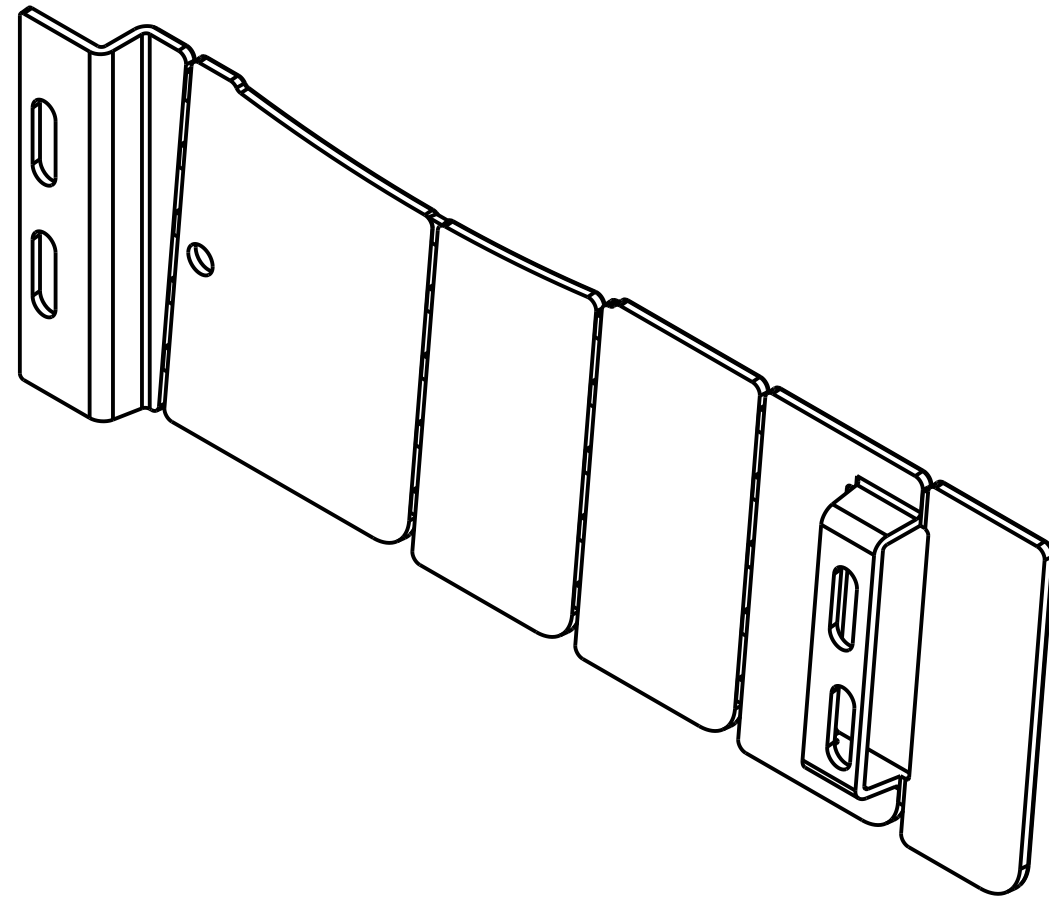
FOR THE LEFT SIDE INSTALL THE BRACKET F/N 090 AS SWOWN USING TWO SCREWS F/N 400 INCLUDED WITH THE KIT.

COMMSCOPE, INC.

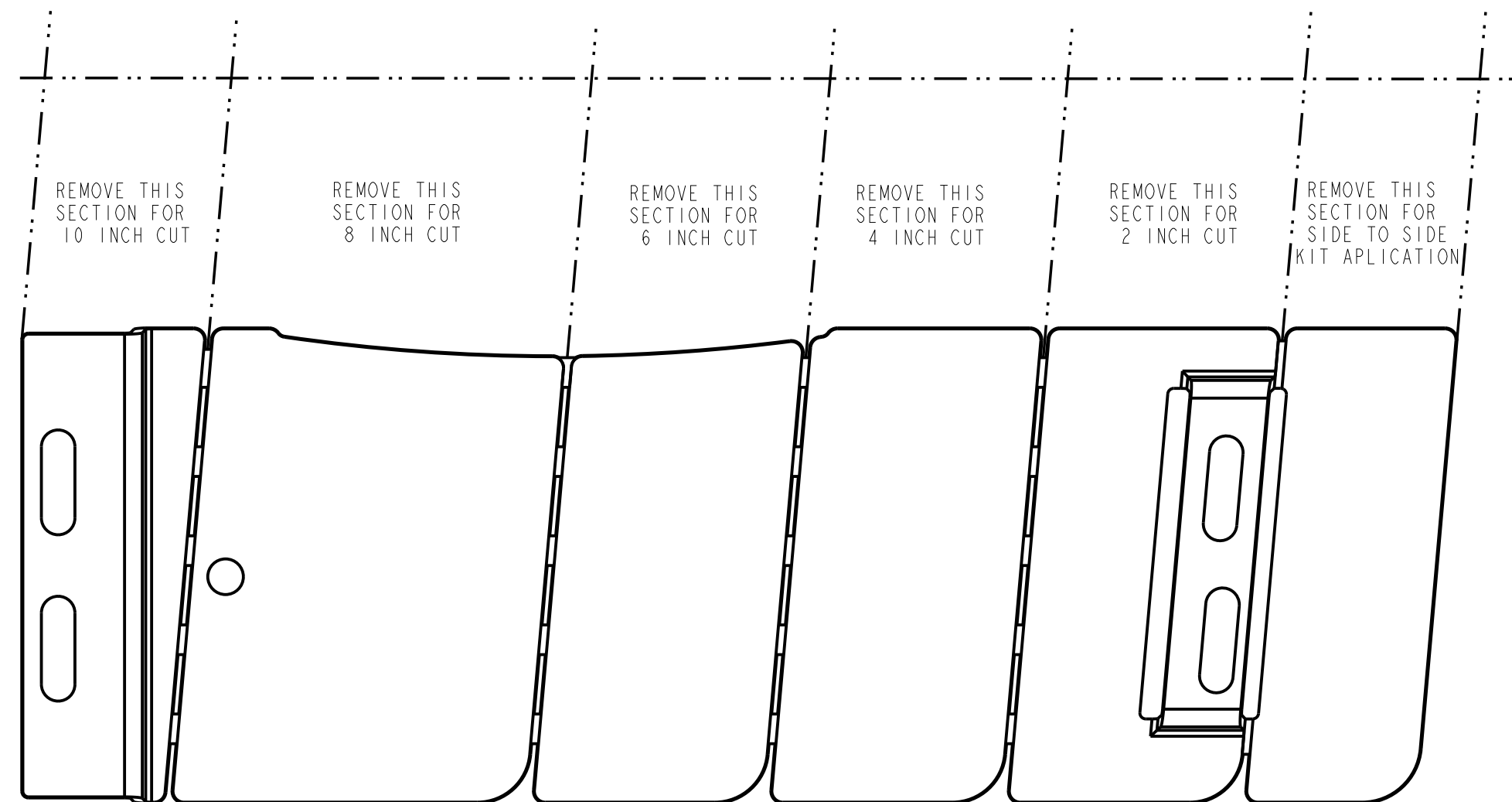
<small>© 2016 COMMSCOPE, INC. CONFIDENTIAL NOTICE: THESE DRAWINGS AND SPECIFICATIONS ARE THE PROPRIETARY PROPERTY OF COMMSCOPE, INC. AND MAY BE USED ONLY FOR THE SPECIFIC PURPOSE AUTHORIZED IN WRITING BY COMMSCOPE, INC.</small>		TITLE FLEX-EXIT KIT FOR FGS	
<small>ALL DIMS AND TOLERANCES .XX:±N/A ARE INCHES UNLESS .XXX:±N/A OTHERWISE SPECIFIED ANGULAR:±N/A</small>	C SIZE	DRAWING NUMBER 300100102528	D REV
DO NOT SCALE DRAWING	ENGR: HECTOR UREÑO DWN: HECTOR UREÑO		SHT. 10 OF 17

DIMENSIONS IN INCHES
 THIRD ANGLE PROJECTION

BREAKABLE SIDE WALL INSTALLATION



TWO KITS INSTALLED SIDE TO SIDE



NOTES:

14. THE KIT INCLUDES TWO BREAKABLE SIDE WALLS, THIS PART CAN BE BROKEN DEPENDING ON THE CUT THAT WAS DONE ON THE STRAIGHT SECTION.

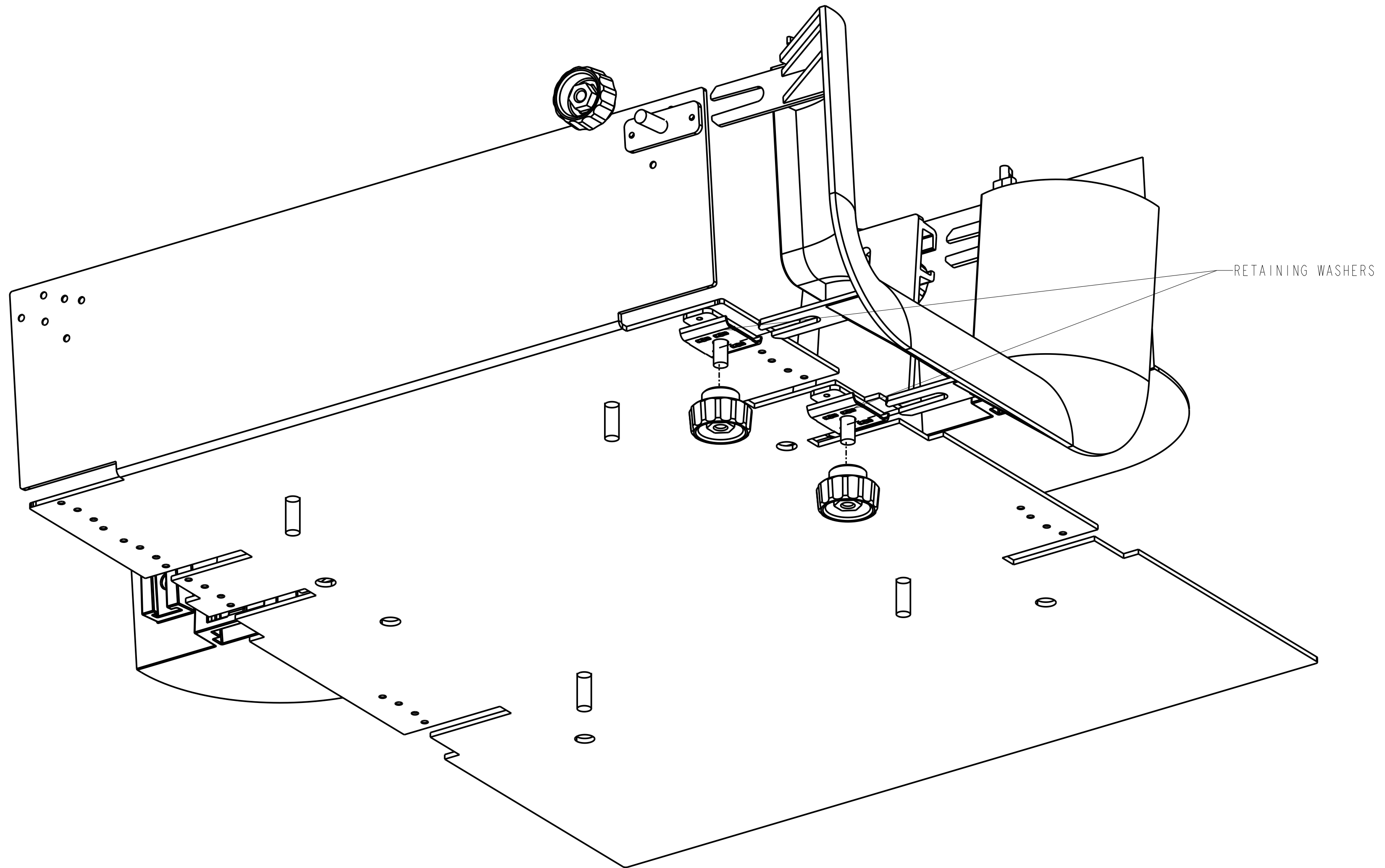
ALSO THIS PIECE CAN BE USED TO CLOSE THE SPACE BETWEEN TWO KITS AS SHOWN. (SEE THE LAST PAGE FOR REFERENCE).

COMMSCOPE, INC.

<small>© 2016 COMMSCOPE, INC. CONFIDENTIAL NOTICE: THESE DRAWINGS AND SPECIFICATIONS ARE THE PROPRIETARY PROPERTY OF COMMSCOPE, INC. AND MAY BE USED ONLY FOR THE SPECIFIC PURPOSE AUTHORIZED IN WRITING BY COMMSCOPE, INC.</small>		TITLE FLEX-EXIT KIT FOR FGS	
<small>ALL DIMS AND TOLERANCES ARE INCHES UNLESS OTHERWISE SPECIFIED</small>	<small>.XX:±N/A .XXX:±N/A ANGULAR:±N/A</small>	C SIZE DRAWING NUMBER 300100102528	D REV
DO NOT SCALE DRAWING		ENGR: HECTOR UREÑO DWN: HECTOR UREÑO	SHT. 11 OF 17

DIMENSIONS IN INCHES
 THIRD ANGLE PROJECTION

TRUMPET INSTALLATION



RETAINING WASHERS

NOTES:

15. AFTER INSTALL THE BRACKETS FOR THE TRUMPET, USE A RETAINING WASHER BETWEEN THE BRACKET AND THE TRUMPET TAB AS SHOWN. THIS APPLIES ONLY ON THE BRACKETS LOCATED UNDER THE EXPANSION PLATE.

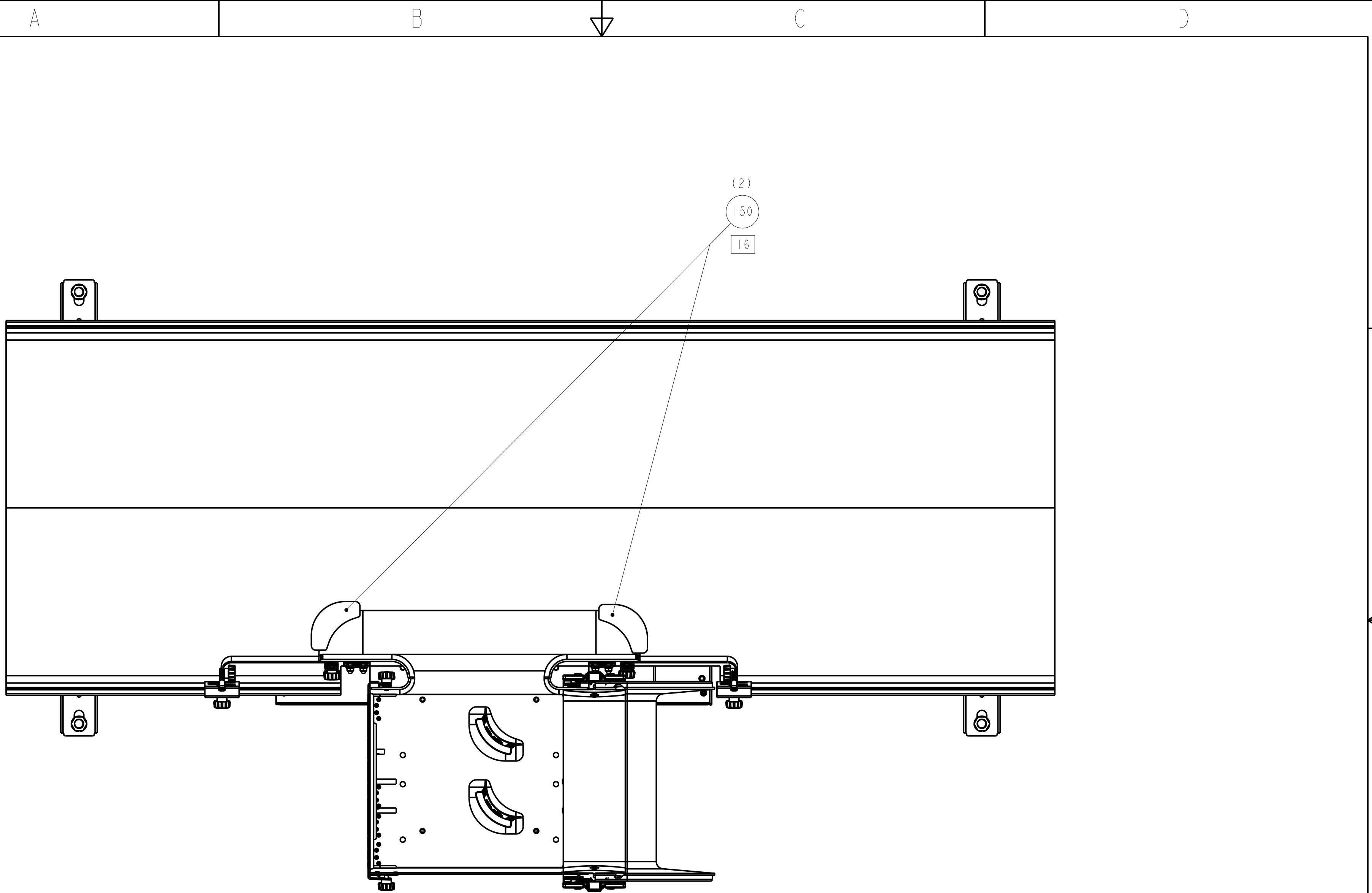
THESE RETAINING WASHERS COMES WITH EACH TRUMPET (4 INCH, 6 INCH AND 12 INCH)

COMMSCOPE, INC.

<small>© 2016 COMMSCOPE, INC. CONFIDENTIAL NOTICE: THESE DRAWINGS AND SPECIFICATIONS ARE THE PROPRIETARY PROPERTY OF COMMSCOPE, INC. AND MAY BE USED ONLY FOR THE SPECIFIC PURPOSE AUTHORIZED IN WRITING BY COMMSCOPE, INC.</small>		TITLE FLEX-EXIT KIT FOR FGS	
<small>ALL DIMS AND TOLERANCES .XX:±N/A ARE INCHES UNLESS .XXX:±N/A OTHERWISE SPECIFIED ANGULAR:±N/A</small>	C SIZE	DRAWING NUMBER 300100102528	D REV
DO NOT SCALE DRAWING	ENGR: HECTOR UREÑO DWN: HECTOR UREÑO	SHT. 12 OF 17	



**DIMENSIONS IN INCHES
 THIRD ANGLE PROJECTION**



NOTES:

16 IN CASE THAT EXIST A LITTLE GAP BETWEEN THE ROUND CORNERS OF THE FIT-IN AND THE STRAIGHT SECTION USE DOUBLE TAPE F/N 150 AS SHOWN.

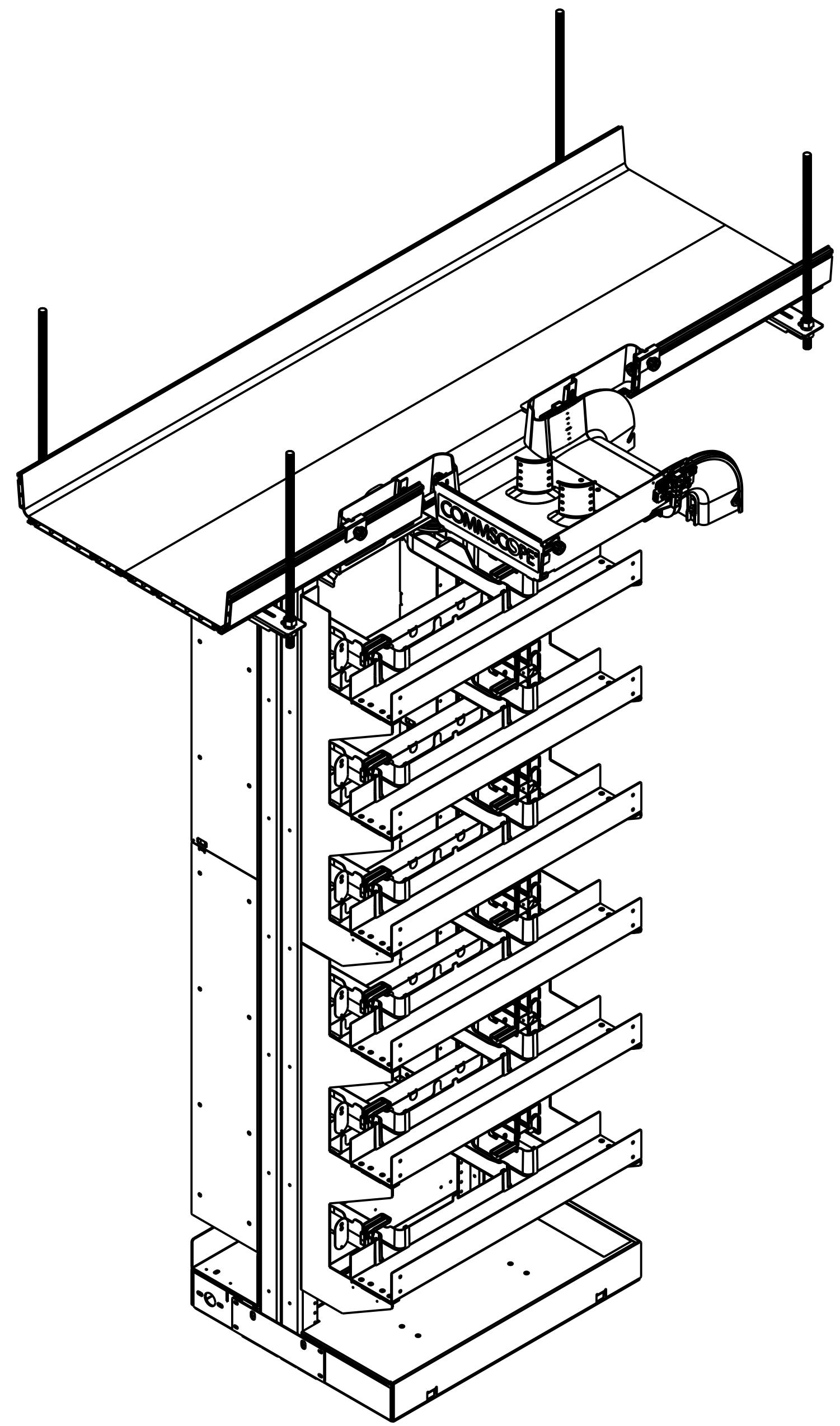
COMMSCOPE, INC.

<small>© 2016 COMMSCOPE, INC. CONFIDENTIAL NOTICE: THESE DRAWINGS AND SPECIFICATIONS ARE THE PROPRIETARY PROPERTY OF COMMSCOPE, INC. AND MAY BE USED ONLY FOR THE SPECIFIC PURPOSE AUTHORIZED IN WRITING BY COMMSCOPE, INC.</small>		TITLE FLEX-EXIT KIT FOR FGS	
<small>ALL DIMS AND TOLERANCES .XX:±N/A ARE INCHES UNLESS .XXX:±N/A OTHERWISE SPECIFIED ANGULAR:±N/A</small>	C SIZE	DRAWING NUMBER 300100102528	D REV
DO NOT SCALE DRAWING	ENGR: HECTOR UREÑO DWN: HECTOR UREÑO	SHT. 13 OF 17	

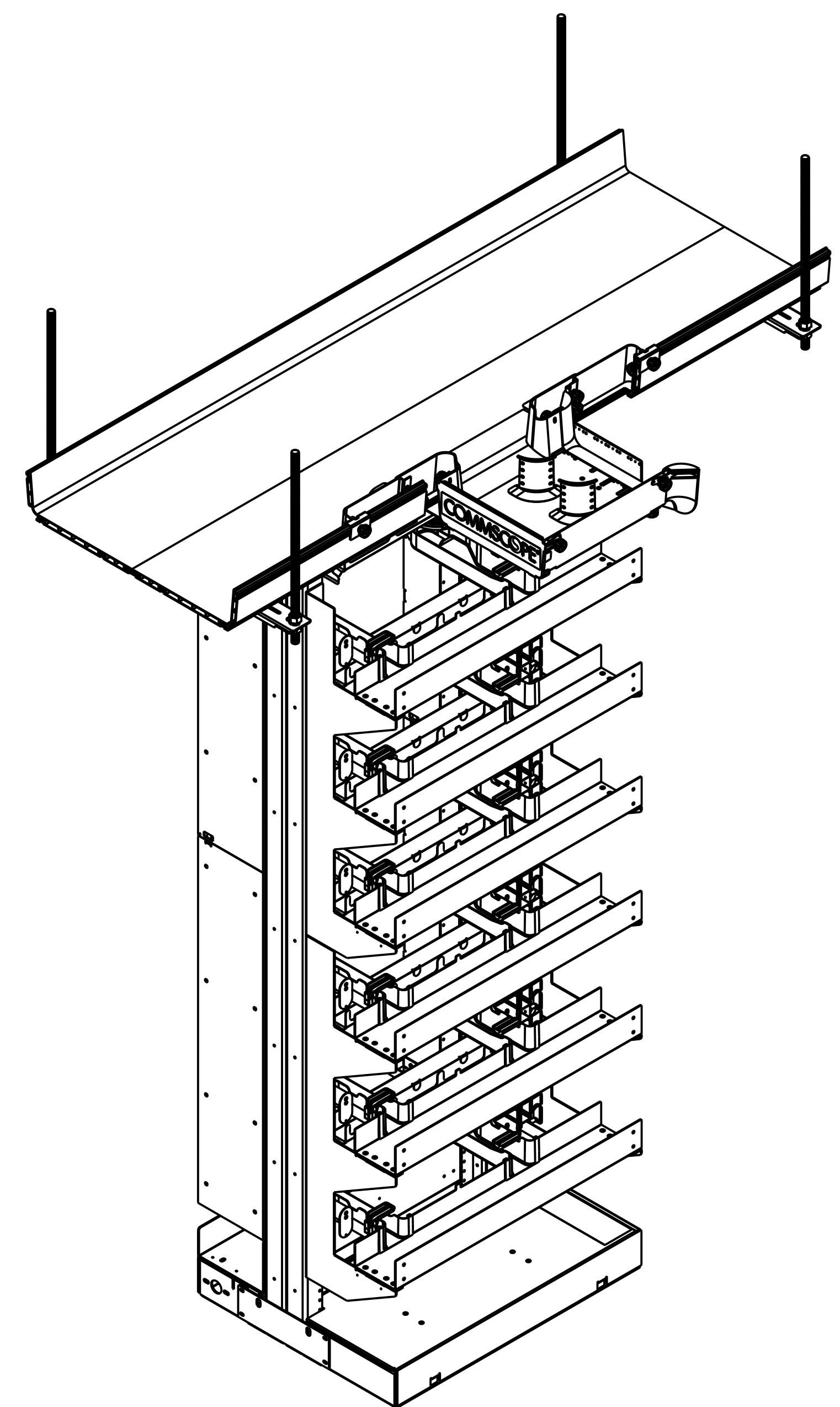


**DIMENSIONS IN INCHES
 THIRD ANGLE PROJECTION**

A B C D
RIGHT EXIT WITH 12" 90° DOWN ELBOW



RIGHT EXIT WITH 12" TRUMPET



COMMSCOPE, INC.

© 2016 COMMSCOPE, INC. CONFIDENTIAL
NOTICE: THESE DRAWINGS AND SPECIFICATIONS
ARE THE PROPRIETARY PROPERTY OF
COMMSCOPE, INC. AND MAY BE USED ONLY FOR THE
SPECIFIC PURPOSE AUTHORIZED IN WRITING BY
COMMSCOPE, INC.

ALL DIMS AND TOLERANCES .XX:±N/A
ARE INCHES UNLESS .XXX:±N/A
OTHERWISE SPECIFIED ANGULAR:±N/A

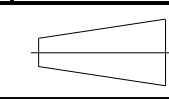
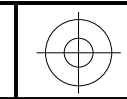
DO NOT SCALE DRAWING

ENGR: HECTOR UREÑO
DWN: HECTOR UREÑO

TITLE
FLEX-EXIT KIT FOR FGs

DRAWING NUMBER
300100102528

SHT. 14 OF 17



DIMENSIONS IN INCHES
THIRD ANGLE PROJECTION

A

B

C

D

84.00 REF

60.00 REF

SEE DETAIL A

4.00 REF

24.00 REF

INNER-CONNECT APPLICATION

SIDE TO SIDE PLACEMENT FOR ADJACENT
FRAMES WITH 6" TRUMPET

COMMSCOPE, INC.

© 2016 COMMSCOPE, INC. CONFIDENTIAL
NOTICE: THESE DRAWINGS AND SPECIFICATIONS
ARE THE PROPRIETARY PROPERTY OF
COMMSCOPE, INC. AND MAY BE USED ONLY FOR THE
SPECIFIC PURPOSE AUTHORIZED IN WRITING BY
COMMSCOPE, INC.

ALL DIMS AND TOLERANCES .XX:±N/A
ARE INCHES UNLESS .XXX:±N/A
OTHERWISE SPECIFIED ANGULAR:±N/A

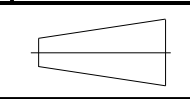
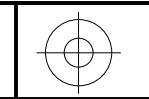
DO NOT SCALE DRAWING

TITLE
FLEX-EXIT KIT FOR FGS

DRAWING NUMBER
300100102528

ENGR: HECTOR UREÑO
DWN: HECTOR UREÑO

SHT. 15 OF 17



DIMENSIONS IN INCHES
THIRD ANGLE PROJECTION

A

B

C

1

2

3

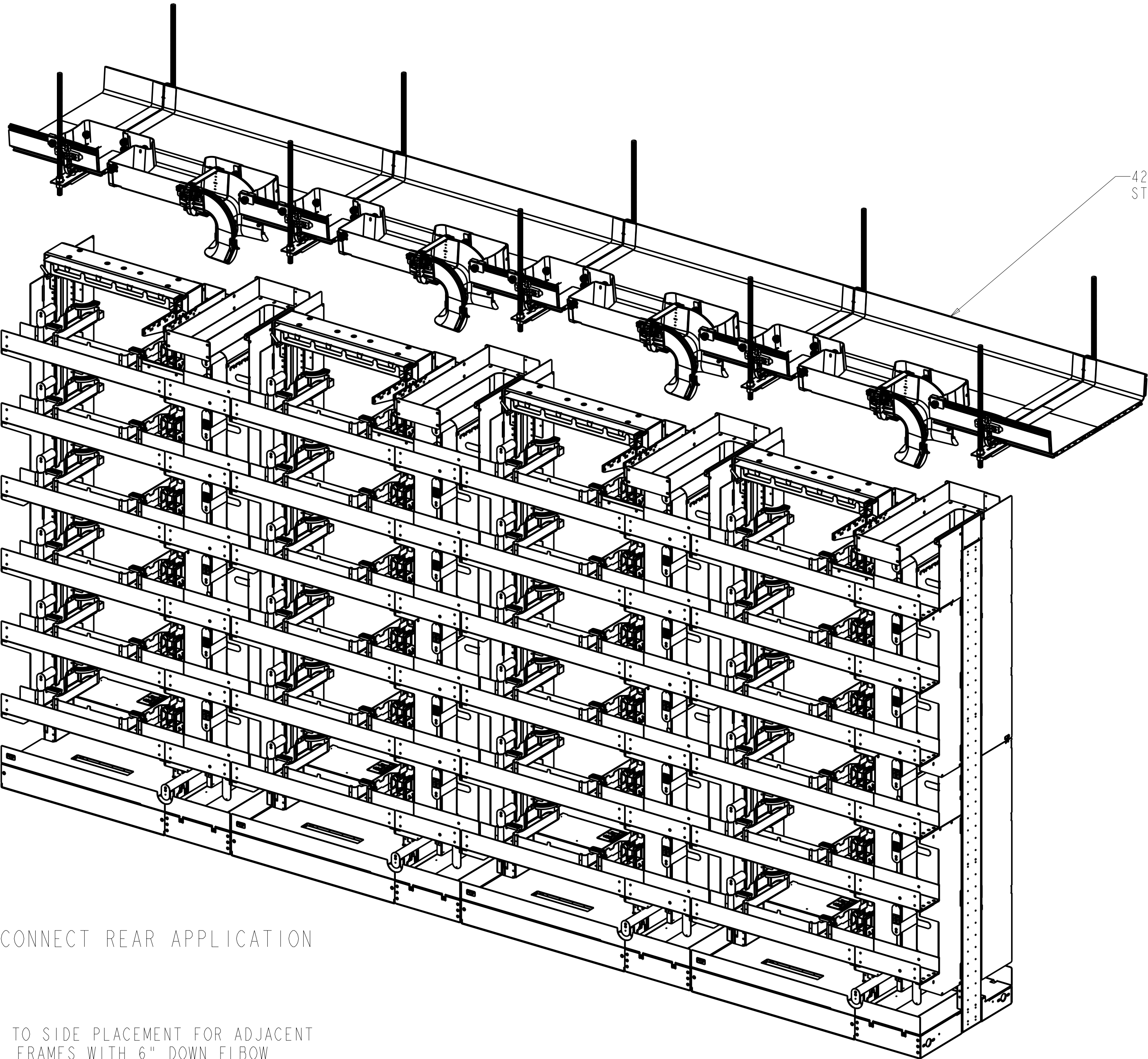
4

1

2

3

4



42 INCHES STRAIGHT SECTION

CROSS-CONNECT REAR APPLICATION

SIDE TO SIDE PLACEMENT FOR ADJACENT FRAMES WITH 6" DOWN ELBOW

COMMSCOPE, INC.

<small>© 2016 COMMSCOPE, INC. CONFIDENTIAL NOTICE: THESE DRAWINGS AND SPECIFICATIONS ARE THE PROPRIETARY PROPERTY OF COMMSCOPE, INC. AND MAY BE USED ONLY FOR THE SPECIFIC PURPOSE AUTHORIZED IN WRITING BY COMMSCOPE, INC.</small>		TITLE FLEX-EXIT KIT FOR FGs	
<small>ALL DIMS AND TOLERANCES .XX:±.XX ARE INCHES UNLESS .XXX:±.XXX OTHERWISE SPECIFIED ANGULAR:±N/A</small>		C SIZE	DRAWING NUMBER 300100102528
DO NOT SCALE DRAWING		ENGR: MARK MEREDITH DWN: MARK MEREDITH	SHT. 16 OF 17

DIMENSIONS IN INCHES
 THIRD ANGLE PROJECTION

A

B

C

D

SIDE TO SIDE PLACEMENT FOR FOTSP AND FRAMES WITH 6" 90° DOWN ELBOW

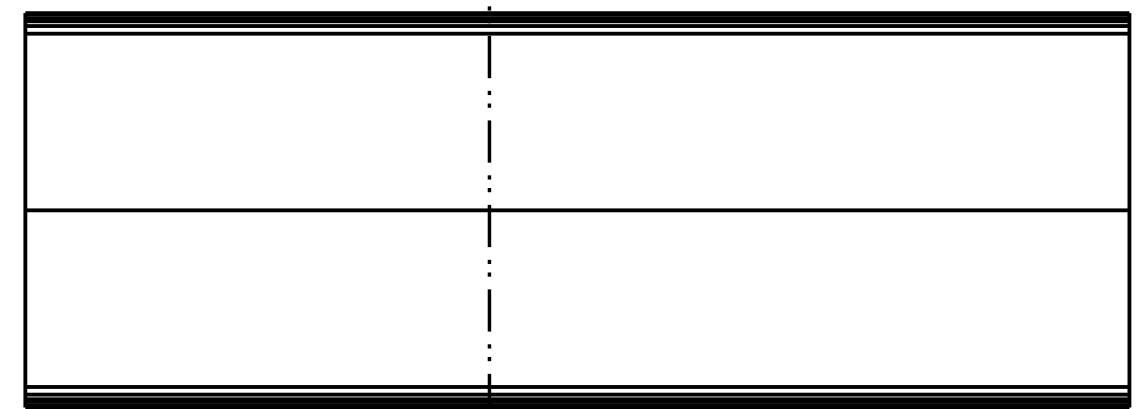
42 INCHES STRAIGHT SECTION

42.00 REF

2.50 REF

30.00

17



NOTES:

17 TO PERFORM THIS CONFIGURATION A 30 INCHES CUT NEEDS TO BE DONE ON THE STRAIGHT SECTION (FHS-MSHS-H).

COMMSCOPE, INC.

© 2016 COMMSCOPE, INC. CONFIDENTIAL
NOTICE: THESE DRAWINGS AND SPECIFICATIONS ARE THE PROPRIETARY PROPERTY OF COMMSCOPE, INC. AND MAY BE USED ONLY FOR THE SPECIFIC PURPOSE AUTHORIZED IN WRITING BY COMMSCOPE, INC.

ALL DIMS AND TOLERANCES .XX:±.xx
ARE INCHES UNLESS .XXX:±.xxx
OTHERWISE SPECIFIED ANGULAR:±N/A

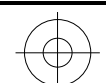
DO NOT SCALE DRAWING

TITLE FLEX-EXIT KIT FOR FGS

DRAWING NUMBER 300100102528

ENGR: MIKE DAVIS
DWN: DEREK SAYRES

SHT. 17 OF 17



DIMENSIONS IN INCHES
THIRD ANGLE PROJECTION