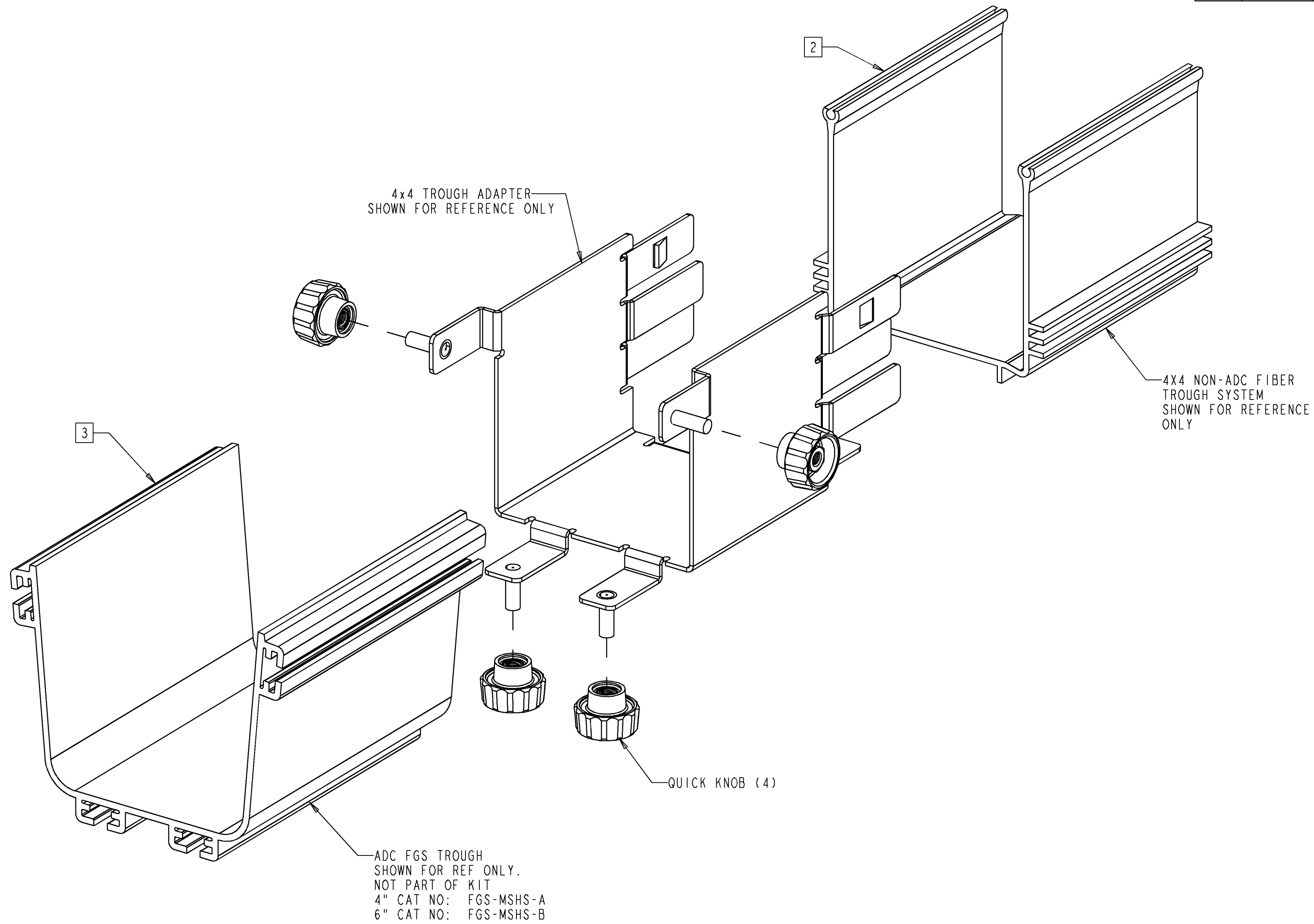


REV	MCO	DWN	DATE
A	20153497	JMT	09-JUL-04
B	20165525	GNM	01-MAR-05



1. ITEMS INCLUDED WITH KIT:
 1. (1) APPROPRIATE FGS CONVERTER
 2. (4) QUICK KNOBS
 3. 23" TAPE

2. FIRMLY SEAT ADAPTER AGAINST NON-ADC TROUGH. SIDES OF TROUGH MAY HAVE TO FLEX TO FIT INTO ADAPTER.
3. ASSEMBLE ADC FGS TO ADAPTER AND ATTACH QUICK KNOBS AS SHOWN. SIDES OF TROUGH MAY HAVE TO FLEX TO FIT INTO ADAPTER.
4. CUT TAPE IN HALF AND APPLY ALONG SEAMS WHERE THE ADAPTER MEETS THE TROUGHS.
5. SUPPORT TROUGHS ON BOTH SIDES OF ADAPTER.

FGS-ACCI46	6"
FGS-ACCI39	4"
CATALOG NO.	SIZE



INFORMATION ON THIS DOCUMENT IS PROPRIETARY TO ADC AND SHALL NOT BE USED, COPIED, REPRODUCED OR DISCLOSED IN WHOLE OR IN PART WITHOUT WRITTEN CONSENT OF ADC.

ALL DIMS AND TOLERANCES ARE INCHES UNLESS OTHERWISE SPECIFIED

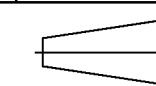
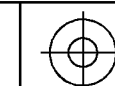
DO NOT SCALE DRAWING

TITLE: FGS TO TELECT WAVE TRAX INSTALLATION DRAWING

DRAWING NUMBER: 1298600

ENGR: STEVE ANDERSON
 DWN: JUSTIN TRUESDELL

SHT. 1 OF 1



**DIMENSIONS IN INCHES
 THIRD ANGLE PROJECTION**