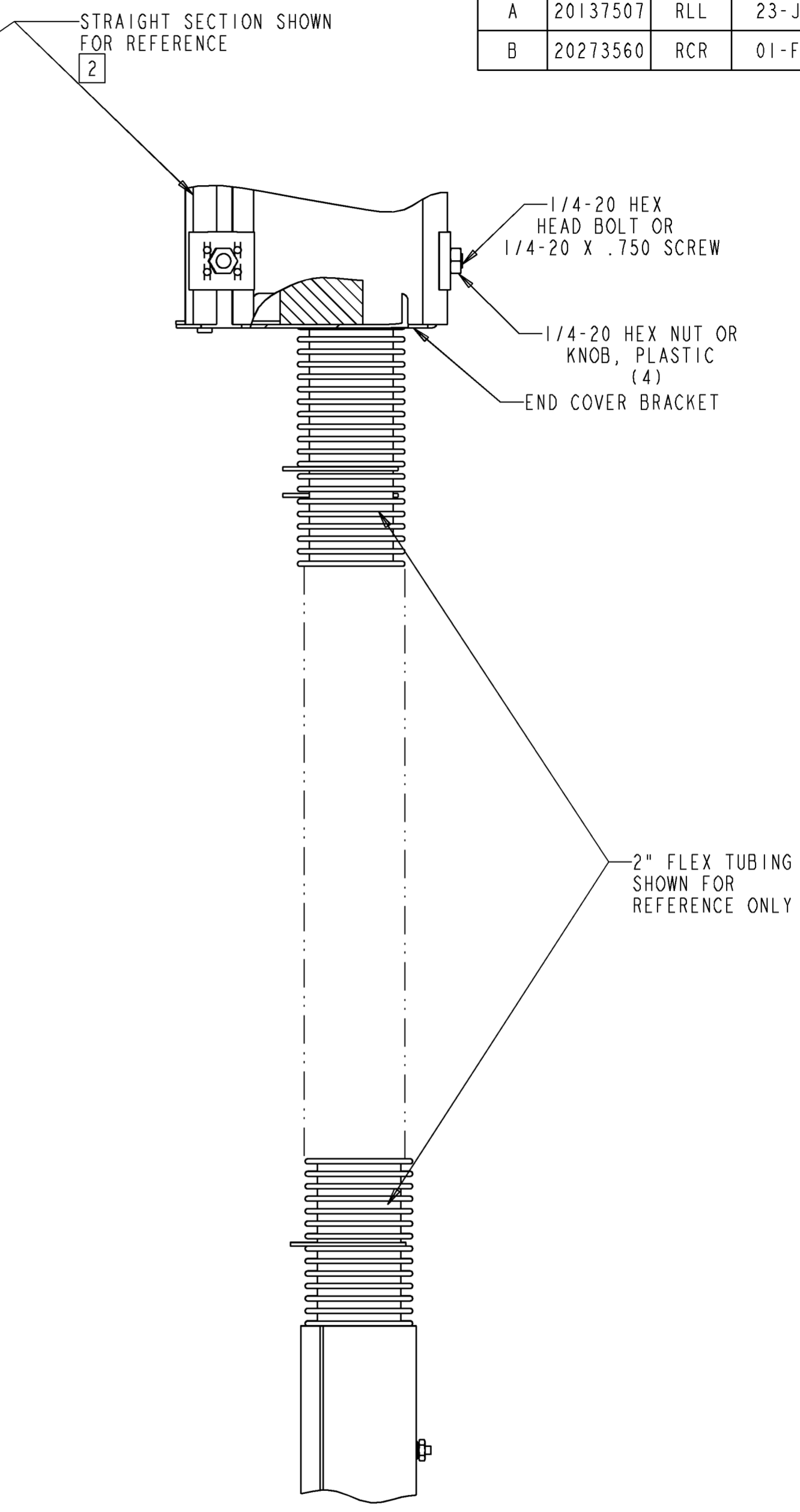
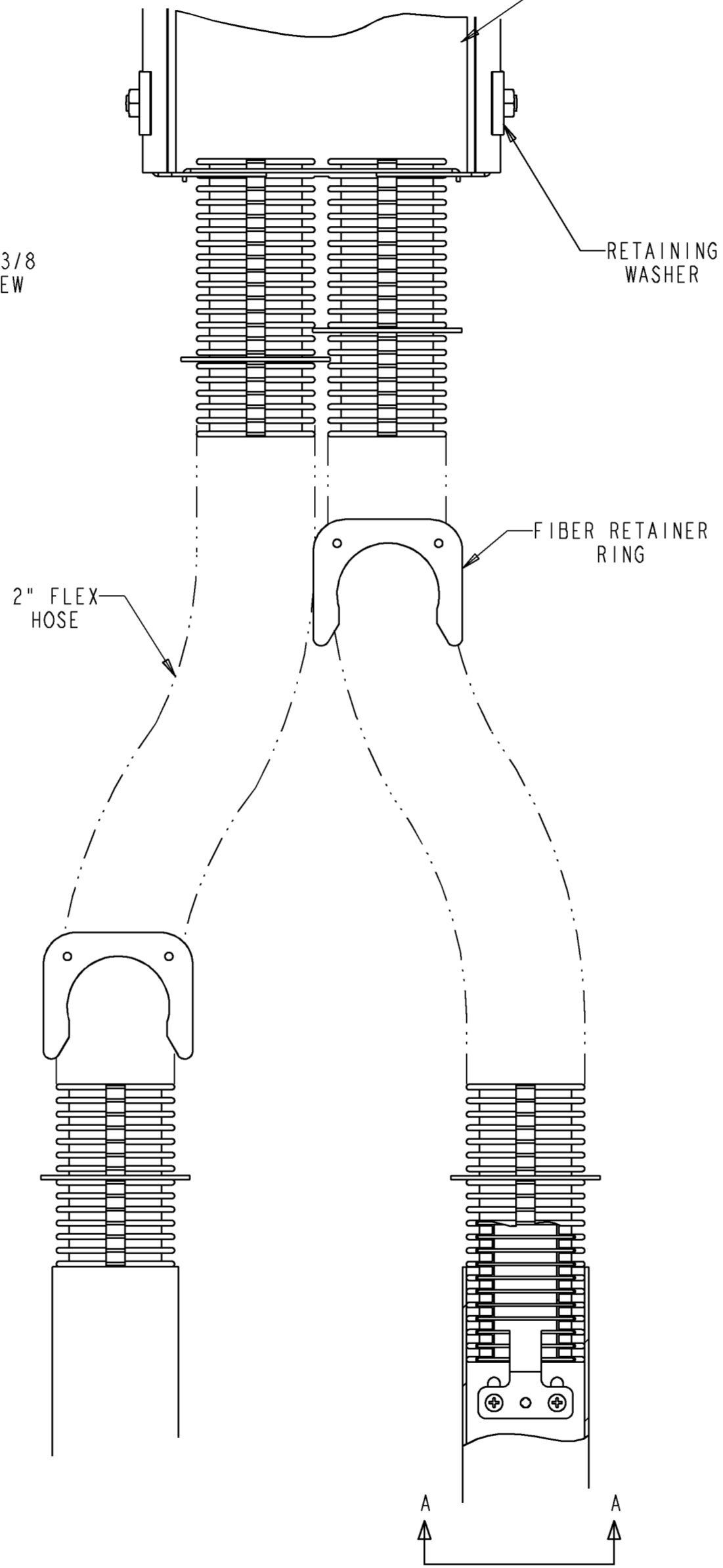
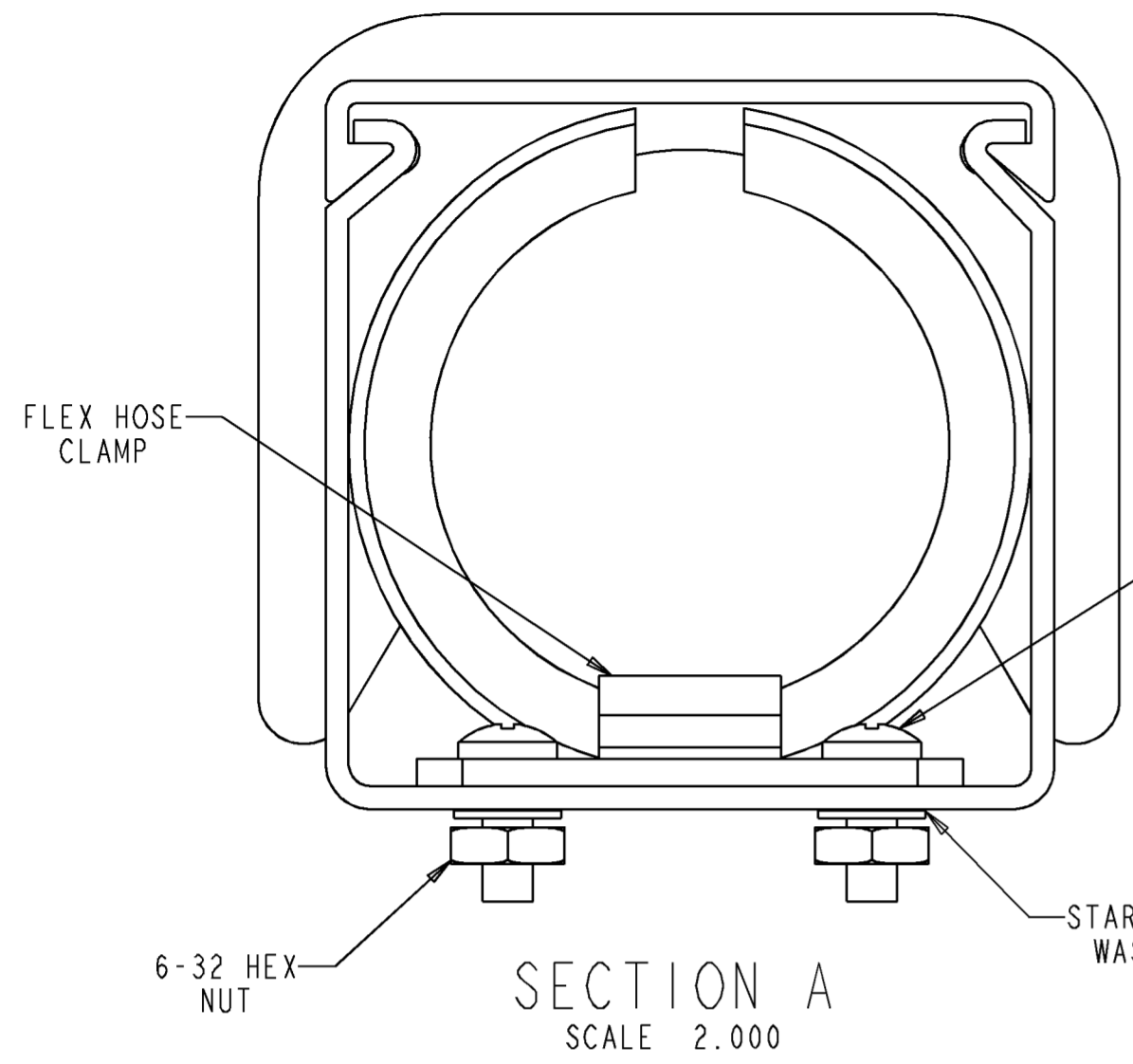


REV	MCO	DWN	DATE
A	20137507	RLL	23-JUL-03
B	20273560	RCR	01-FEB-10



- NOTES:
- ITEMS INCLUDED IN KIT ARE:
 - (1) 4" END COVER
 - (12) FIBER RETAINER RINGS
 - (4) FLEX HOSE CLAMPS
 - (4) RETAINING WASHERS
 - (4) 1/4-20 HEX HEAD BOLTS
 - (4) 1/4-20 X .750 SCREW
 - (4) 1/4-20 HEX NUTS
 - (4) KNOB, PLASTIC
 - (8) 6-32 X 3/8 PH SCREWS
 - (8) 6-32 HEX NUTS
 - (8) STAR LOCK WASHERS
 - (1) END COVER BRACKET

[2] KIT MAY BE USED ON STRAIGHT SECTIONS OR FITTINGS.

- ASSEMBLY INSTRUCTIONS:
- INSTALL (4) 1/4-20 HEX HEAD BOLTS OR 1/4-20 X .750 SCREW THROUGH HOLES IN TABS ON END COVER BRACKET.
 - SLIDE TABS OF END COVER BRACKET INTO T-CHANNELS OF STRAIGHT SECTION OR FITTING.
 - SECURE END COVER WITH SQUARE RETAINING WASHERS AND 1/4-20 HEX NUTS OR KNOB, PLASTIC.
- WHEN INSTALLATING 2" FLEX TUBING (NOT INCLUDED):
- INSTALL 2" FLEX TUBING AS NEEDED INTO END COVER STARTING AT THE INNERMOST POSITIONS.
 - SLIDE T-SHAPED END COVER BRACKET BETWEEN FLEX TUBES UNTIL TABS MATE WITH SLOTS IN END COVER.
 - INSTALL FLEX HOSE CLAMPS (IF NECESSARY).
 - AFTER ADDING FIBER, CLOSE FLEX TUBING BY INSTALLING FIBER RETAINER RINGS AS SHOWN.

CAT NO: FGS-KT03-A4-OF



INFORMATION ON THIS DOCUMENT IS PROPRIETARY TO ADC AND SHALL NOT BE USED, COPIED, REPRODUCED OR DISCLOSED IN WHOLE OR IN PART WITHOUT WRITTEN CONSENT OF ADC.		TITLE 4X4 FGS TO 4 HOSE ADAPTER	
ALL DIMS AND TOLERANCES ARE INCHES UNLESS OTHERWISE SPECIFIED	.XX:±N/A .XXX:±N/A ANGULAR:±N/A	C SIZE DRAWING NUMBER 1269760	B REV
DO NOT SCALE DRAWING		ENGR: RYAN LINDQUIST DWN: RYAN LINDQUIST	SHT. 1 OF 2

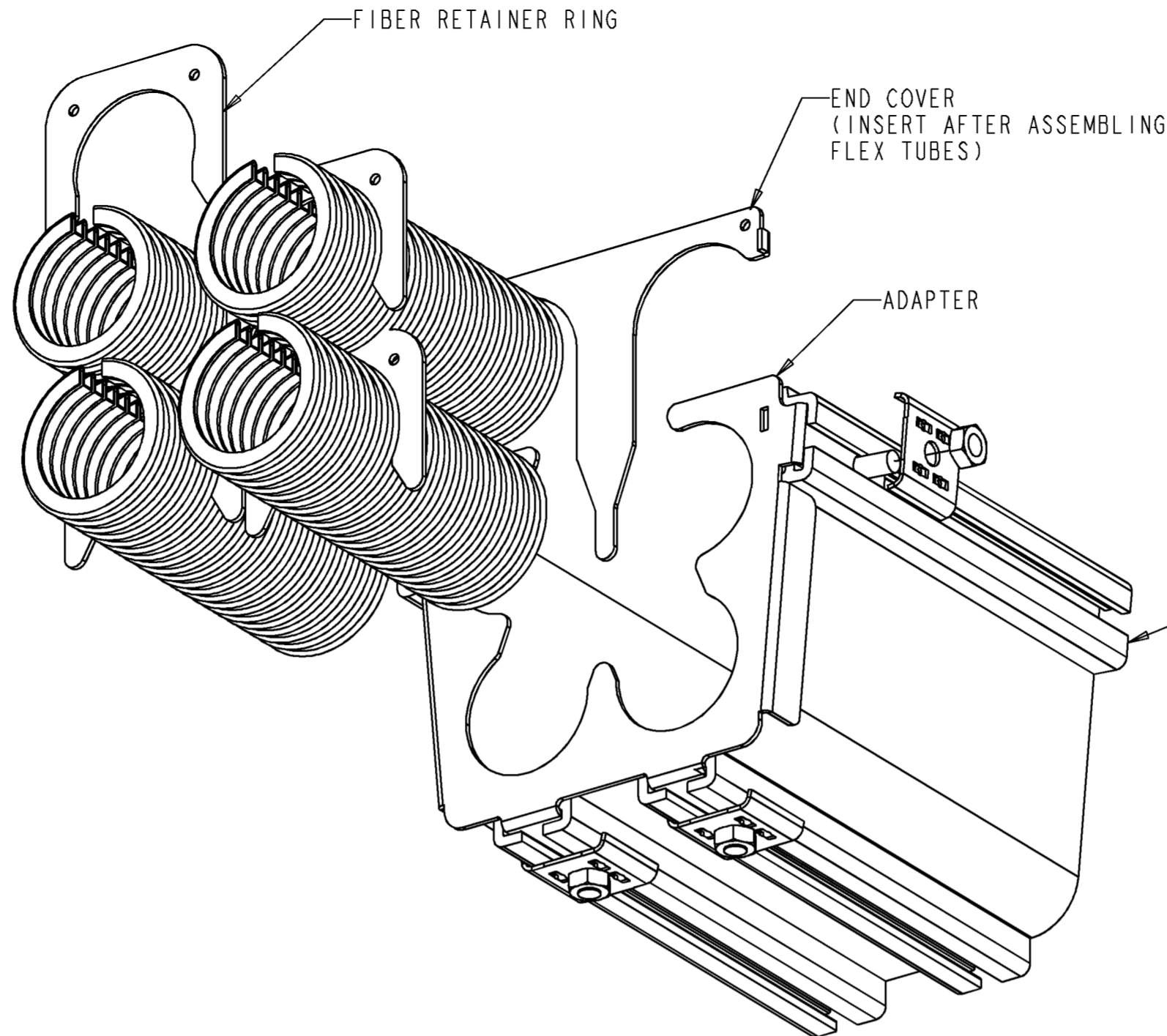
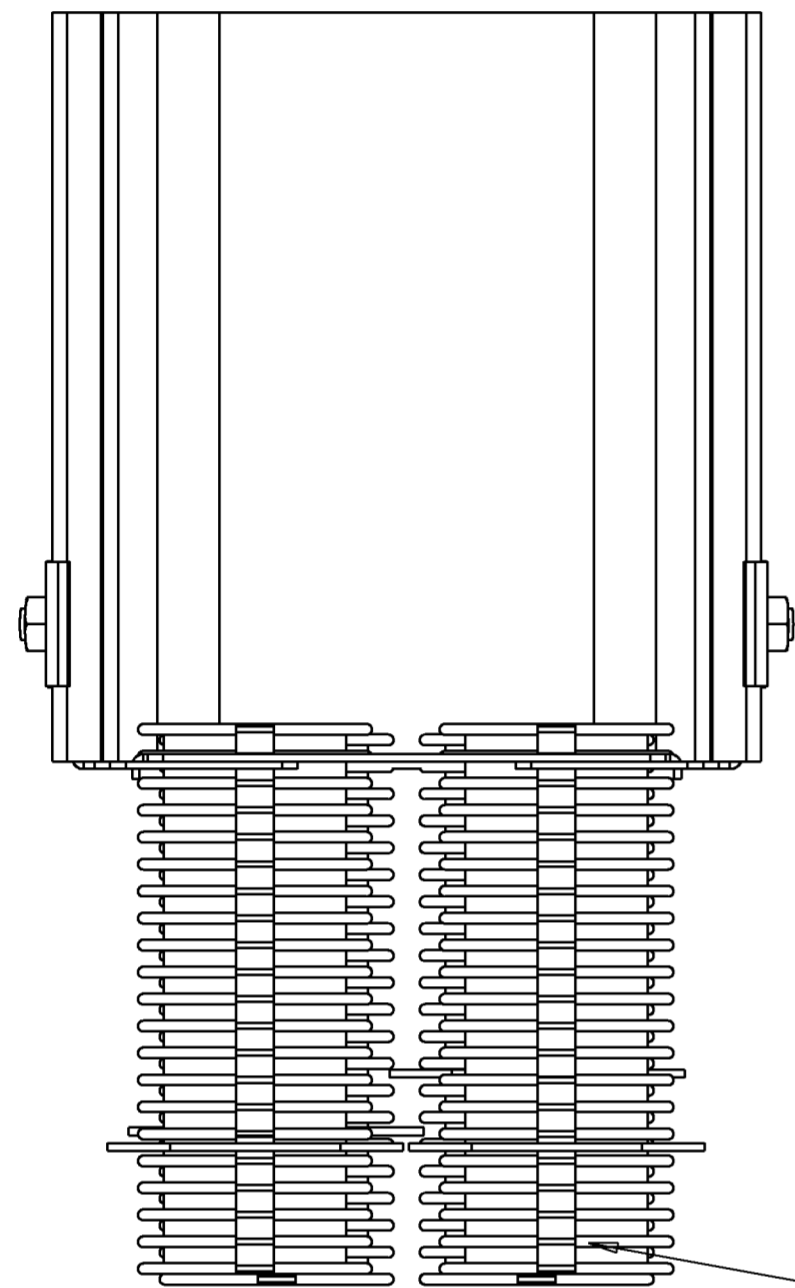
DIMENSIONS IN INCHES
THIRD ANGLE PROJECTION

A

B

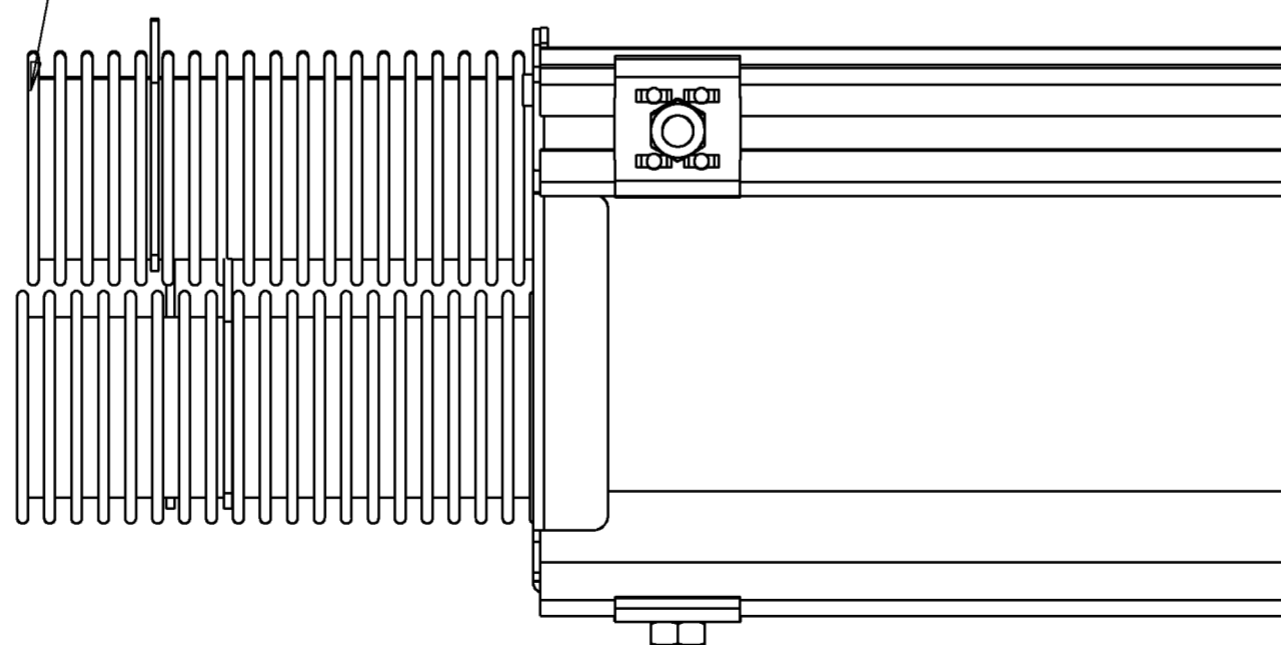
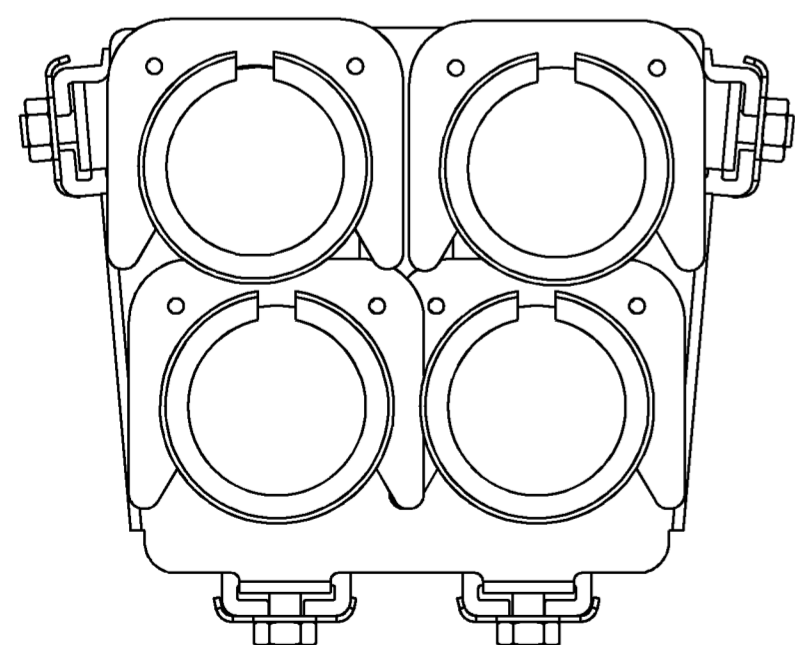
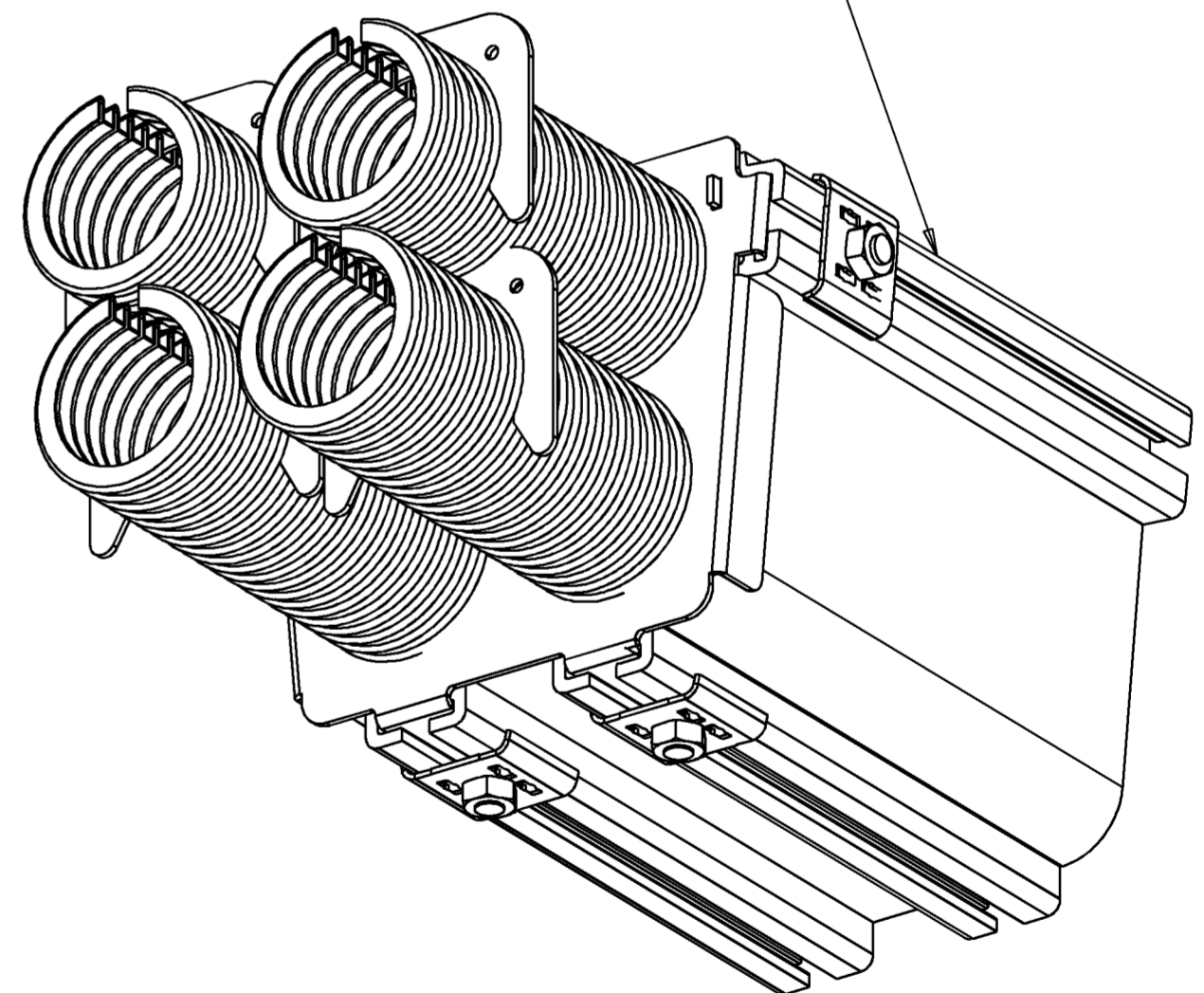
C

D



STRAIGHT SECTION SHOWN FOR REFERENCE.
2

2" FLEX TUBING SHOWN FOR REFERENCE ONLY



INFORMATION ON THIS DOCUMENT IS PROPRIETARY TO ADC AND SHALL NOT BE USED, COPIED, REPRODUCED OR DISCLOSED IN WHOLE OR IN PART WITHOUT WRITTEN CONSENT OF ADC.

TITLE 4X4 FGS TO 4 HOSE ADAPTER

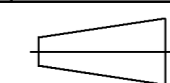
ALL DIMS AND TOLERANCES ARE INCHES UNLESS OTHERWISE SPECIFIED

DRAWING NUMBER 1269760

DO NOT SCALE DRAWING

ENGR: RYAN LINDQUIST
DWN: RYAN LINDQUIST

SHT. 2 OF 2



DIMENSIONS IN INCHES
THIRD ANGLE PROJECTION

A

B

C

1

2

3

4

1

2

3

4