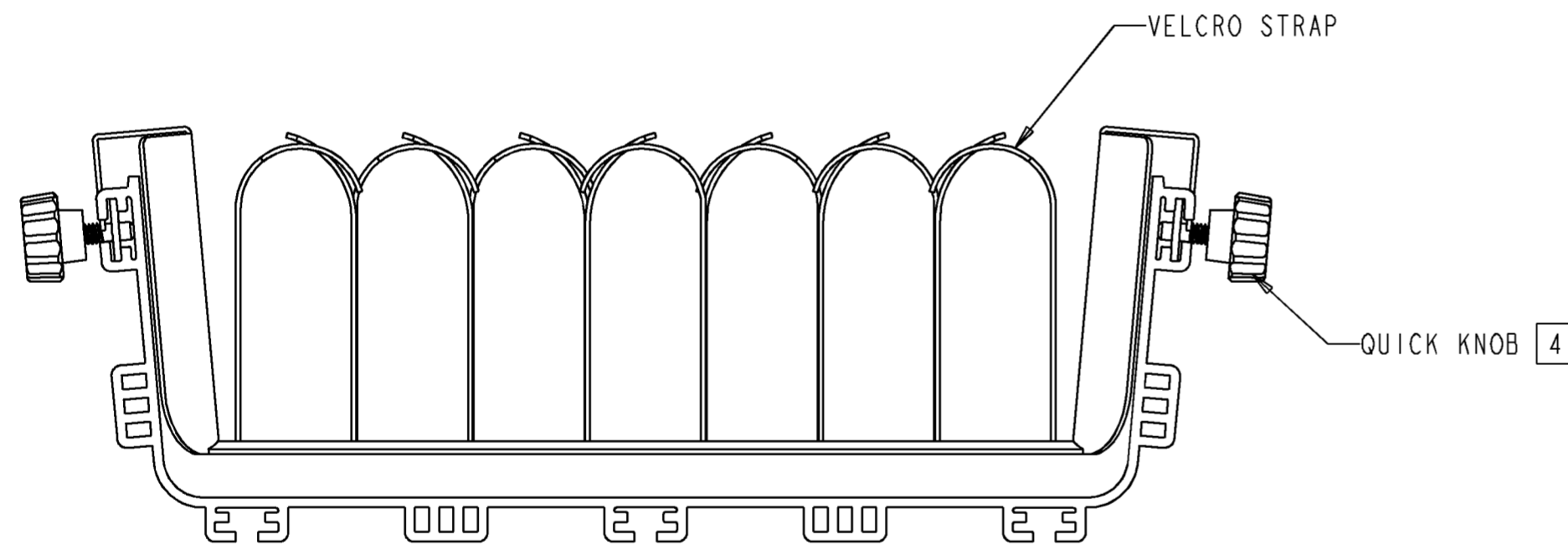
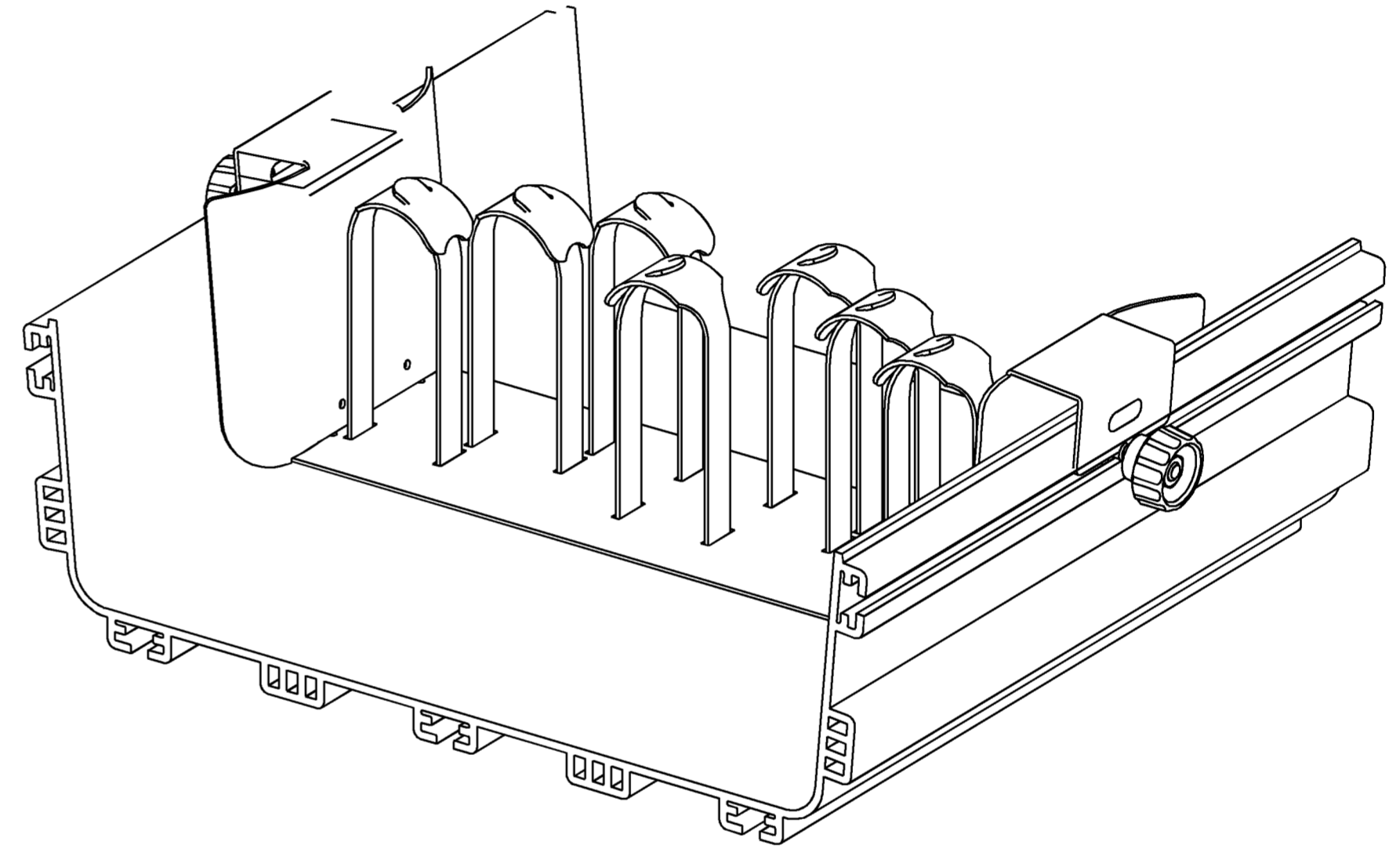
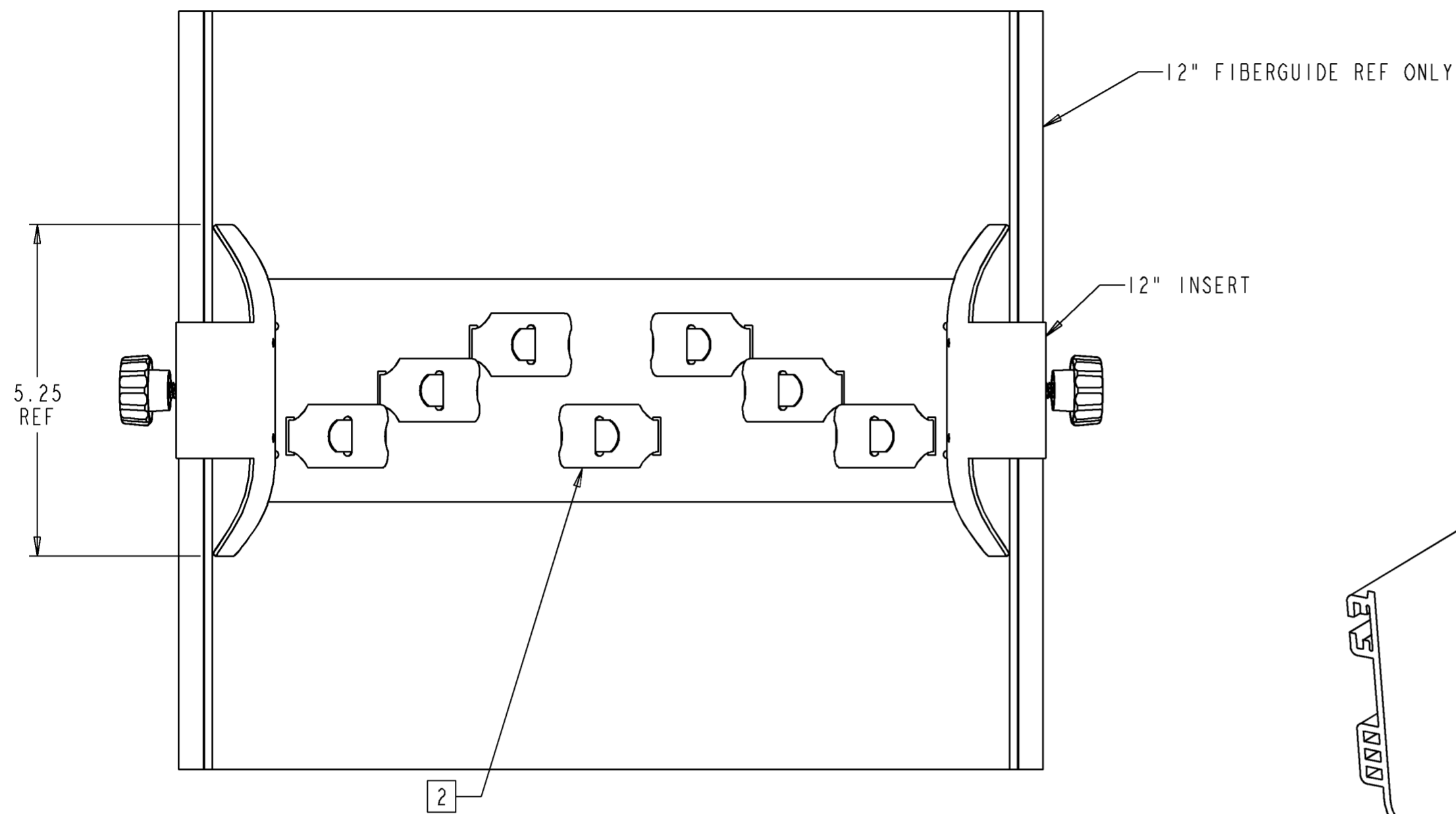


REV	MCO	DWN	DATE
B	20140509	RLL	24-OCT-03
C	20262659	RCR	13-APR-09



FGS-HISR-F
REF ONLY

NOTES:

1. ITEMS INCLUDED IN KIT ARE AS FOLLOWS:

- (1) FGS INSERT
- (SEE TABLE) VELCRO STRAPS
- (2) QUICK KNOBS

2 ROUTE VELCRO STRAPS THROUGH SLOTS IN INSERT AS SHOWN. (NOTE ORIENTATION OF STRAP).

3. LOCATE INSERT AT DESIRED LOCATION IN FGS STRAIGHT SECTION. ENSURING THAT INSERT IS ALIGNED ACROSS THE FIBERGUIDE STRAIGHT SECTION WIDTH (SEE TOP VIEW), PUSH BRACKET DOWN COMPLETELY.

4 INSERT QUICK KNOBS INTO SLOTS ON SIDE TABS OF INSERT. TIGHTEN QUICK KNOBS CLOCKWISE, SUCH THAT T-BOLT FLANGES EXTEND INTO T-CHANNEL.

FGS-HISR-H	24	15
FGS-HISR-F	12	7
FGS-HISR-B	6	3
FGS-HISR-A	4	2
CATALOG NUMBER	FGS SYSTEM	# VELCRO STRAPS



INFORMATION ON THIS DOCUMENT IS PROPRIETARY TO ADC AND SHALL NOT BE USED, COPIED, REPRODUCED OR DISCLOSED IN WHOLE OR IN PART WITHOUT WRITTEN CONSENT OF ADC.		TITLE KIT FGS STRAIN RELIEF INSERT	
ALL DIMS AND TOLERANCES ARE INCHES UNLESS OTHERWISE SPECIFIED	.XX:±.XX .XXX:±.XXX ANGULAR:±N/A	C SIZE	DRAWING NUMBER 1187894
DO NOT SCALE DRAWING		ENGR: D. DERKS DWN: D. DERKS	SHT. 1 OF 1

DIMENSIONS IN INCHES
THIRD ANGLE PROJECTION