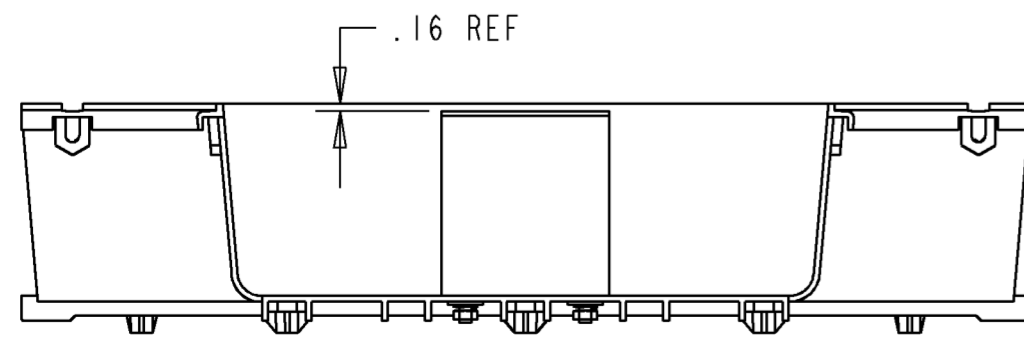
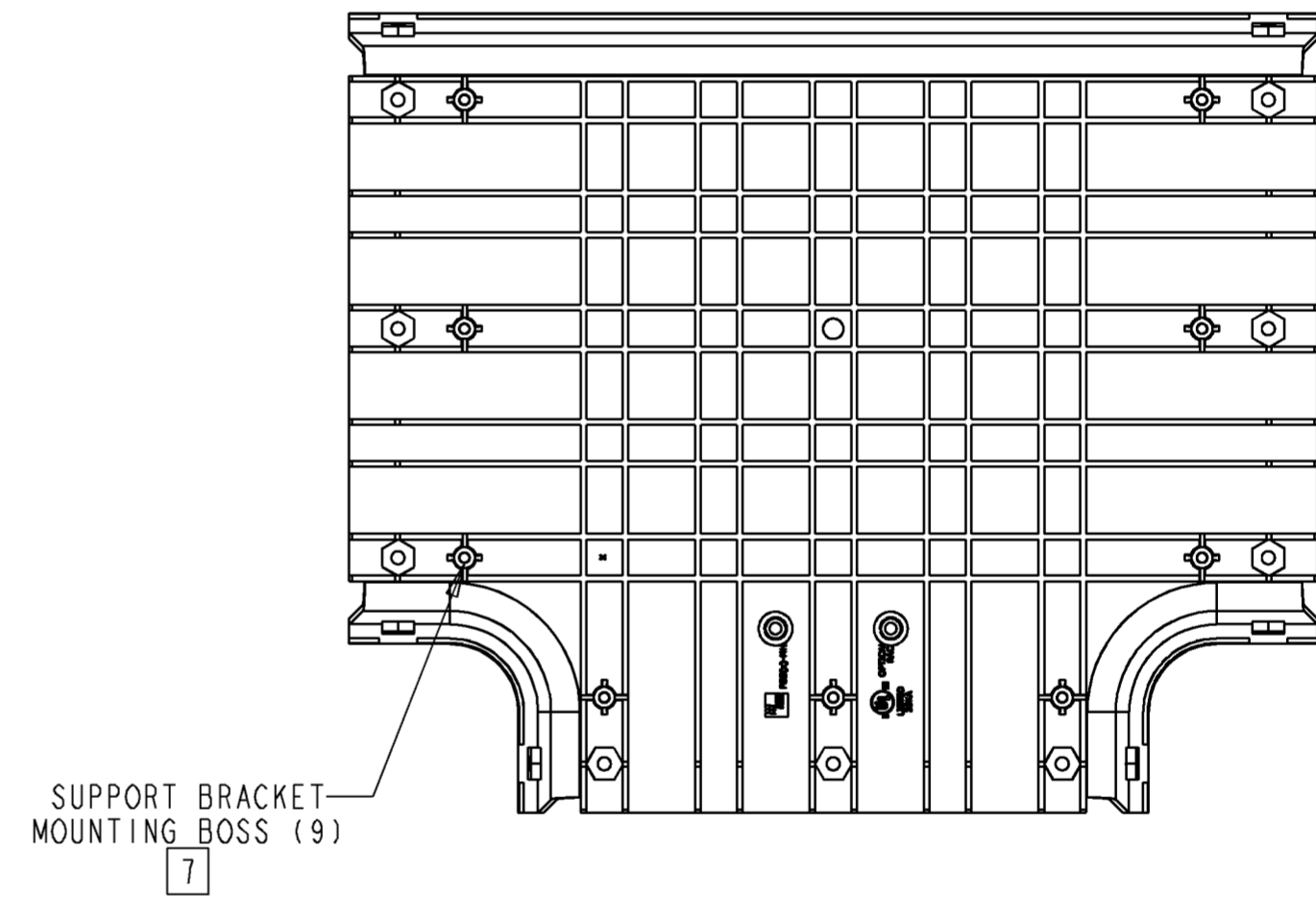
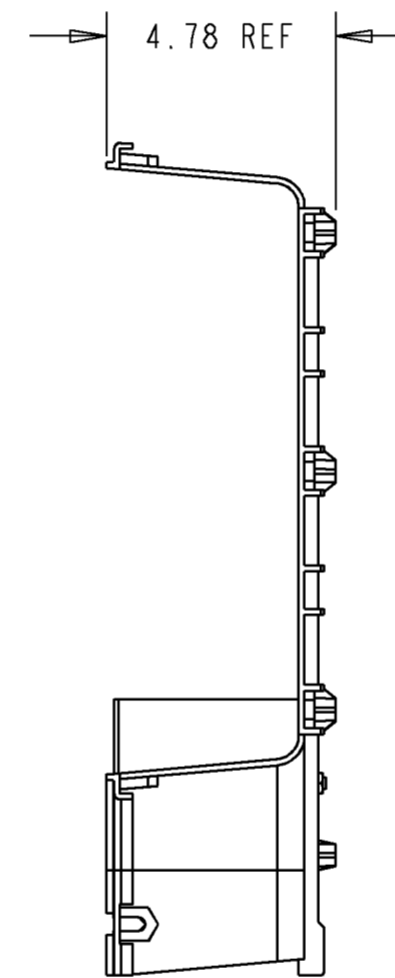
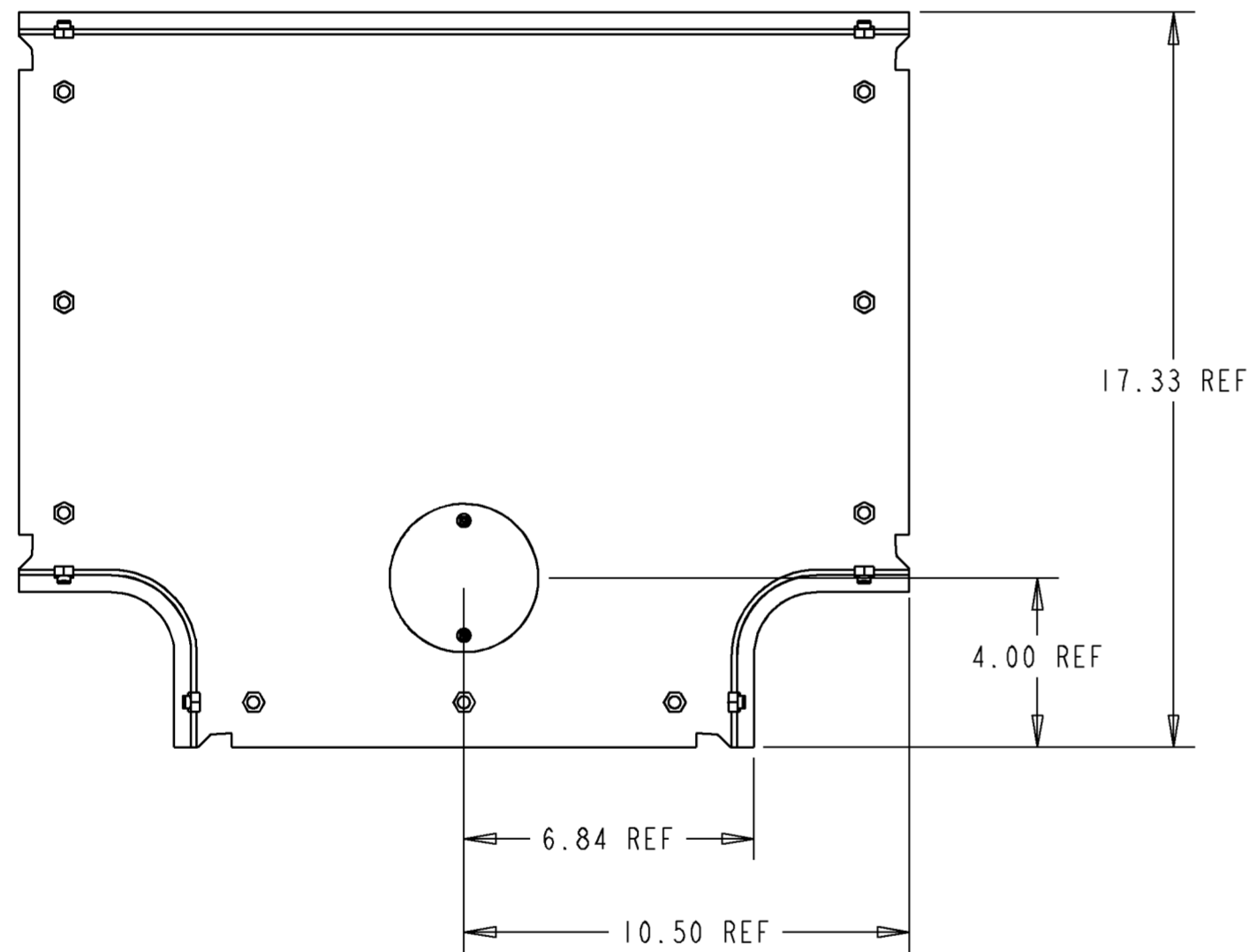
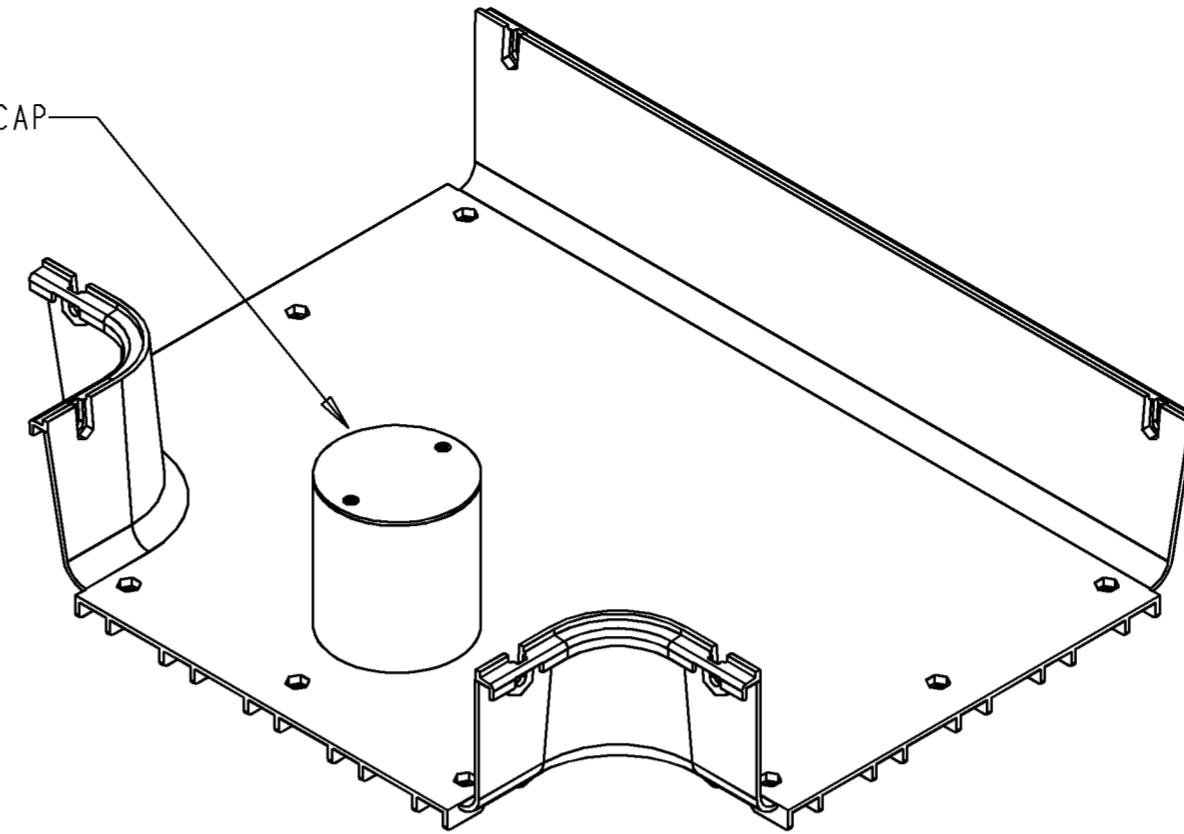


REV	MCO	DWN	DATE
B	20168695	GNM	25-APR-05
C	20265718	GCC	17-JUN-09

ISLAND WITH CAP



NOTES:

1. KIT INCLUDES THE FOLLOWING:
 - (1) 12" FGS TEE/ISLAND KIT ASSEMBLY, COMPRISED OF THE FOLLOWING:
 - (1) 12" TEE
 - (1) MOUNTED ISLAND
 - (1) ISLAND MOUNT BRACKET AND COVER



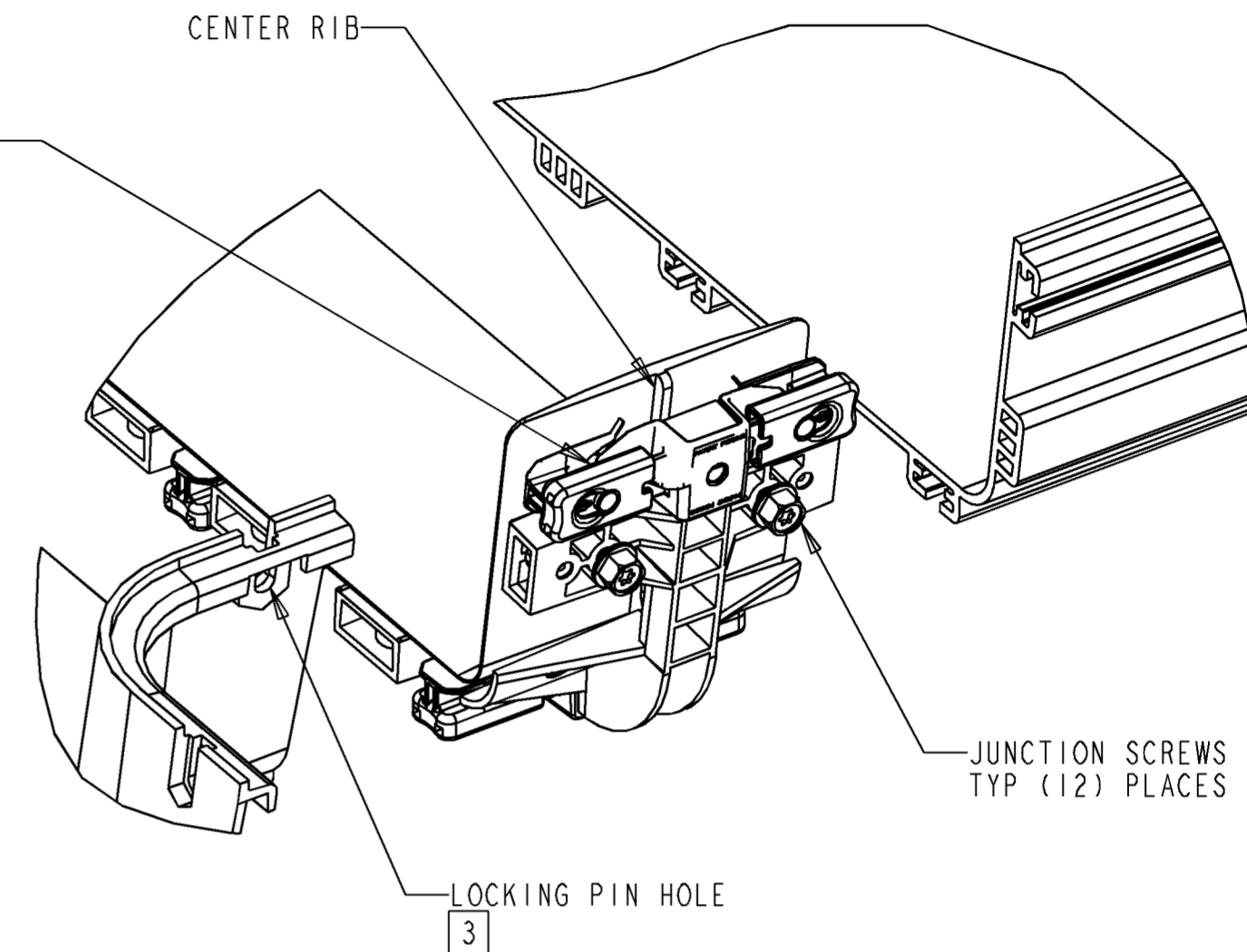
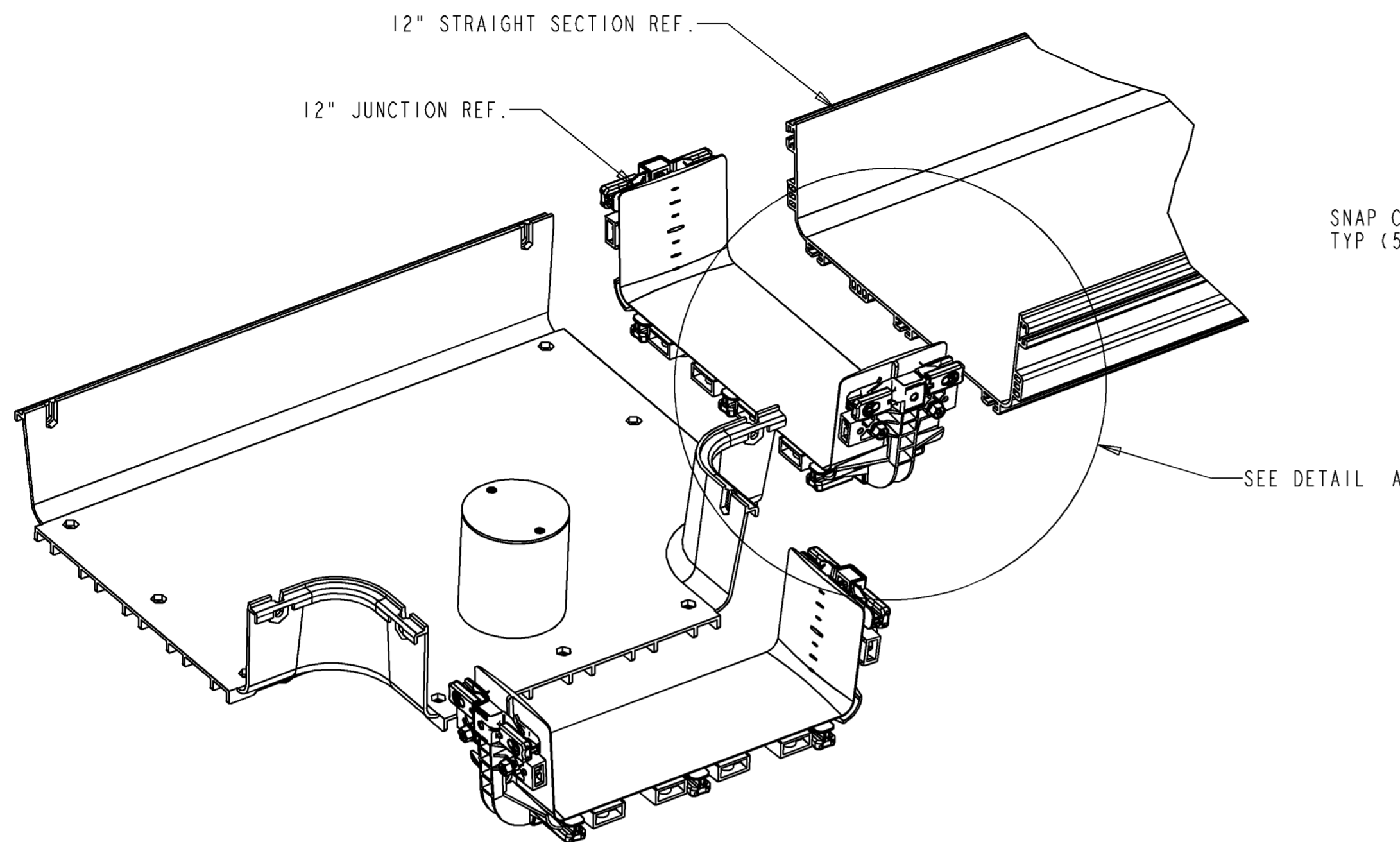
INFORMATION ON THIS DOCUMENT IS PROPRIETARY TO ADC AND SHALL NOT BE USED, COPIED, REPRODUCED OR DISCLOSED IN WHOLE OR IN PART WITHOUT WRITTEN CONSENT OF ADC.
 ALL DIMS AND TOLERANCES ARE INCHES UNLESS OTHERWISE SPECIFIED
 .XX:±N/A
 .XXX:±N/A
 ANGULAR:±N/A

TITLE ISLAND KIT, 12" FGS TEE INSTALLATION DWG

DO NOT SCALE DRAWING ENGR: KEVIN HRUBY DWN: CRAIG ZELASKO

DRAWING NUMBER 1182756 SHT. 1 OF 2

DIMENSIONS IN INCHES THIRD ANGLE PROJECTION



DETAIL A
SCALE 0.500

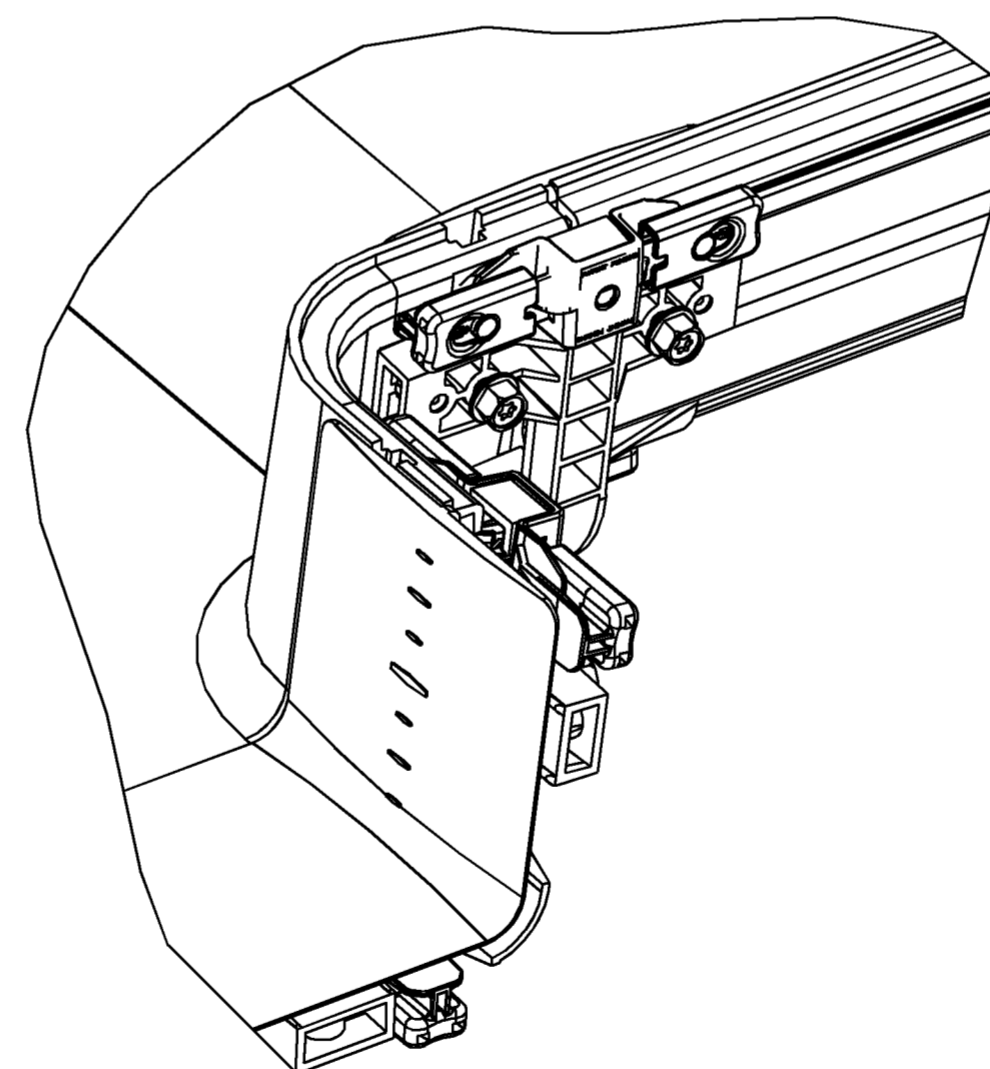


FIGURE 2
COMPLETED ASSEMBLY
SCALE 0.500

ASSEMBLY INSTRUCTIONS:

2. SLIDE ONE EXIT OF THE TEE KIT INTO JUNCTION UNTIL FIRMLY SEATED AGAINST THE CENTER RIB. (SEE FIGURE 2).
- 3 ENSURE LOCKING PINS ON SNAP CONNECTOR ARE ENGAGED IN HOLES) IN TEE. (SEE FIGURE 2).
4. SLIDE THE 12" FIBERGUIDE STRAIGHT SECTION INTO THE JUNCTION UNTIL FIRMLY SEATED AGAINST THE CENTER RIB.
5. TIGHTEN THE (12) JUNCTION SCREWS SUCH THAT THE WASHER HEAD ON THE SCREW IS APPROXIMATELY 1/16" (1.6MM) FROM THE JUNCTION SUPPORT ARM. (SEE DETAIL A). AFTER ALL SCREWS HAVE BEEN TIGHTENED IN THIS MANNER, TIGHTEN ALL SCREWS UNTIL THE WASHER HEAD BOTTOMS OUT.
6. REPEAT ABOVE NOTES FOR THE OTHER EXIT OF THE TEE.
- 7 MOUNT BRACKET TO SUPPORT BRACKET MOUNTING BOSSES) WITH BOSS SCREWS INCLUDED IN BRACKET KIT. (SEE SHEET 3 AND BRACKET KIT INSTALLATION DRAWING).



INFORMATION ON THIS DOCUMENT IS PROPRIETARY TO ADC AND SHALL NOT BE USED, COPIED, REPRODUCED OR DISCLOSED IN WHOLE OR IN PART WITHOUT WRITTEN CONSENT OF ADC.		TITLE ISLAND KIT, 12"FGS TEE INSTALLATION DWG	
ALL DIMS AND TOLERANCES ARE INCHES UNLESS OTHERWISE SPECIFIED	.XX:±N/A .XXX:±N/A ANGULAR:±N/A	C SIZE	DRAWING NUMBER 1182756
DO NOT SCALE DRAWING		ENGR: KEVIN HRUBY DWN: CRAIG ZELASKO	SHT. 2 OF 2

DIMENSIONS IN INCHES
THIRD ANGLE PROJECTION