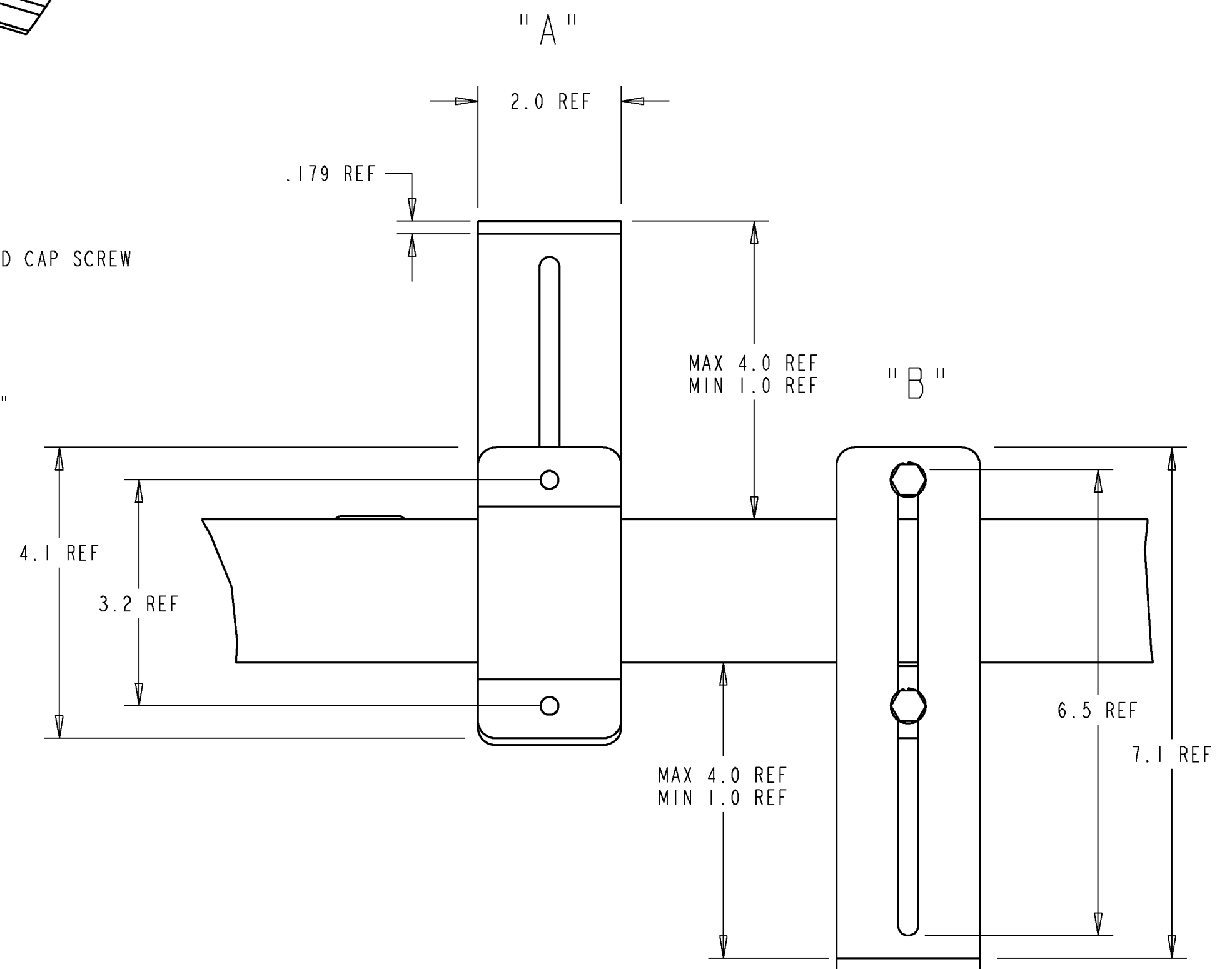
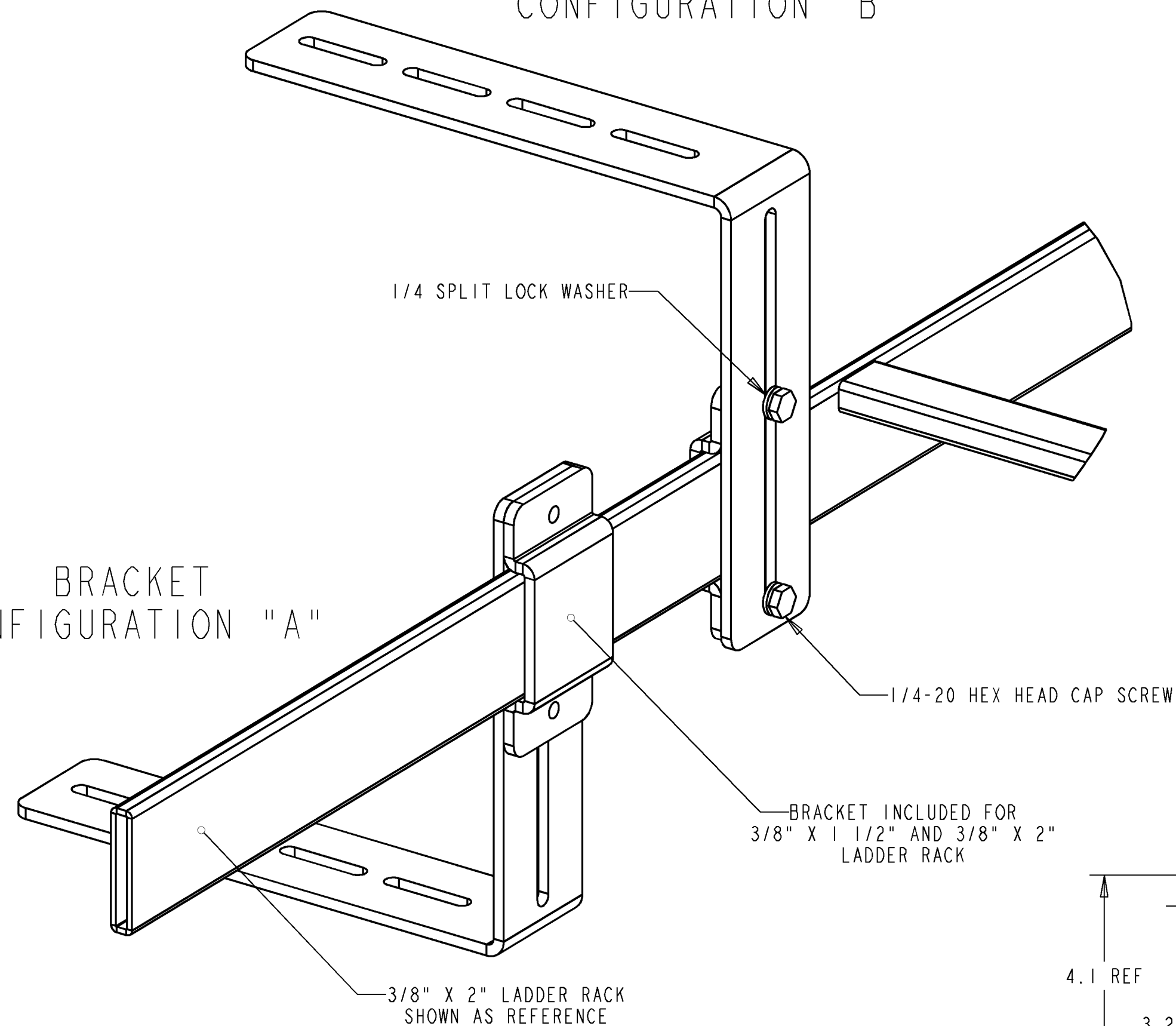


REV	ECO	DWN	DATE
A	20090198	CNW	14-MAY-01
-	-----	---	-----

### BRACKET CONFIGURATION "B"

### BRACKET CONFIGURATION "A"



**NOTES:**

**1. KIT INCLUDES THE FOLLOWING:**

- (1) "L" BRACKET
- (1) MOUNTING BRACKET FOR 3/8"x1.5" LADDER RACK
- (1) MOUNTING BRACKET FOR 3/8"x2.0" LADDER RACK
- (2) 1/4-20 HEX HEAD CAP SCREW
- (2) 1/4 SPLIT LOCK WASHER
- (2) QUICK KNOB ASSEMBLY

**BRACKET INSTALLATION:**

- 2. THE MOUNTING BRACKET WILL FIT ONLY THE LADDER RACK FOR WHICH IT IS DESIGNED: 3/8"x1.5" OR 3/8"x2.0". CHOOSE THE CORRECT BRACKET FOR THE LADDER RACK USED, AND DISCARD THE REMAINING MOUNTING BRACKET.
- 3. CHOOSE THE DESIRED BRACKET CONFIGURATION: "A" OR "B". (SEE ABOVE DRAWING.)
- 4. NOTE THE POSITION OF THE MOUNTING BRACKET PER CONFIGURATION:  
CONFIGURATION "A": MOUNTING BRACKET ON OUTSIDE OF LADDER RACK.  
CONFIGURATION "B": "L" BRACKET ON INSIDE OF LADDER RACK.
- 5. INSERT THE (2) 1/4-20 HEX HEAD CAP SCREWS THROUGH THE (2) 1/4 SPLIT LOCK WASHERS, THROUGH THE SLOT IN THE "L" BRACKET, AND INTO THE TAPPED HOLES IN THE MOUNTING BRACKET.
- 6. LOOSELY TIGHTEN THE (2) 1/4-20 HEX HEAD CAP SCREWS AND POSITION THE "L" BRACKET TO THE DESIRED HEIGHT. TIGHTEN THE SCREWS COMPLETELY.
- 7. FOR INSTALLATION OF FIBERGUIDE, REFERENCE INCLUDED DOCUMENT ADC P/N 1168819.

CATALOG #: FGS-HDLB-4



INFORMATION ON THIS DOCUMENT IS PROPRIETARY TO ADC AND SHALL NOT BE USED, COPIED, REPRODUCED OR DISCLOSED IN WHOLE OR IN PART WITHOUT WRITTEN CONSENT OF ADC.		TITLE KIT, 4"/6" FGS, LADDER RACK BRACKET MOUNTING	
TOLERANCE UNLESS OTHERWISE SPECIFIED: .XX: ±.02 XXX: ±.010 ANGULAR: ±2°	C SIZE	DRAWING NUMBER 1174940	A REV
THIRD ANGLE PROJECTION DO NOT SCALE DRAWING	ENGR: DEREK DERKS DWN: CRAIG ZELASKO		SHT. 1 OF 1