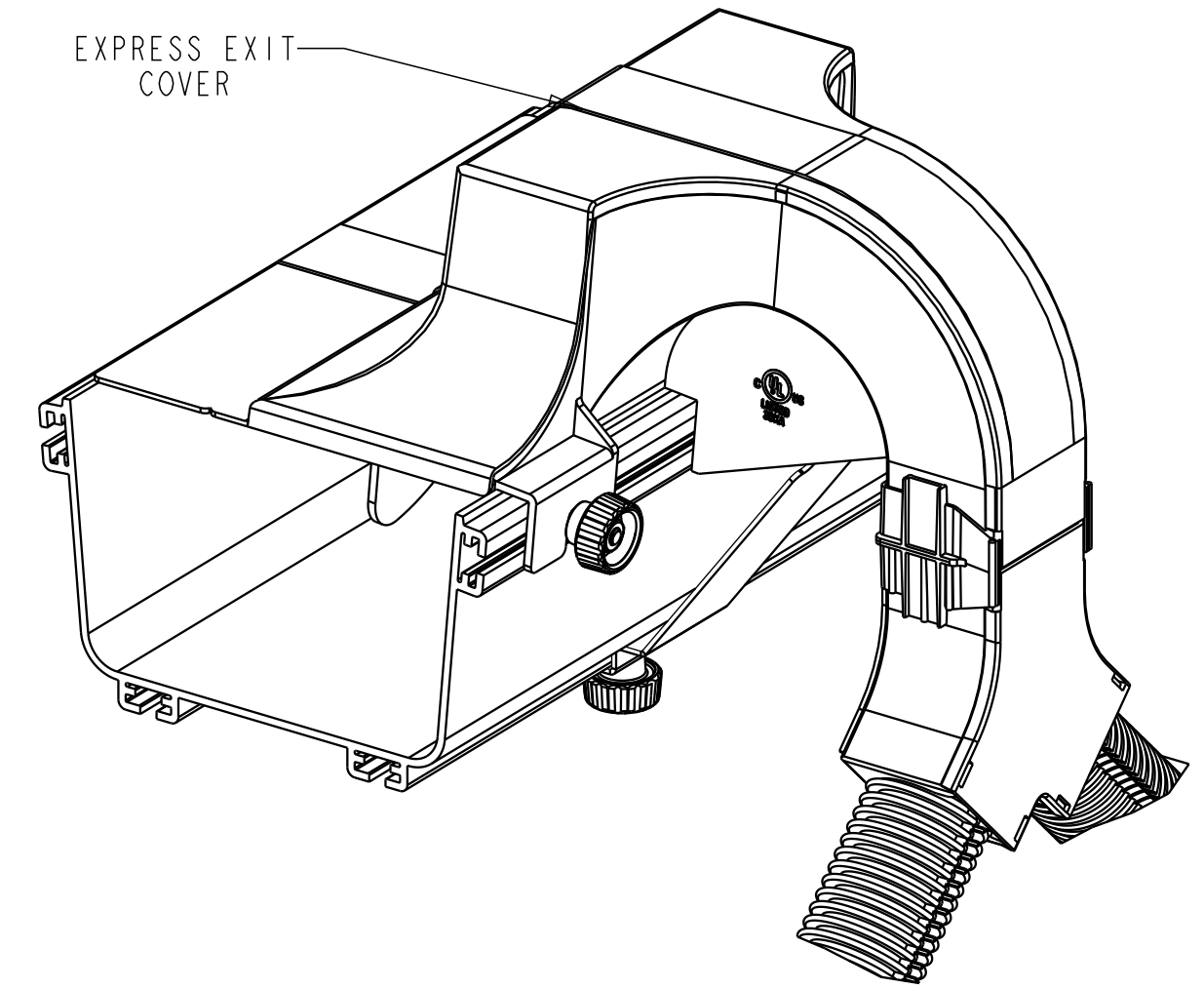
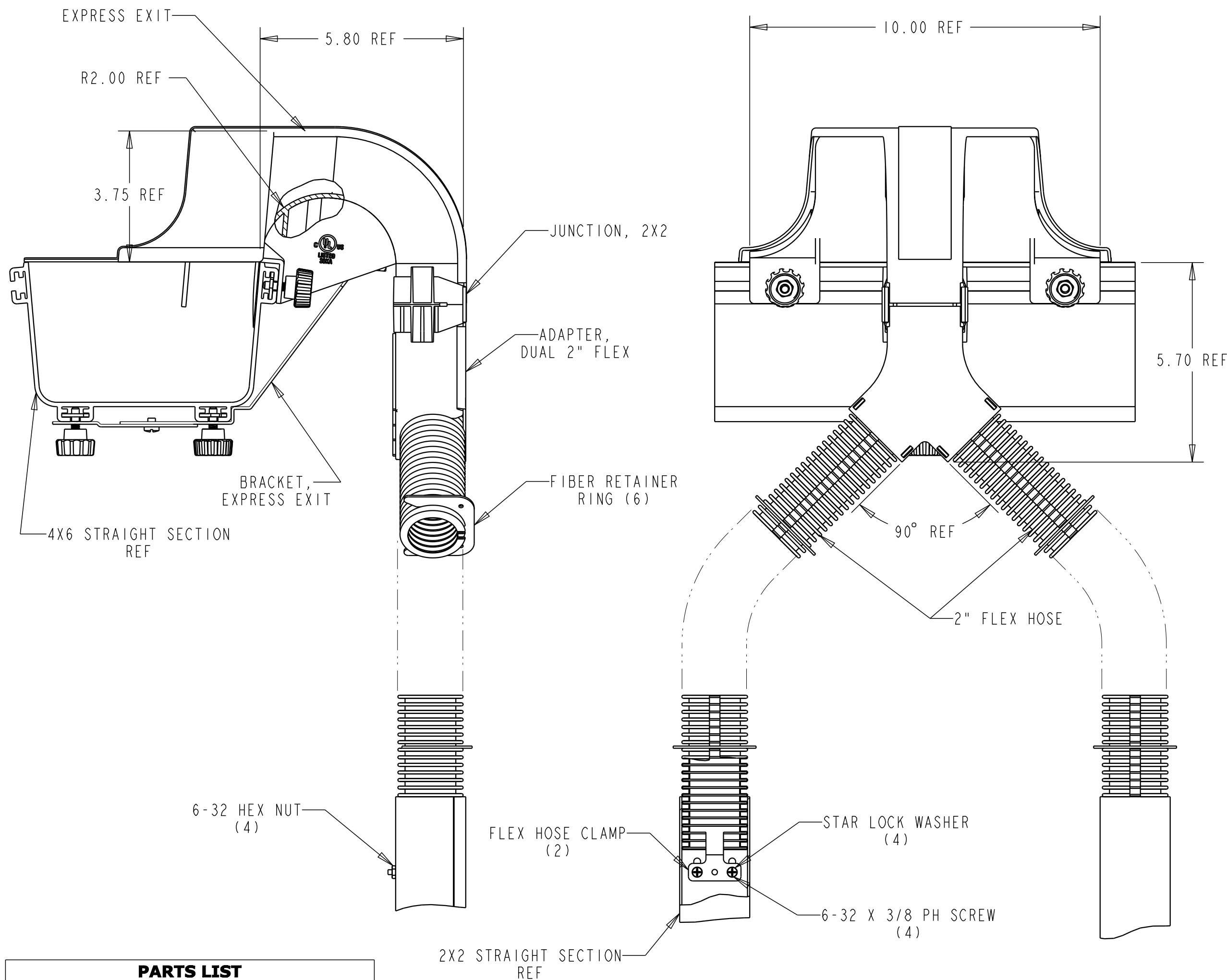


| REV | MCO | DWN | DATE |
|-----|-------------|------|-----------|
| B | 20316906 | EEG | 24-NOV-11 |
| C | 40031557MCO | OAVL | 20-JUN-16 |



| PARTS LIST | |
|--|---------|
| DESCRIPTION | QTY |
| EXPRESS EXIT | 1 |
| COVER, EXPRESS EXIT | 1 |
| BRACKET, EXPRESS EXIT | 1 |
| BRACKET, EXTENSION | 1 |
| ADAPTER, DUAL 2.0 FLEX | 1 |
| COVER, DUAL 2.0 FLEX | 1 |
| JUNCTION, 2X2 | 1 |
| 1 2" FLEX HOSE | SEE TAB |
| FIBER RETAINING RING | 6 |
| QUICK KNOB ASSEMBLY | 4 |
| CAP, PROTECTIVE, 1/4 | 4 |
| SCREW, HEX HEAD, 1/4-20 | 1 |
| SCREW, 6-32 X .25 | 2 |
| FLEX HOSE CLAMP | 2 |
| SCREW, PAN HEAD, 6-32 X 3/8 | 4 |
| HEX NUT, 6-32 | 4 |
| LOCK WASHER, STAR | 4 |

NOTES:

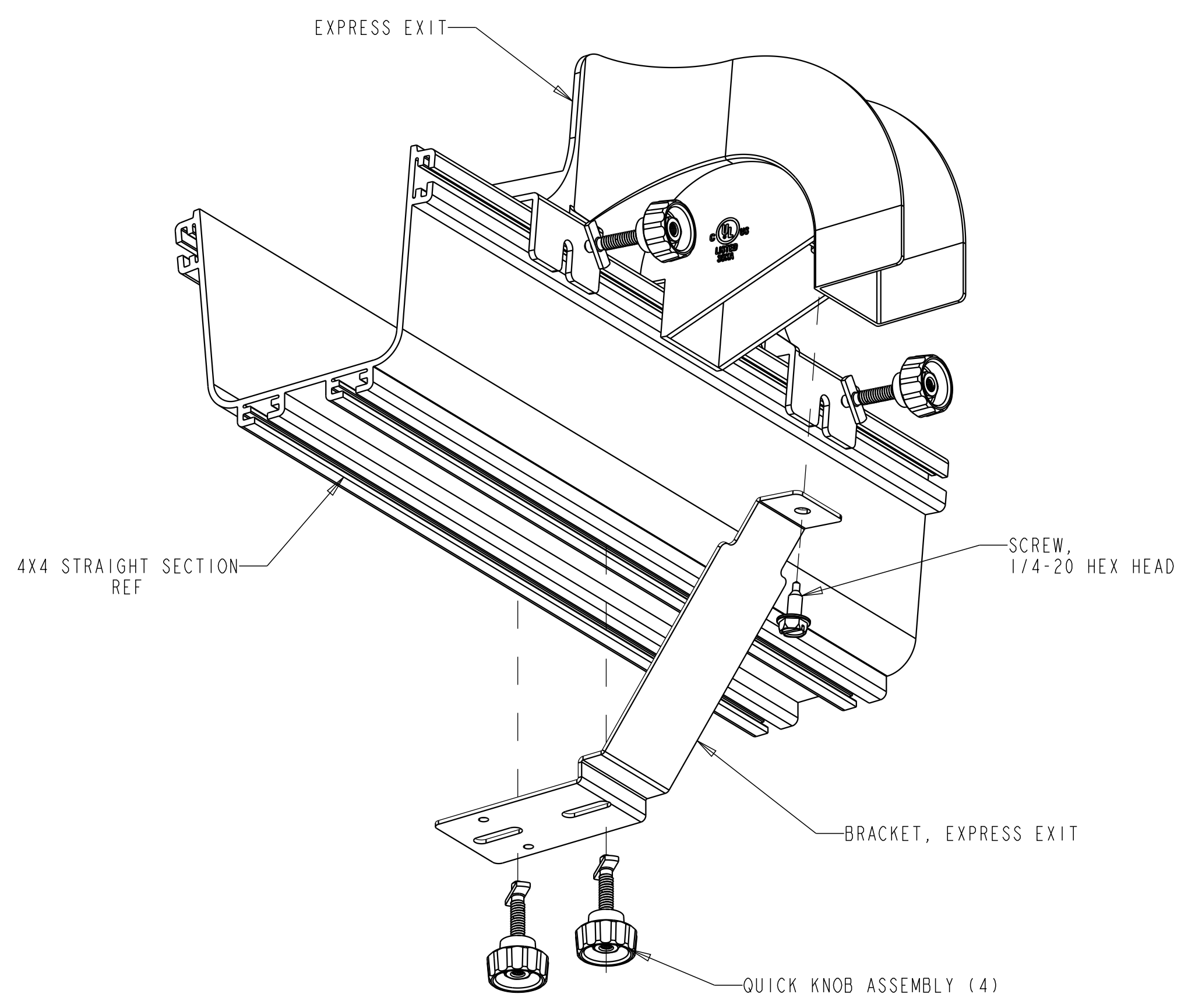
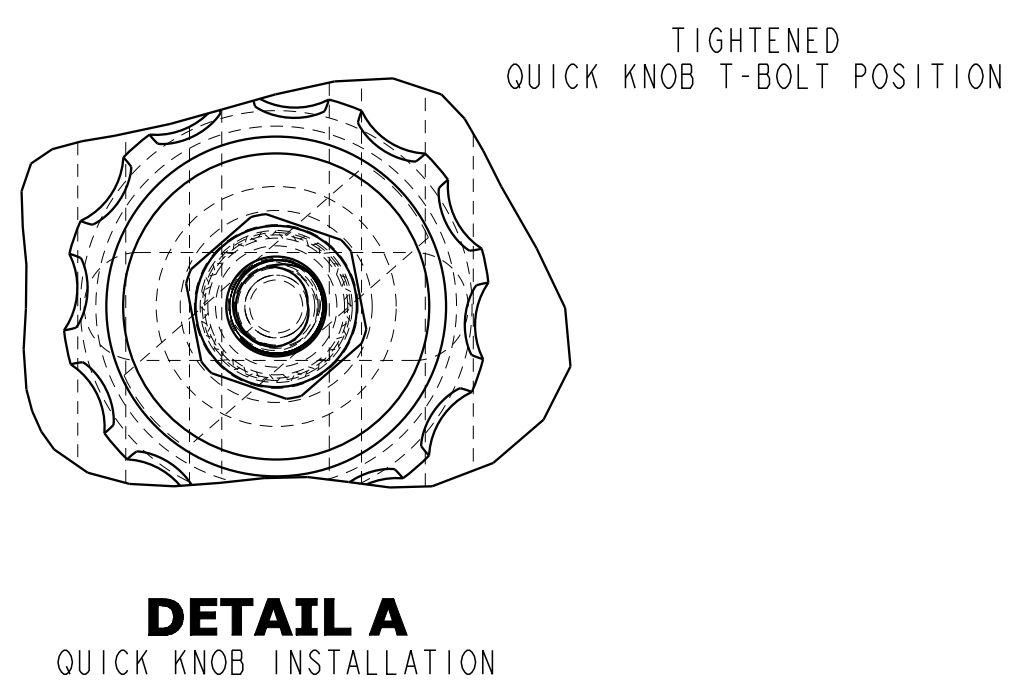
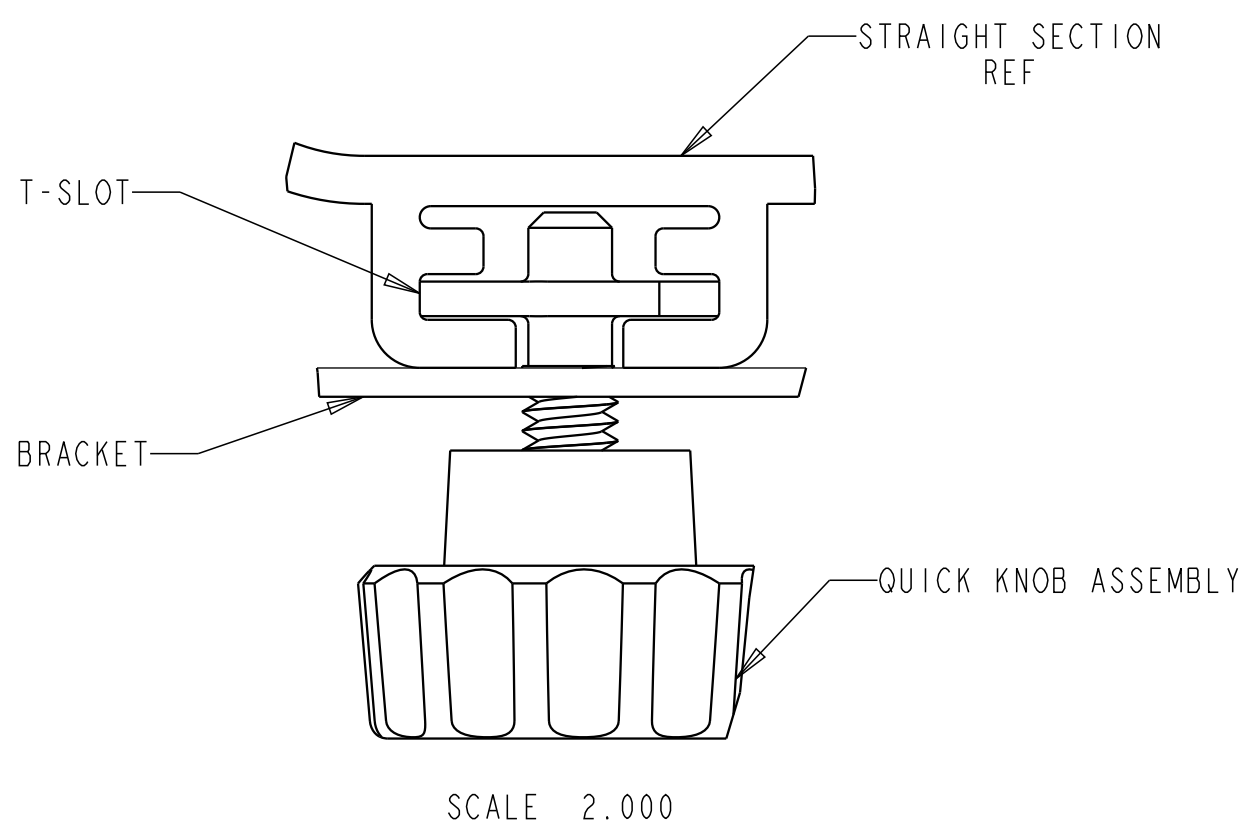
1 NOT INCLUDED ON KIT.

COMMSCOPE, INC.

| CATALOG NO. | COLOR | HOSE LENGTH |
|---|--------|-------------|
| 1 FGS-MKEX-2-0F | YELLOW | 0 FT |
| FGS-MKEX-2-5F | YELLOW | 5 FT |
| FGS-MKEX-2-10F | YELLOW | 10 FT |
| FGS-MKEX-2-15F | YELLOW | 15 FT |

| | | | |
|---|---------------------------------------|--|----------|
| © 2016 COMMSCOPE, INC. CONFIDENTIAL NOTICE: THESE DRAWINGS AND SPECIFICATIONS ARE THE PROPRIETARY PROPERTY OF COMMSCOPE, INC. AND MAY BE USED ONLY FOR THE SPECIFIC PURPOSE AUTHORIZED IN WRITING BY COMMSCOPE, INC. | | TITLE KIT, EXP/DUAL 2.0 INSTALLATION DWG | |
| ALL DIMS AND TOLERANCES ARE INCHES UNLESS OTHERWISE SPECIFIED | .XX:±N/A .XXX:±N/A ANGULAR:±N/A | C SIZE DRAWING NUMBER 1142132_ADC | C REV |
| DO NOT SCALE DRAWING | ENGR: T. HAATAJA DWN: T. HAATAJA | SHT. 1 OF 3 | |

DIMENSIONS -IN INCHES
THIRD ANGLE PROJECTION



INSTALLATION INSTRUCTIONS:

1. PLACE EXPRESS EXIT ON STRAIGHT SECTION AS SHOWN.
2. LIFT ONE END OF EXPRESS EXIT AND INSTALL QUICK KNOB INTO T-SLOT, LOWER EXPRESS EXIT ONTO STRAIGHT SECTION. REPEAT FOR OTHER SIDE. ROTATE QUICK KNOB CLOCKWISE SUCH THAT T-BOLT FLANGES EXTEND INTO T-SLOT. LOOSELY HAND TIGHTEN QUICK KNOB. SEE DETAIL A.
- *WARNING: IF EXPRESS EXIT IS REMOVED FROM STRAIGHT SECTION WHILE QUICK KNOBS ARE INSTALLED QUICK KNOBS WILL FALL OUT.
3. ATTACH EXTENSION BRACKET TO EXPRESS EXIT BRACKET USING 6-32 X .25 LONG SCREWS (4X6 AND 4X12 STRAIGHT SECTIONS ONLY, SEE SHEET 3).
3. INSTALL EXPRESS EXIT BRACKET ONTO EXPRESS EXIT USING 1/4-20 HEX HEAD SCREW.
4. INSERT QUICK KNOB THROUGH BRACKET, ROTATE 90°, AND INTO T-SLOT IN STRAIGHT SECTION. ROTATE QUICK KNOB CLOCKWISE SUCH THAT T-BOLT FLANGES EXTEND INTO T-SLOT. SEE DETAIL A.
5. TIGHTEN (4) QUICK KNOBS COMPLETELY.

**EXPRESS EXIT INSTALLATION
4X4 STRAIGHT SECTION**

COMMSCOPE, INC.

| | | | |
|---|--|---|------------------|
| <small>© 2016 COMMSCOPE, INC. CONFIDENTIAL NOTICE: THESE DRAWINGS AND SPECIFICATIONS ARE THE PROPRIETARY PROPERTY OF COMMSCOPE, INC. AND MAY BE USED ONLY FOR THE SPECIFIC PURPOSE AUTHORIZED IN WRITING BY COMMSCOPE, INC.</small> | | TITLE KIT, EXP/DUAL 2.0 INSTALLATION DWG | |
| <small>ALL DIMS AND TOLERANCES ARE INCHES UNLESS OTHERWISE SPECIFIED</small> | <small>.XX:±N/A .XXX:±N/A ANGULAR:±N/A</small> | C SIZE DRAWING NUMBER 1142132_ADC | C REV |
| DO NOT SCALE DRAWING | | ENGR: T. HAATAJA DWN: T. HAATAJA | SHT. 2 OF 3 |

**DIMENSIONS IN INCHES
THIRD ANGLE PROJECTION**

A

B

C

D

1

2

3

4

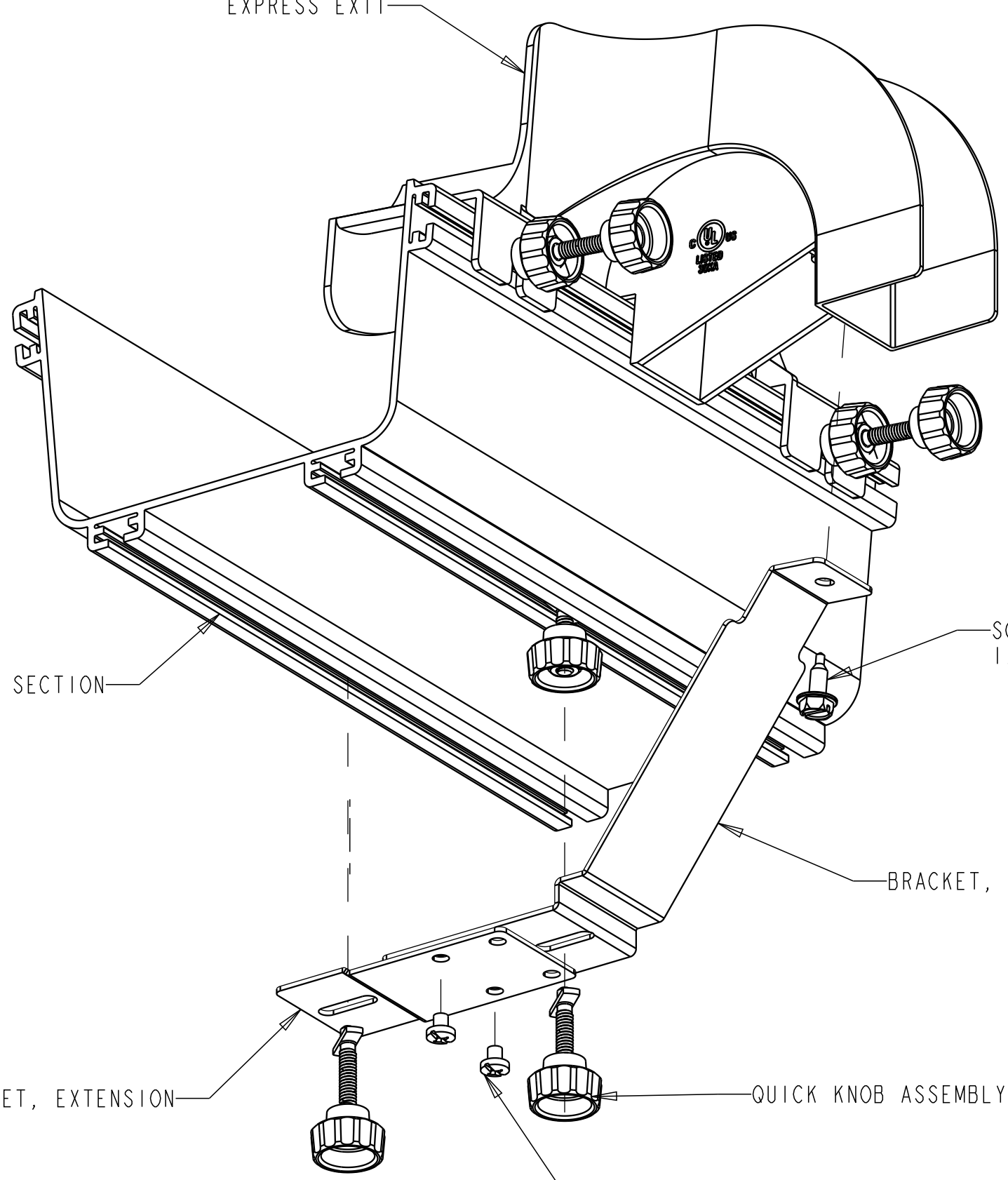
1

2

3

4

EXPRESS EXIT



4X6 STRAIGHT SECTION REF

SCREW, 1/4-20 HEX HEAD

BRACKET, EXPRESS EXIT

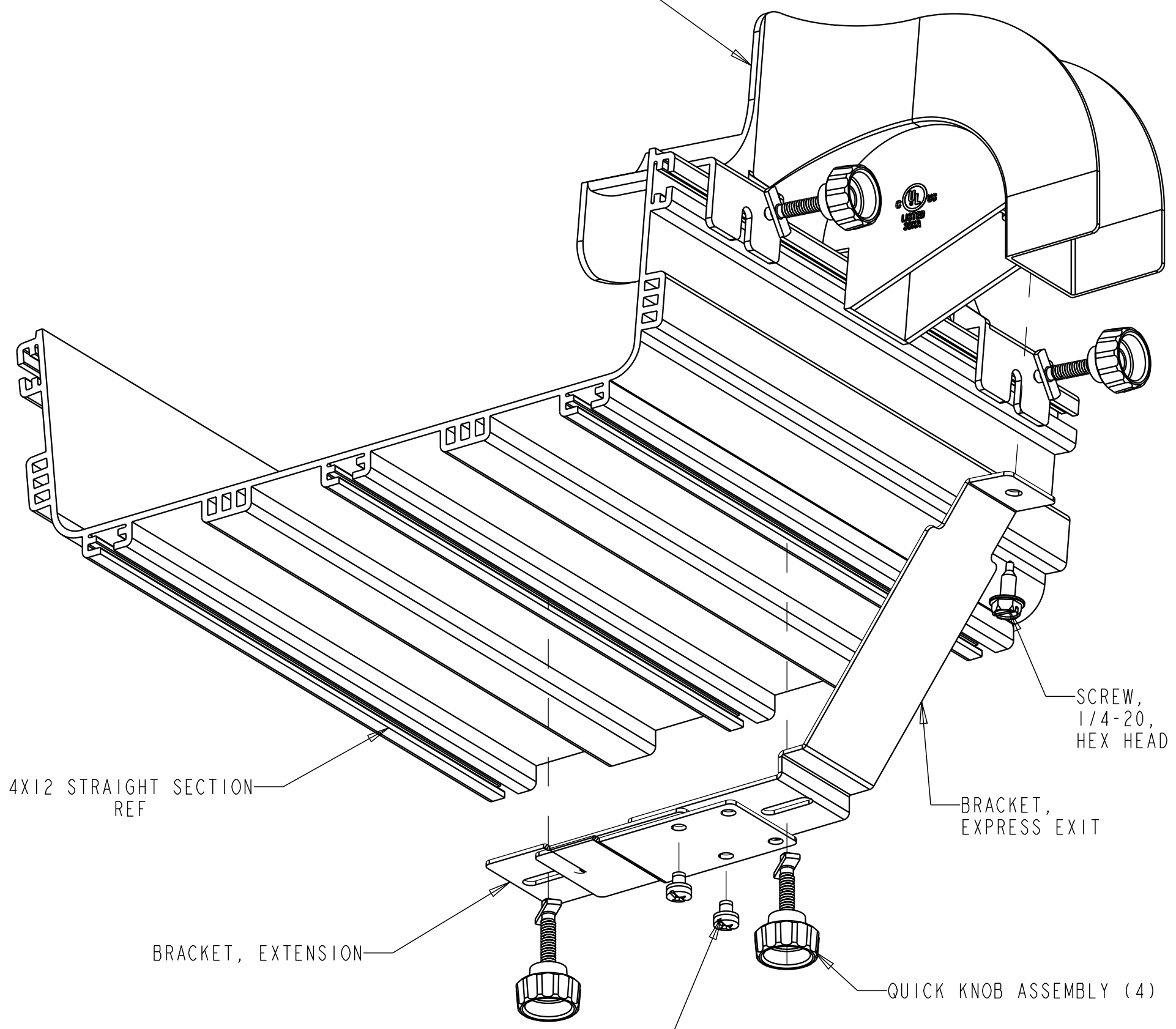
BRACKET, EXTENSION

QUICK KNOB ASSEMBLY (4)

SCREW, 6-32 X .25 (2)

EXPRESS EXIT INSTALLATION
4X6 STRAIGHT SECTION

EXPRESS EXIT



4X12 STRAIGHT SECTION REF

SCREW, 1/4-20, HEX HEAD

BRACKET, EXPRESS EXIT

BRACKET, EXTENSION

QUICK KNOB ASSEMBLY (4)

SCREW, 6-32 X .25 (2)

EXPRESS EXIT INSTALLATION
4X12 STRAIGHT SECTION

COMMSCOPE, INC.

© 2016 COMMSCOPE, INC. CONFIDENTIAL
NOTICE: THESE DRAWINGS AND SPECIFICATIONS
ARE THE PROPRIETARY PROPERTY OF
COMMSCOPE, INC. AND MAY BE USED ONLY FOR THE
SPECIFIC PURPOSE AUTHORIZED IN WRITING BY
COMMSCOPE, INC.

TITLE
KIT, EXP/DUAL 2.0
INSTALLATION DWG

ALL DIMS AND TOLERANCES .XX:±N/A
ARE INCHES UNLESS .XXX:±N/A
OTHERWISE SPECIFIED ANGULAR:±N/A

C SIZE DRAWING NUMBER
1142132_ADC C REV

DO NOT SCALE DRAWING

ENGR: T. HAATAJA
DWN: T. HAATAJA

SHT. 3 OF 3

A

B

C



DIMENSIONS IN INCHES
THIRD ANGLE PROJECTION