

| REV | MCO | DWN | DATE |
|-----|----------|-----|-----------|
| B | 20052670 | CNC | 09-MAY-00 |
| C | 20293873 | EEG | 23-SEP-10 |

| PARTS LIST | |
|-------------------------|-----|
| PART | QTY |
| INSERTABLE DOWNSPOUT | 1 |
| CONNECTING BARS | 10 |
| 1/4-20 SCREWS | 10 |
| 1/4-20 NUTS | 20 |
| 1/4 WASHERS | 10 |
| SQUARE RETAINING WASHER | 10 |
| LABELS | 2 |

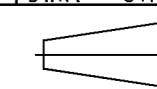
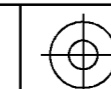
ASSEMBLY INSTRUCTIONS:

- 1) CUT A 16.0 ±0.1 INCH SECTION OUT OF THE FIBERGUIDE SPAN WHERE THE DOWNSPOUT WILL BE INSERTED AS SHOWN IN FIGURE 1.
- 2) INSERT (10) 1/4-20 SCREWS INTO THE (10) CONNECTING BARS. SLIDE THE (10) CONNECTING BARS INTO THE SLOTS ON THE SIDE OF THE FIBERGUIDE SPAN. THE "FORKED" END OF THE BARS SHOULD FACE THE OPENING AS SHOWN IN FIGURE 1.
- 3) INSERT THE DOWNSPOUT INTO THE CUTOUT SECTION AS SHOWN IN FIGURE 1.
- 4) SLIDE THE CONNECTING BARS AROUND THE SCREWS PRE-ASSEMBLED INTO THE DOWNSPOUT. FASTEN WITH (10) WASHERS AND (10) 1/4-20 NUTS AS SHOWN IN FIGURE 2.
- 5) ATTACH (10) SQUARE RETAINING WASHERS AND (10) NUTS ONTO THE SCREWS IN THE FIBERGUIDE SPAN AS SHOWN IN FIGURE 2.

| | | |
|----------------------|--------|------|
| FGSB-MDSP-F/I | BLACK | 12" |
| FGSO-MDSP-F/I | ORANGE | 12" |
| FGS-MDSP-F/I | YELLOW | 12" |
| ADC CATALOG NUMBER | COLOR | SIZE |



| | | | |
|---|---------------------------------------|--|---------------------------|
| INFORMATION ON THIS DOCUMENT IS PROPRIETARY TO ADC AND SHALL NOT BE USED, COPIED, REPRODUCED OR DISCLOSED IN WHOLE OR IN PART WITHOUT WRITTEN CONSENT OF ADC. | | TITLE INSERTABLE DOWNSPOUT (INSTL DWG) | |
| ALL DIMS AND TOLERANCES ARE INCHES UNLESS OTHERWISE SPECIFIED | .XX:±N/A .XXX:±N/A ANGULAR:±N/A | C SIZE | DRAWING NUMBER 1066576 |
| ENGR: KEVIN HRUBY DWN: CRAIG ZELASKO | | C REV | |
| DO NOT SCALE DRAWING | | SHT. 1 OF 2 | |



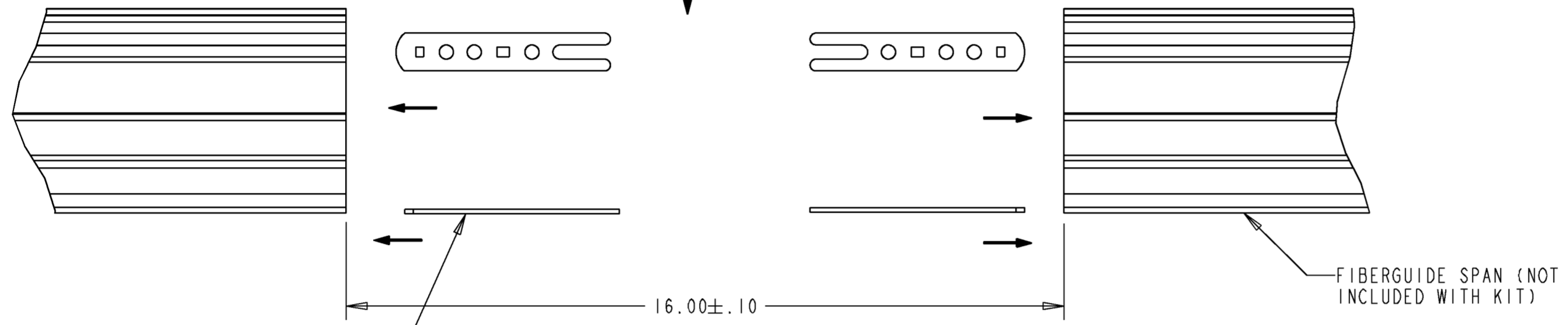
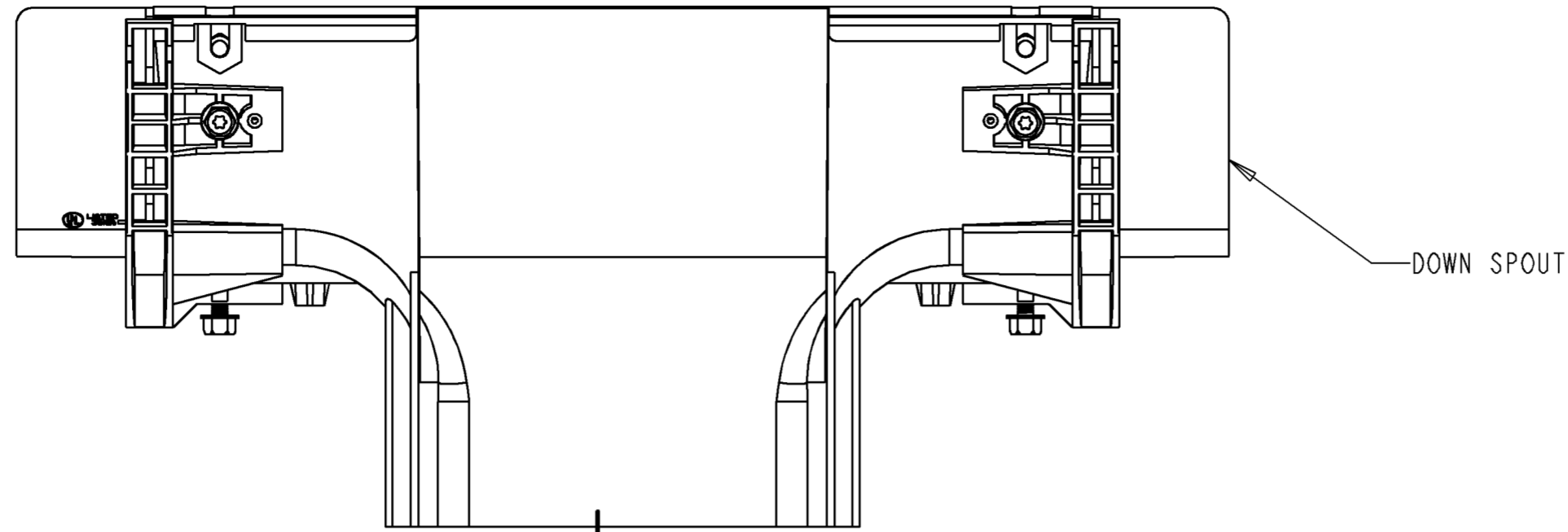
**DIMENSIONS IN INCHES
THIRD ANGLE PROJECTION**

A

B

C

D



CONNECTING BAR WITH
1/4-20 SCREWS INSERTED
FACING OUTWARD (10)

FIGURE 1
SCALE 0.400

FIBERGUIDE SPAN (NOT
INCLUDED WITH KIT)

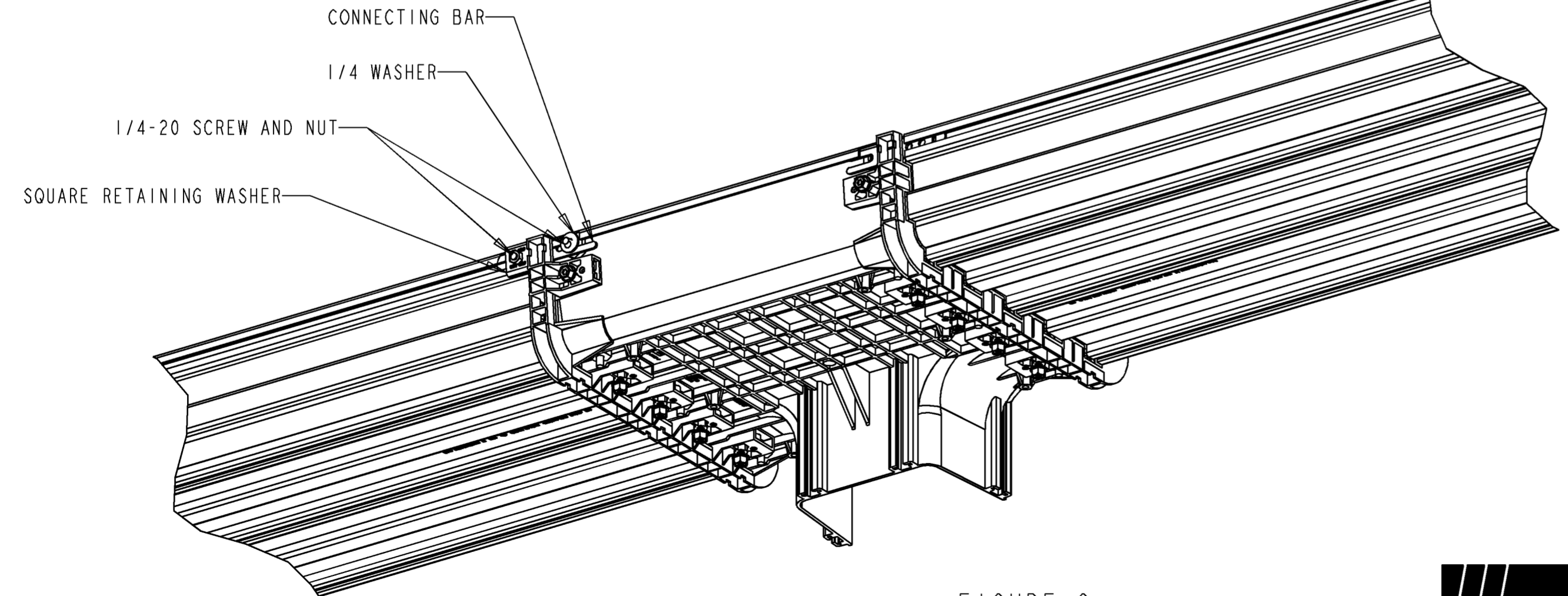


FIGURE 2
SCALE 0.250



| | | | |
|--|---|---|---|
| <small>INFORMATION ON THIS DOCUMENT IS PROPRIETARY TO ADC AND SHALL NOT BE USED, COPIED, REPRODUCED OR DISCLOSED IN WHOLE OR IN PART WITHOUT WRITTEN CONSENT OF ADC.</small> | | <small>TITLE</small> INSERTABLE DOWNSPOUT (INSTL DWG) | |
| <small>ALL DIMS AND TOLERANCES ARE INCHES UNLESS OTHERWISE SPECIFIED</small> | <small>.XX:± N/A .XXX:± N/A ANGULAR:± N/A</small> | <small>C SIZE</small> C | <small>DRAWING NUMBER</small> 1066576 |
| <small>DO NOT SCALE DRAWING</small> | <small>ENGR:</small> KEVIN HRUBY <small>DWN:</small> CRAIG ZELASKO | <small>SHT.</small> 2 <small>OF</small> 2 | <small>C REV</small> |

**DIMENSIONS IN INCHES
THIRD ANGLE PROJECTION**