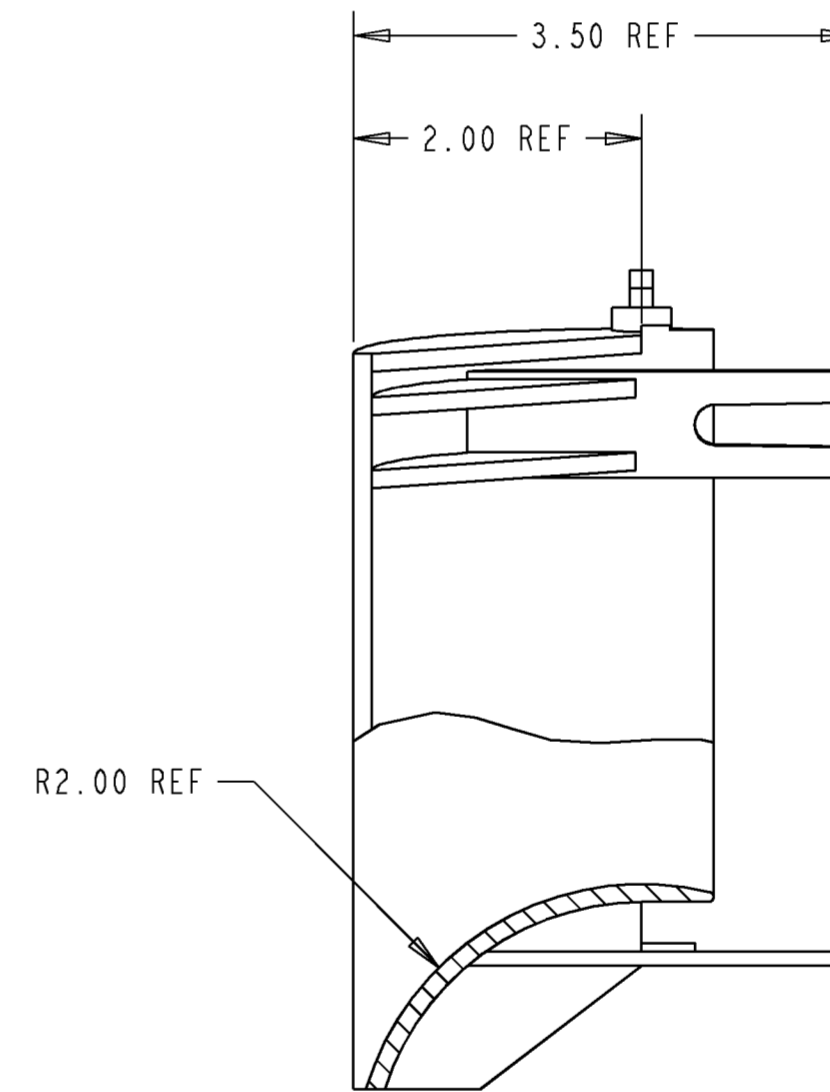
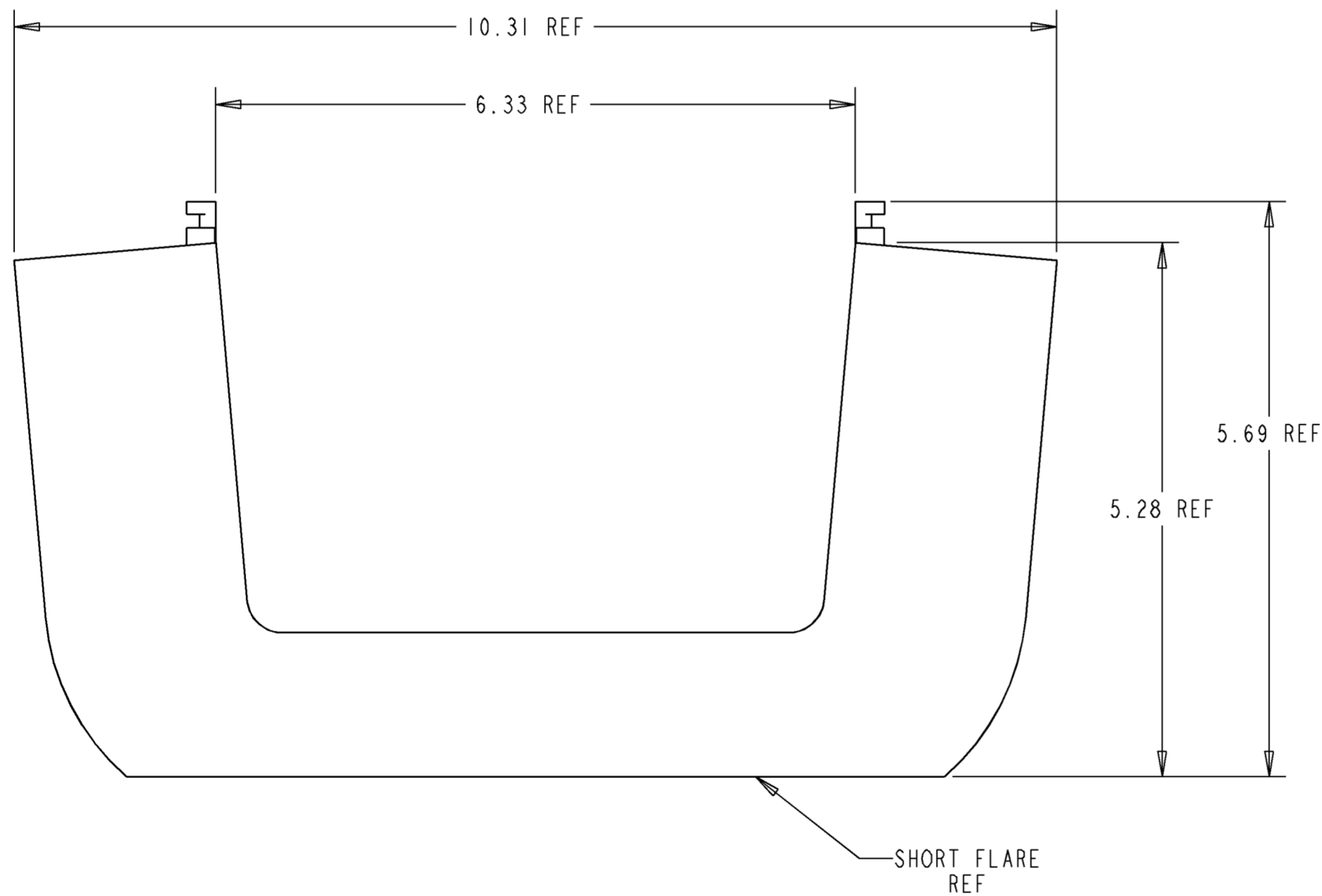
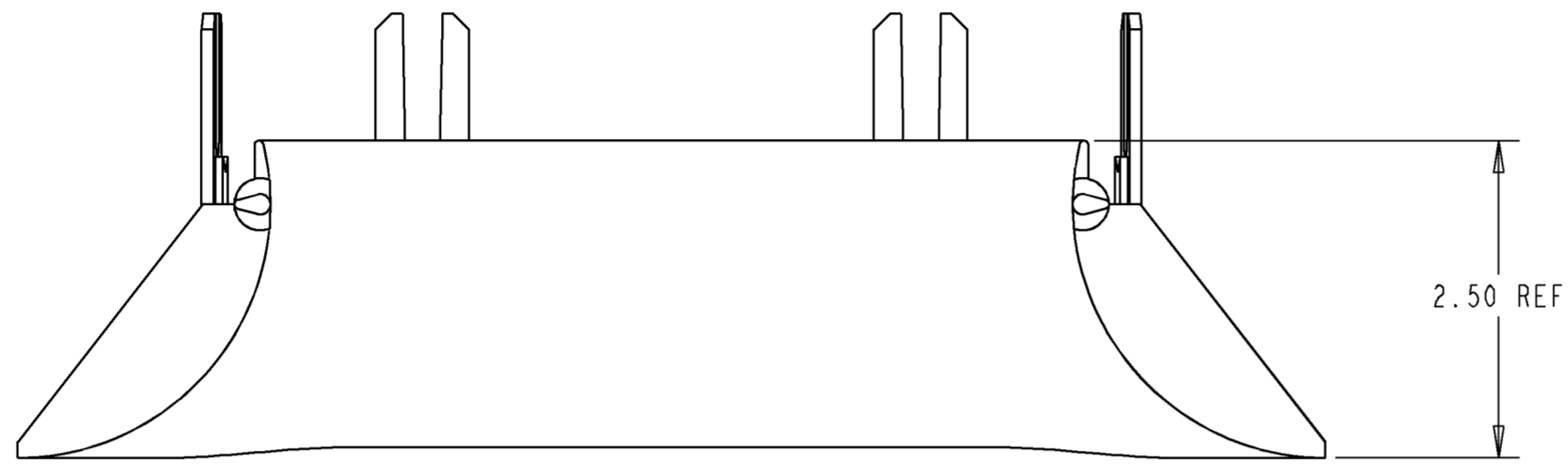


REV	MCO	DWN	DATE
C	20273746	GCC	25-SEP-09
D	20273560	RCR	25-SEP-09



**NOTES:**

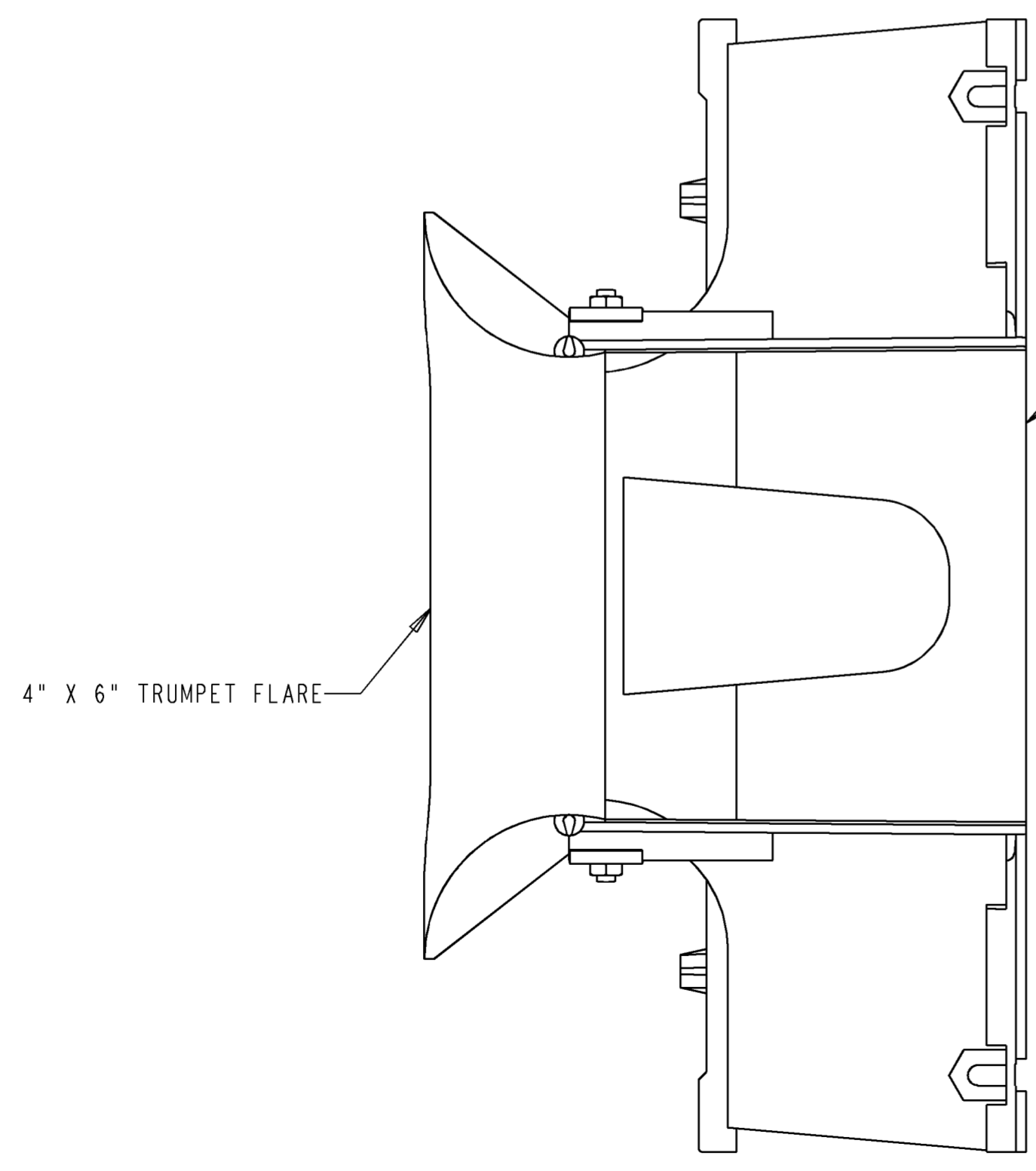
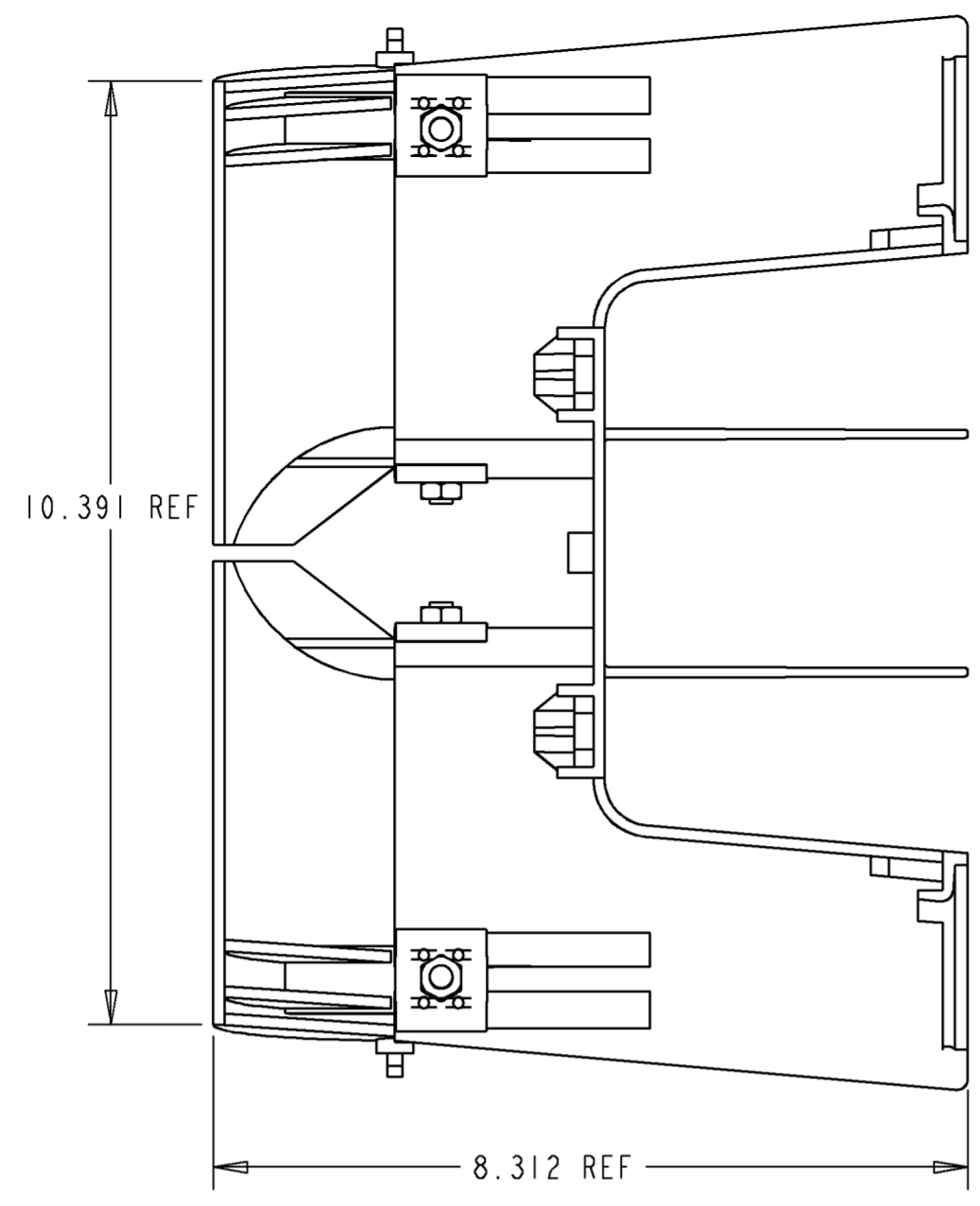
1. KIT INCLUDES (2) TRUMPET FLARES AND MOUNTING HARDWARE.
2. MATERIAL IS SELF EXTINGUISHING WITH A UL 94 RATING OF V-0.

CATALOG NO.	COLOR
FGSB-MTRM-2B-IMP	BLACK
FGS-MTRM-2B-IMP	YELLOW
FGSO-MTRM-2B-IMP	ORANGE

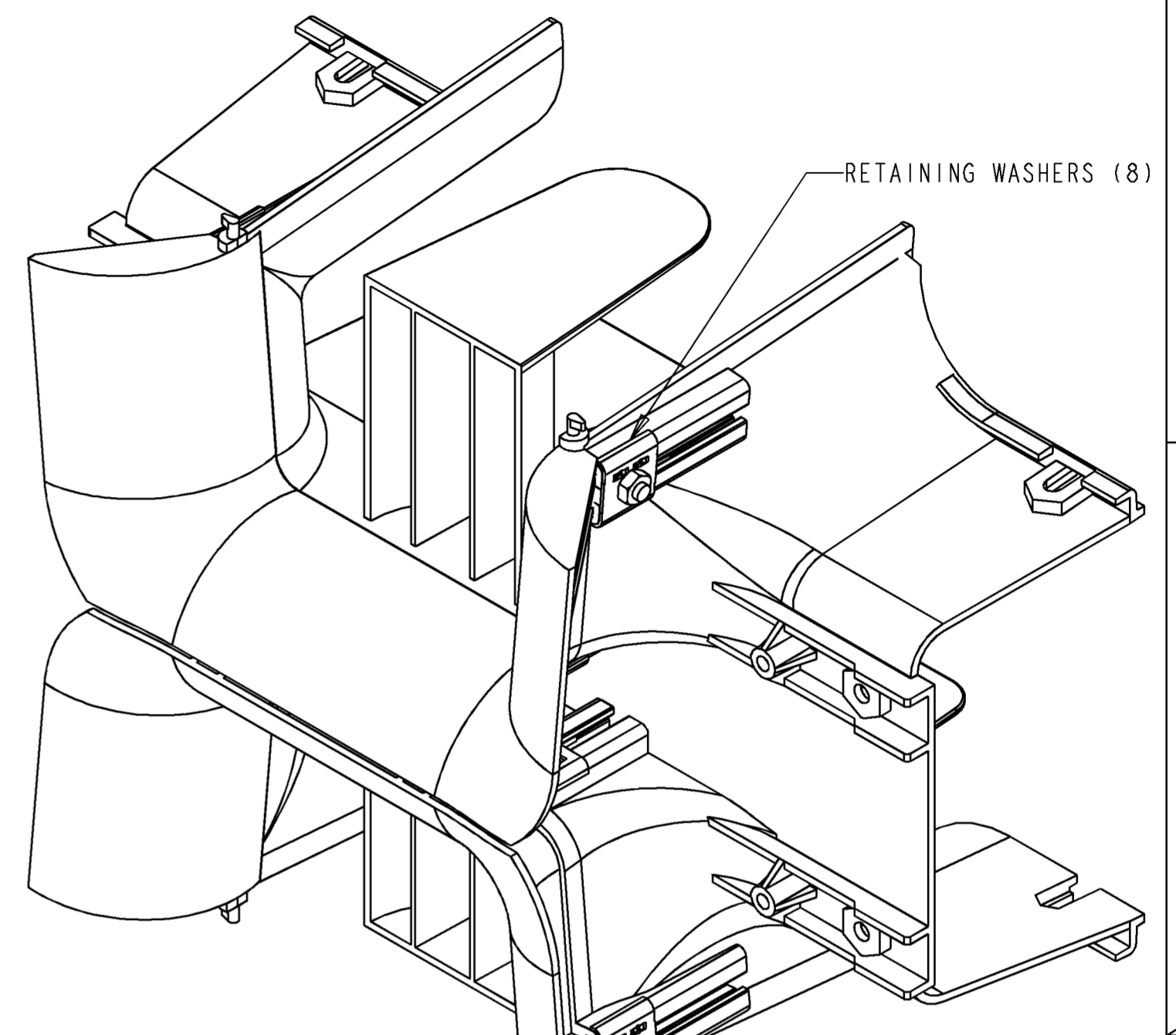


INFORMATION ON THIS DOCUMENT IS PROPRIETARY TO ADC AND SHALL NOT BE USED, COPIED, REPRODUCED OR DISCLOSED IN WHOLE OR IN PART WITHOUT WRITTEN CONSENT OF ADC.		TITLE KIT, TRUMPET, DUAL, 4X6 INSTALLATION DRAWING	
ALL DIMS AND TOLERANCES ARE INCHES UNLESS OTHERWISE SPECIFIED	.XX:±N/A .XXX:±N/A ANGULAR:±N/A	C SIZE	D REV
DO NOT SCALE DRAWING	ENGR: T. HAATAJA DWN: T. HAATAJA	DRAWING NUMBER 1057472	SHT. 1 OF 2

DIMENSIONS IN INCHES  
THIRD ANGLE PROJECTION



4" X 6" FITTING REF  
(4" X 6" DUAL DOWNSPOUT  
WITH DUAL IMP EXITS SHOWN  
FOR REF ONLY)



1/4-20 NUTS OR  
KNOB, PLASTIC  
(8)

1/4-20 BOLTS OR  
1/4-20 X .750 SCREW  
(8)

**ASSEMBLY INSTRUCTIONS:**

1. INSERT (8) 1/4-20X .500 SCREWS OR 1/4-20 X .750 SCREW INTO THE (8) SOCKETS IN THE EXIT OF THE FITTING, AS SEEN IN DETAIL A.
2. LOCATE TRUMPET FLARE ONTO EXIT OF FITTING, OVER THE SCREWS INSERTED IN NOTE 1. ASSEMBLE (8) RETAINING WASHERS AND (8) 1/4-20 NUTS OR KNOB, PLASTIC ONTO THE (8) 1/4-20 SCREWS FROM NOTE 1, AS SHOWN. TIGHTEN SCREWS COMPLETELY.



INFORMATION ON THIS DOCUMENT IS PROPRIETARY TO ADC AND SHALL NOT BE USED, COPIED, REPRODUCED OR DISCLOSED IN WHOLE OR IN PART WITHOUT WRITTEN CONSENT OF ADC.

TITLE  
KIT TRUMPET, DUAL, 4X6  
INSTALLATION DRAWING

ALL DIMS AND TOLERANCES ARE INCHES UNLESS OTHERWISE SPECIFIED

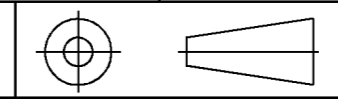
SIZE .XX:±N/A .XXX:±N/A ANGULAR:±N/A

C DRAWING NUMBER D  
1057472 REV

DO NOT SCALE DRAWING

ENGR: T. HAATAJA  
DWN: T. HAATAJA

SHT. 2 OF 2



**DIMENSIONS IN INCHES  
THIRD ANGLE PROJECTION**