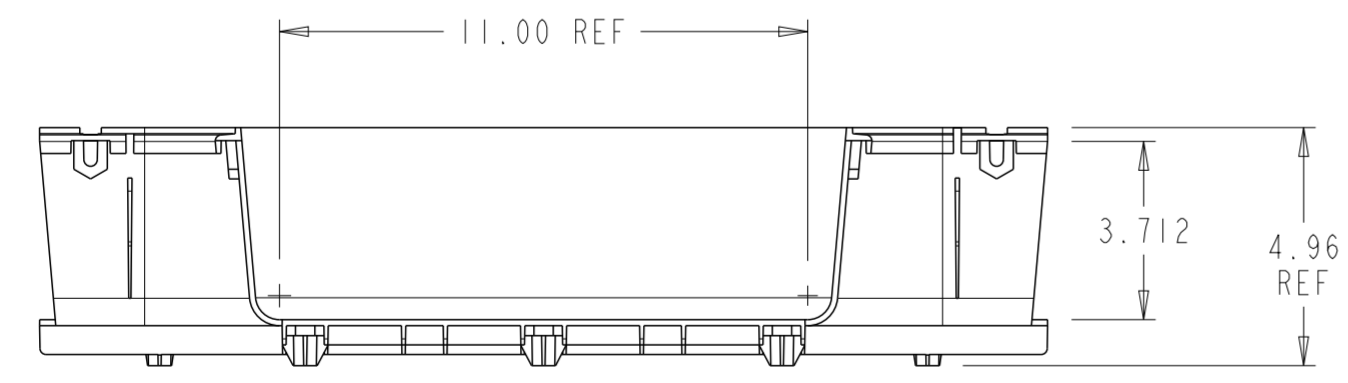
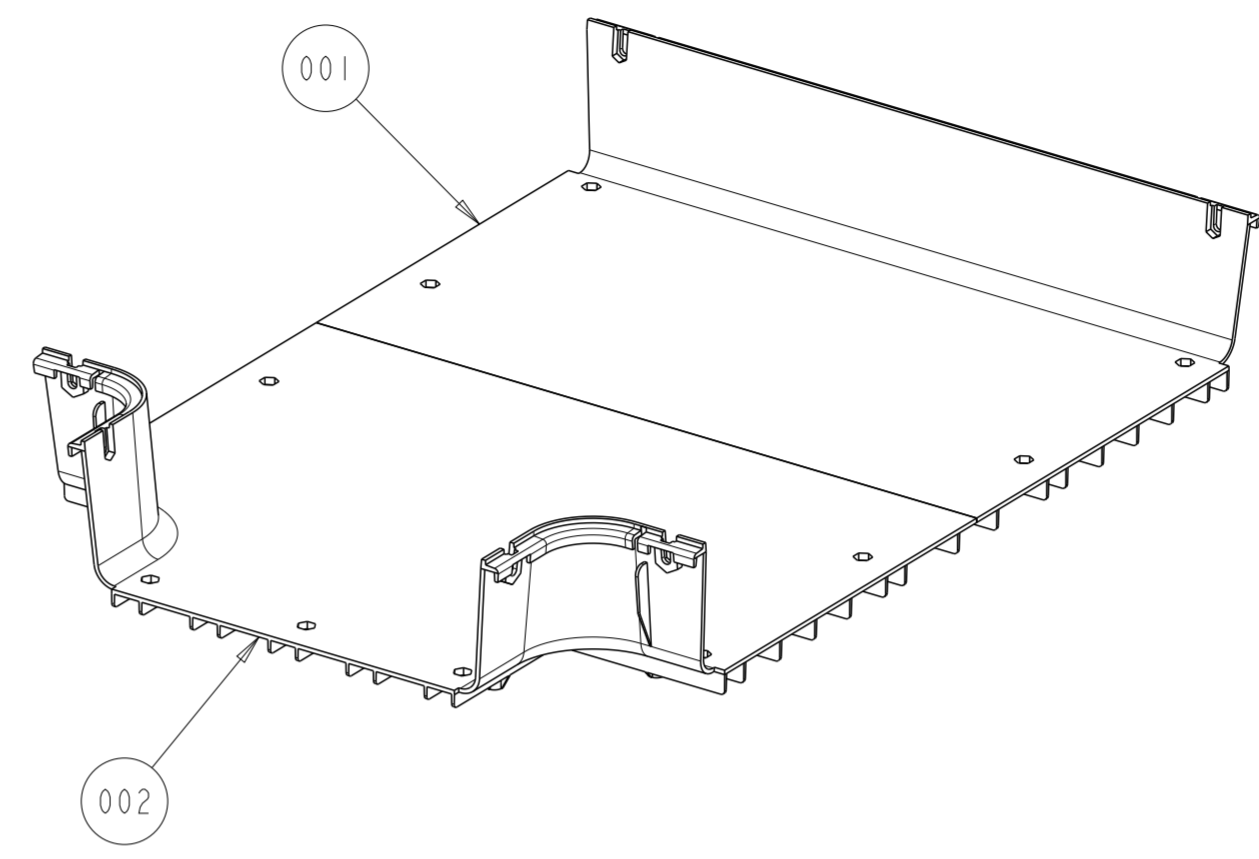
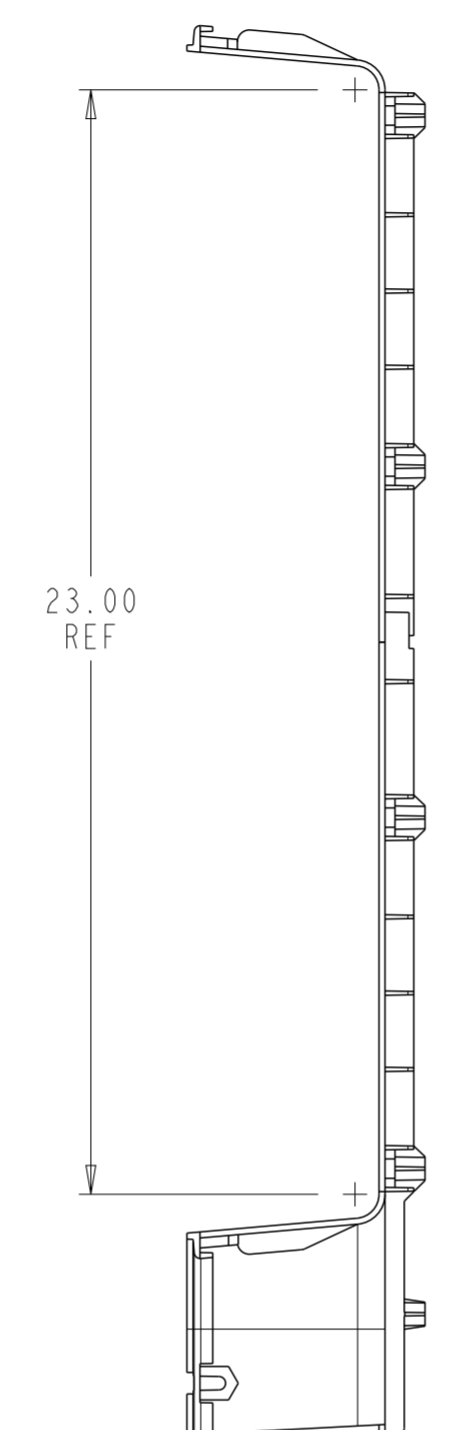
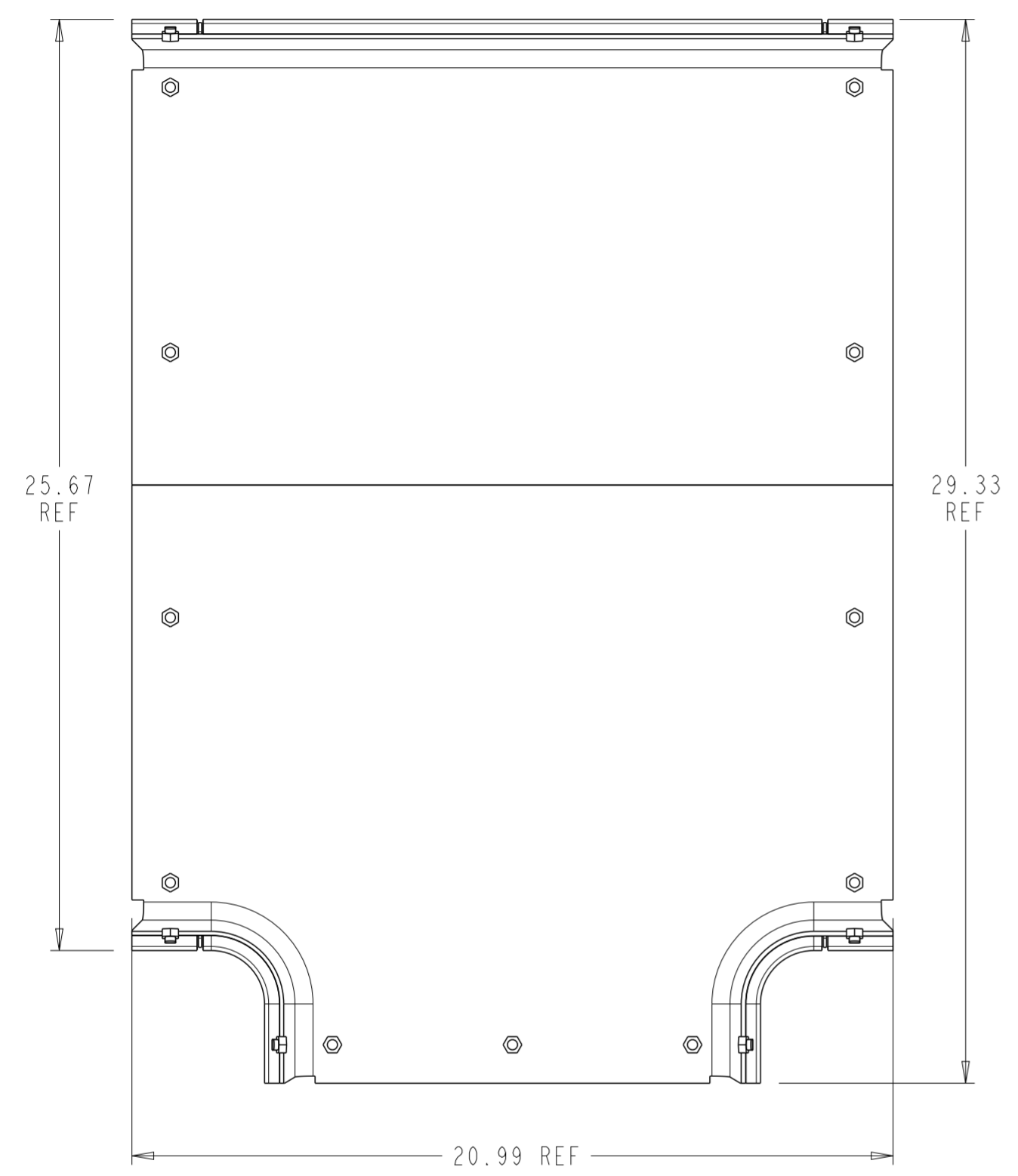


REVISIONS			
REV	DESCRIPTION	DATE	APPROVED
E	20289601	15-JUN-10	CH
A	40097980CMO	21-OCT-2019	MAM



FGSB-MHRT-H/F	BLACK	F/N 001
FGS-MHRT-H/F	YELLOW	F/N 001
CATALOG NO.	COLOR	MATERIAL

COMMSCOPE, INC.									
TOLERANCES					SAP MATERIAL MASTER				
N/A									
FINISH					MATERIAL				
N/A					SEE BOM				
UNLESS OTHERWISE SPECIFIED DIMENSIONS ARE IN MILLIMETERS	DRAFTER			TITLE					
	MIGUEL MUÑOZ					***			
	CHECKER					***			
	VICTOR FLORES								
ENGINEER			SIZE	SCALE	DOCUMENT NO.				
RUBEN ARVILLA			A2	0.250	660004055				
CMO			40097980CMO						
ALL SURFACES		WORK AREA: 58		MODEL		DRAWING		SHEET	
✓		[Symbol]		VERSION		STATUS		REVISION	
				00		00		RE A	
								1 OF 1	

© 2019 CommScope, Inc. Confidential
 NOTICE: These drawings and specifications are the proprietary property of COMMSCOPE, INC. and may be used only for the specific purpose authorized in writing by COMMSCOPE, INC.