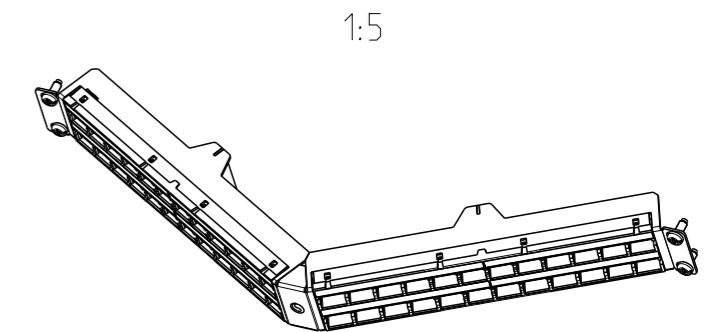
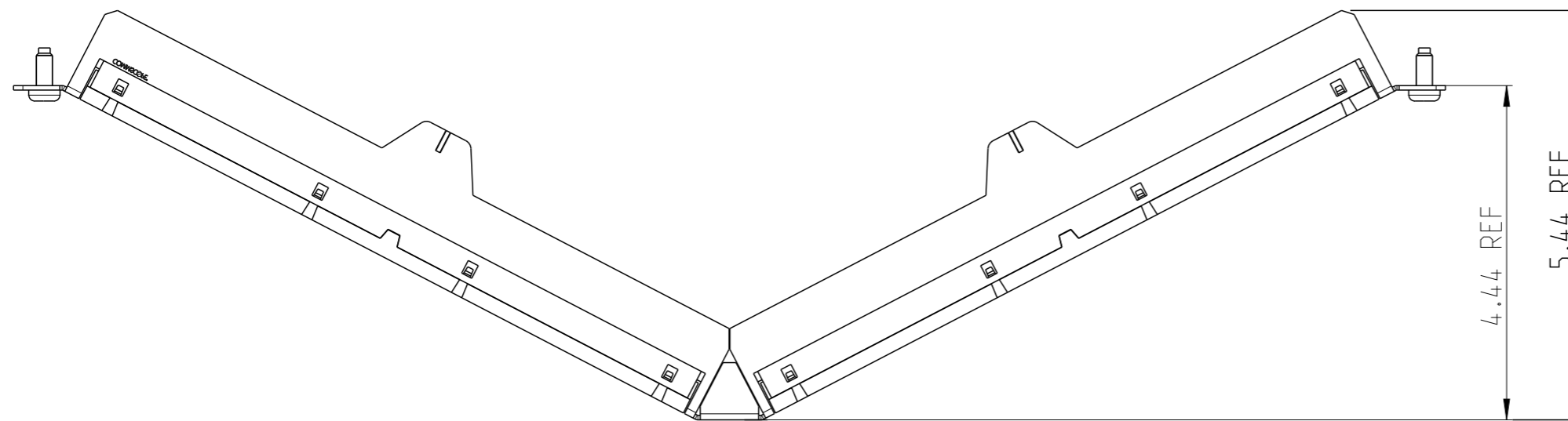
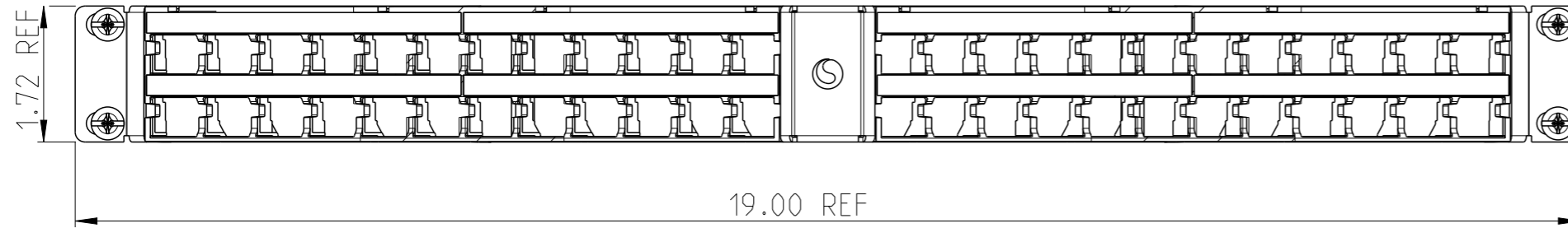


REVISIONS			
REV	CMO	DATE	APPROVED
A	40160709CMO	01-DEC-2022	MB

NOTES:

- DIMENSIONS SHOWN ARE FOR REFERENCE ONLY.
- DIMENSION UNIT IS : mm
- SEE SYSTIMAX CATALOG FOR COMPLETE LIST OF PARTS RELATED TO THE USE OF THIS PRODUCT.
- PART INCLUDES:
 (1) M4800A 1U ANGLED 48-PORT WHITE PANE ASSEMBLY
 (4) SCREW, COMBO HD, MACHINE, #12-24 X 0.50"



M4800A-1U-GS-WH		760254924	
DESCRIPTION		PART NUMBER	
COMMSCOPE, INC.			
DRAFTER	SANDESH A	TITLE M4800 1U ANGLED MODULAR PANEL, 48 PORT (MGS600 / MGS400), WHITE	
ENGINEER	SANDESH A	SIZE A3	SCALE 1:2
		DOCUMENT NO. 760254924-C	
		CUSTOMER DRAWING	
		REVISION A	SHEET 1 OF 1