

MT-416



Non-Penetrating Roof Sled

Product Classification

Product Type	Tripod mount component
Ordering Note	NSTD445 Compliant

General Specifications

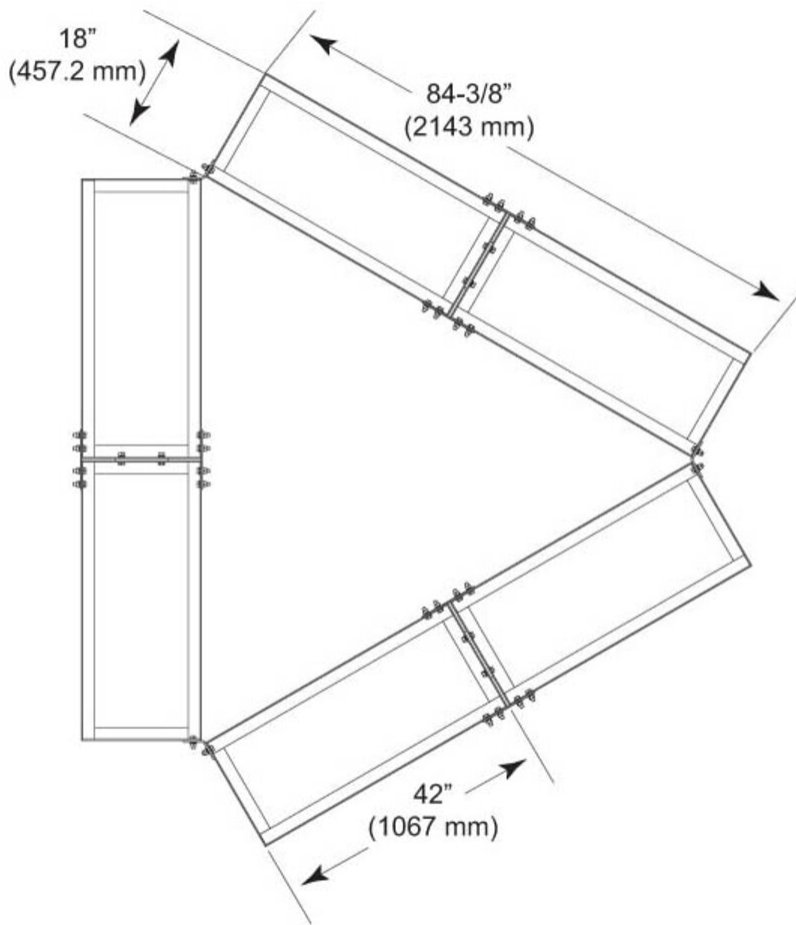
Mounting	Non-penetrating
-----------------	-----------------

Dimensions

Height	76.2 mm 3 in
Width	2,209.8 mm 87 in
Length	2.225 m 7.3 ft

MT-416

Outline Drawing



Material Specifications

Material Type Hot dip galvanized steel

Packaging and Weights

Included Sled

Packaging quantity 1

Weight, net 77.9 kg | 171.74 lb

Regulatory Compliance/Certifications

Agency	Classification
--------	----------------

MT-416

ISO 9001:2015

Designed, manufactured and/or distributed under this quality management system

