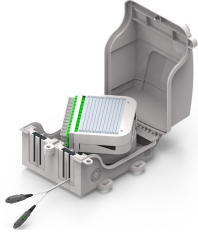


BUDI-R

Base Product



BUDI™ Rapid Fiber Optic Wall mount Enclosure, with RapidReel® fiber cable

The BUDI™ rapid fiber distribution terminal (BUDI-R) is a compact, high density, fiber box solution, designed to speed up installation requirements on the customer premises.

Utilizing the RapidReel® fiber cable spool, the BUDI-R deploys up to 1,000 feet of indoor plenum cable or I/O riser single cable. The multi-fiber cable terminates to multi-fiber push-on (MPO) connectors, hardened multi-fiber optical connectors (HMFOC) or connectors less option for splicing applications (Dummy MPO with pulling eye included), ensuring fast cable routing and simplified handling by technicians. For service turn-up, the BUDI-R features up to 24 fiber ports for fast, plug-and-play drop cable connections using wrap-around ports.

Benefits:

- Compact plastic design: 4.9 in (124.4 mm) x 8.4 in (213.4 mm) x 10.63 in (270 mm).
- Indoor and outdoor applications (IP54 and UL94)
- Equipped with 24 adapter ports. Cable terminated to MPO or HMFOC connectors. Connector less option also available
- RapidReel fiber cable spool deploys up to 50 ft (15 m) of stubbed cable. External spool included for cable lengths over 50 ft (15 m) up to 1,000 ft (305 m). Standard cable length increments of 100 ft.
- Cost savings: RapidReel fiber cable spool reduces upfront deployment costs by eliminating site survey inspections, reducing labor hours and streamlining cable requirements
- Reduced labor: Preconnectorized plug-and-play solution eliminates splice labor requirements and speeds network construction
- Space savings: Compact MPO connector design and multifiber cable is ideal for high-density intrafacility applications. Excess fiber is stored within unit. No additional enclosures are required for intrafacility applications
- Hinge mechanism locks cover in open position for unhindered technician access
- Removable door and security captive screw (216) included
- External fiber management accessory (skirt) available

Product Classification

Regional Availability	Australia/New Zealand Europe North America
Portfolio	CommScope®
Product Type	Rapid distribution terminal
Product Brand	BUDI™ RapidReel®
Product Series	BUDI-R
Warranty	For more information, please consult our Product Warranty guidelines

General Specifications

Functionality	Patching Slack storage
Adapters, quantity	24

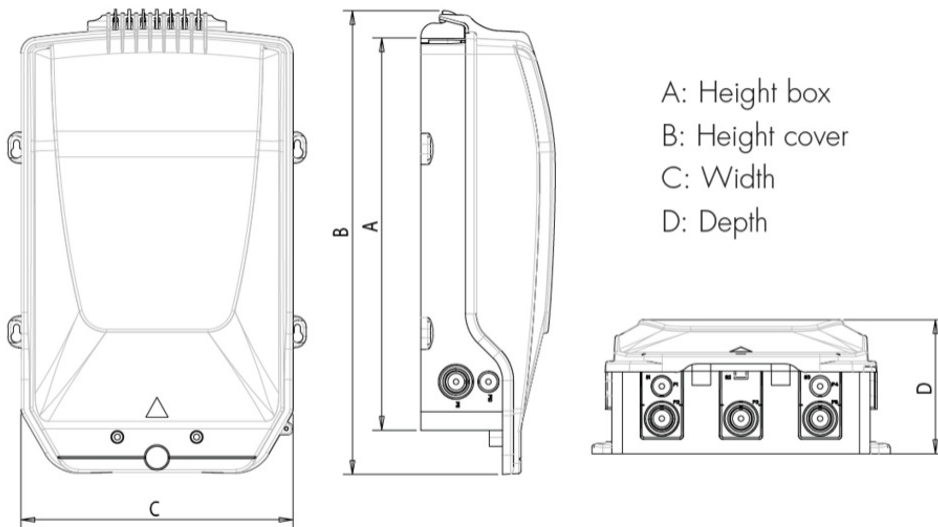
BUDI-R

Cable Entry Location	Bottom
Cable Sealing Type	Gasket/grommet configuration
Color	Gray
Distribution Type	24 ports
Interface	SC/APC SC/UPC
Interface, stub	HMFOC MPO No connector
Lock Type	Security screw
Mounting	Wall mount
Port, quantity	24

Dimensions

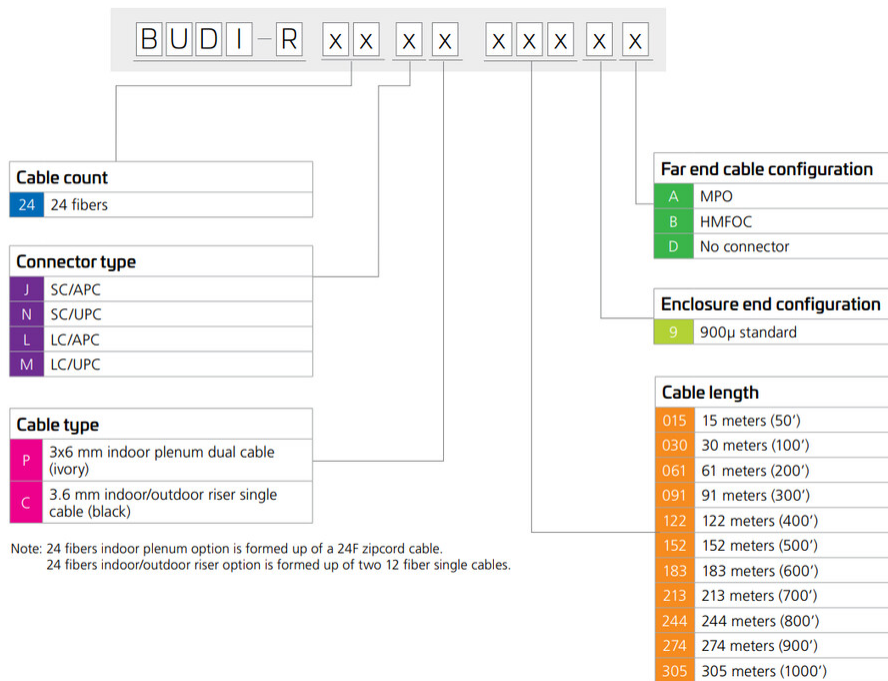
Height	270 mm 10.63 in
Width	214 mm 8.425 in
Depth	125 mm 4.921 in

Dimension Drawing



Ordering Tree

BUDI-R



Material Specifications

Material Type Polycarbonate ABS (PC-ABS)

Optical Specifications

Fiber Mode Singlemode

Fiber Type G.657.A2

Environmental Specifications

Operating Temperature -40 °C to +65 °C (-40 °F to +149 °F)

Environmental Space Indoor/Outdoor

Flammability Rating UL 94 V-0

Qualification Standards IEC 61753-1 | UL

Packaging and Weights

Packaging quantity 1

Packaging Type Carton

* Footnotes

BUDI-R

Warranty

For more information, please consult our Product Warranty guidelines