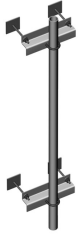


# MT-250

---



Cantilever Wall Mount Bracket, 2-3/4 in stand-off, pipe not included

## Product Classification

**Product Type** Wall mount kit

## General Specifications

**Mounting** Walls

## Dimensions

**Height** 101.6 mm | 4 in

**Width** 368.3 mm | 14.5 in

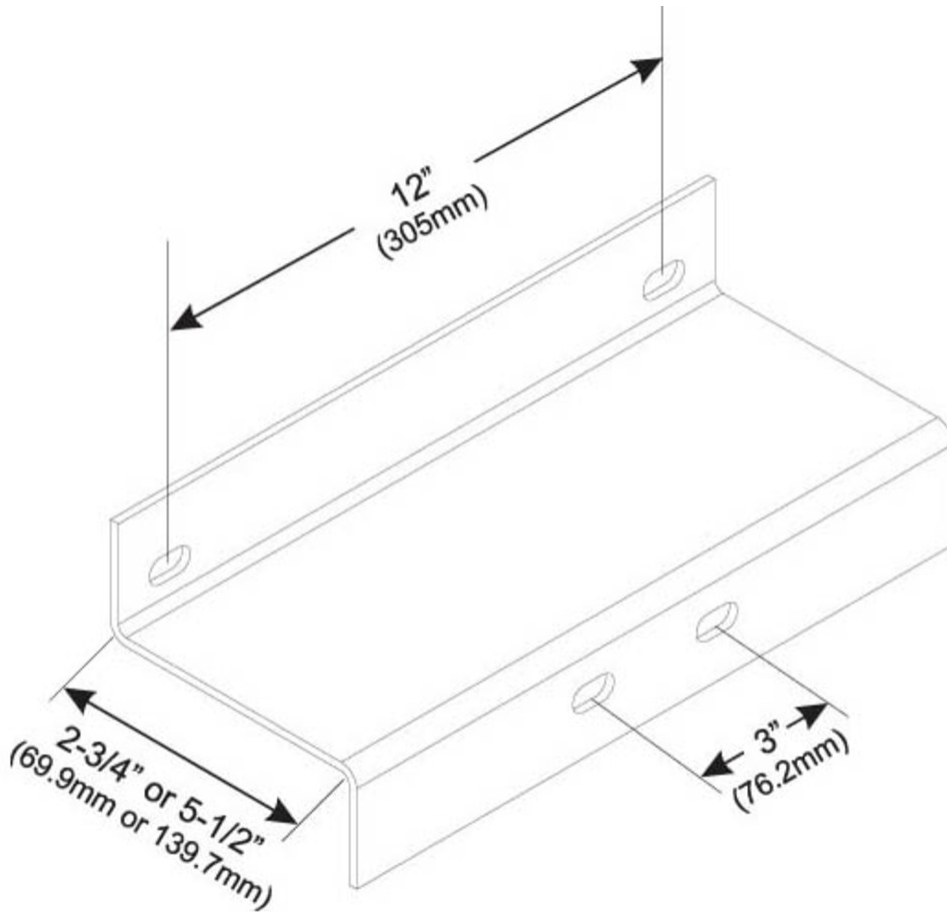
**Length** 101.6 mm | 4 in

**Pipe Outer Diameter** 60.96 mm | 2.4 in

**Stand-off Distance** 71.12 mm | 2.8 in

# MT-250

## Outline Drawing



## Material Specifications

**Material Type** Hot dip galvanized steel

## Mechanical Specifications

**Wind Rating** For Specifications, please contact your local ANDREW representative

## Packaging and Weights

**Included** Anchors | Brackets (2) | U-bolts | Wall mount hardware

**Packaging quantity** 2

**Weight, net** 9.3 kg | 20.503 lb

# MT-250

---

## Regulatory Compliance/Certifications

<b>Agency</b>	<b>Classification</b>
CHINA-ROHS	Above maximum concentration value
ISO 9001:2015	Designed, manufactured and/or distributed under this quality management system
ROHS	Compliant/Exempted
UK-ROHS	Compliant/Exempted



## \* Footnotes

**Wind Rating**                      BWS—Base Wind Speed; FBC—Florida Building Code