

4

3

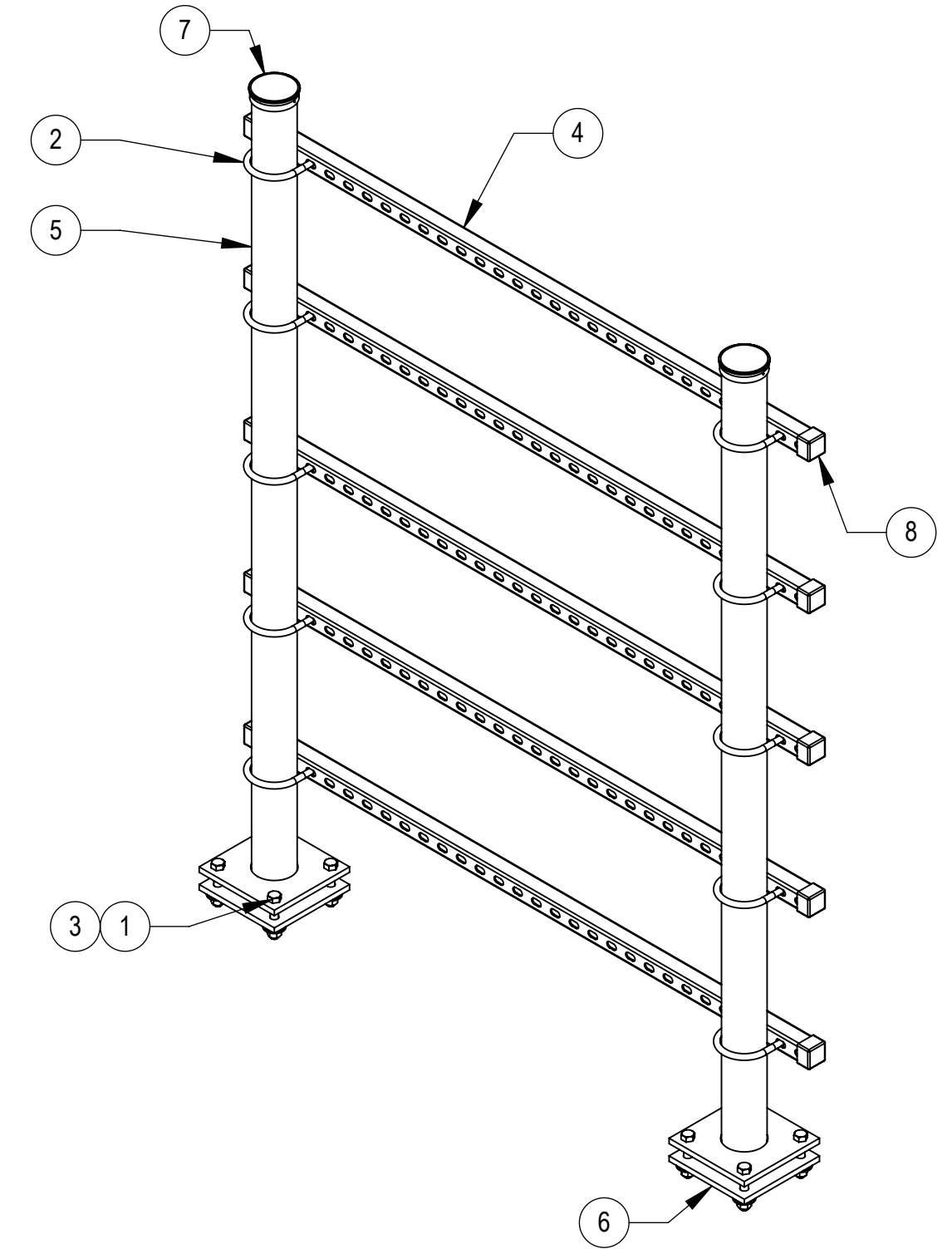
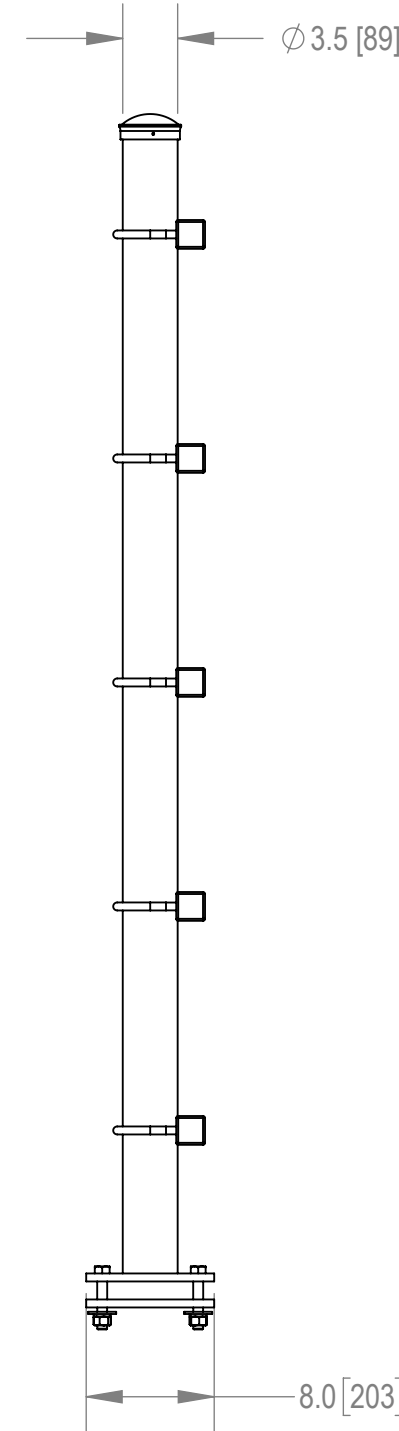
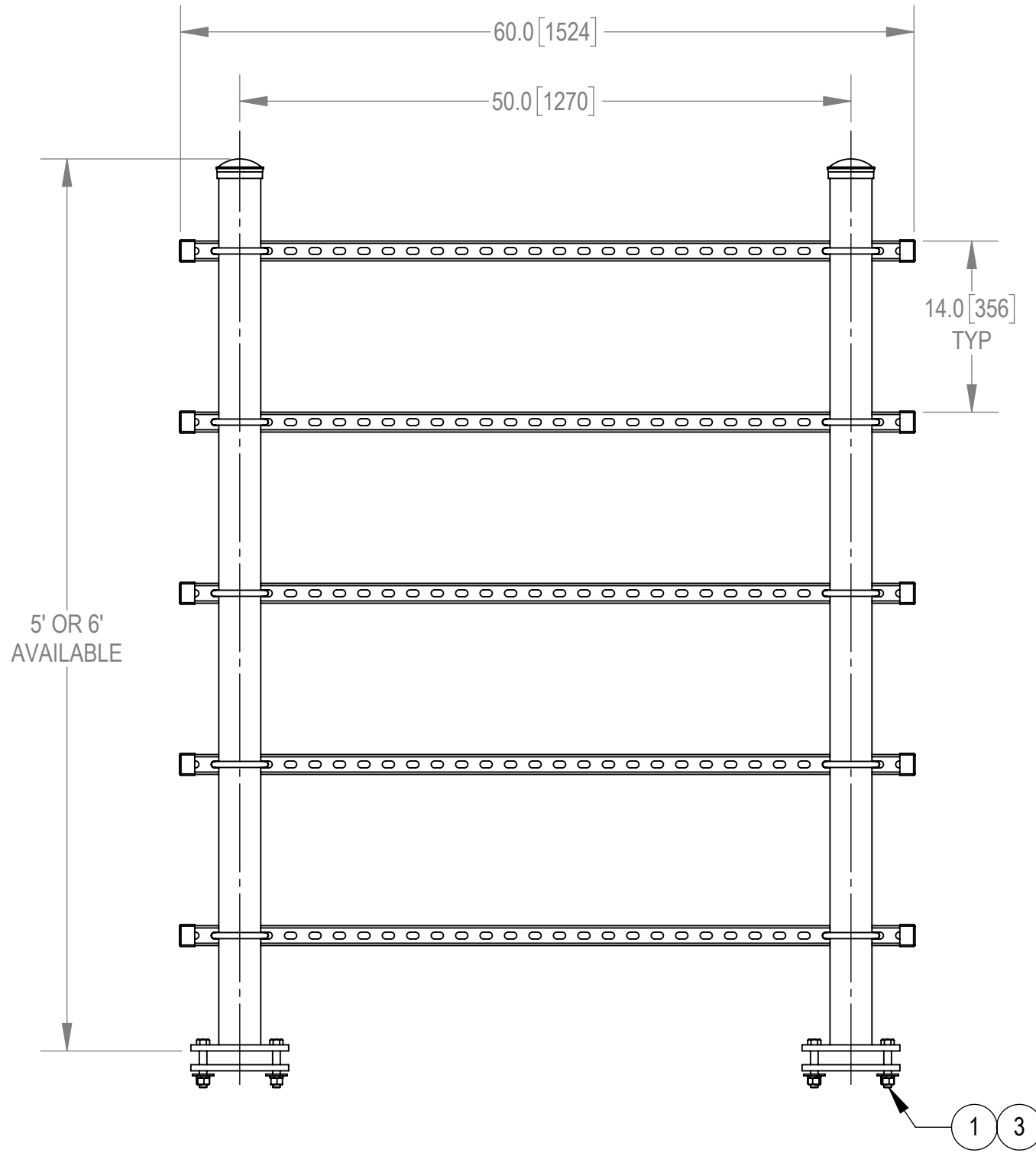
2

1

NOTES:

- 1.0 GENERAL
 - 1.1 ALL METRIC DIMENSIONS ARE IN BRACKETS
 - 1.2 FOR PATENTS, SEE WWW.CS-PAT.COM
- 2.0 DESIGN NOTES
- 3.0 MANUFACTURING/SPECIAL REQUIREMENTS
- 4.0 TEST
- 5.0 PACKAGING

REVISIONS				
REV.	ECN	DESCRIPTION	BY	DATE
A	8000042057	INITIAL RELEASE	MRC	09/22/20



PART NO.	DESCRIPTION	POST WELDMENT	UNISTRUT QTY
MTC4045HF65	H-FRAME, 6' POST HEIGHT, 5 UNI-STRUT	MTC4045-01	5 @ 60"
MTC4045HF55	H-FRAME, 5' POST HEIGHT, 5 UNI-STRUT	MTC4045-02	5 @ 60"

ITEM NO.	PART NUMBER	DESCRIPTION	QTY FOR MTC4045HF65	QTY FOR MTC4045HF55
1	GB-05345	5/8" X 3-1/2" GALV BOLT KIT	8	8
2	GUB-4355	1/2" X 3-5/8" X 5" GALV U-BOLT	10	10
3	GWF-05	5/8" GALV FLAT WASHER, 1.7OD	8	8
4	MT50460	SQ. SUPPORT RAIL, 1-5/8" X 60" LONG	5	5
5	MTC4045-01	WELDMENT, 6" PIPE	2	2 EA MTC4045-02
6	MTC4045-12	BASE PLATE, 3" PIPE	2	2
7	PC-034	PIPE CAP 3-1/2"	2	2
8	PTCR01	END CAP	10	10

COMMSCOPE, INC. OF NORTH CAROLINA

TOLERANCES: 0 PLACE X ± .25, 1 PLACE .X ± 0.12, 2 PLACE .XX ± 0.06, ANGLES ± 2°

SAP MATERIAL MASTER: MTC4045HF SERIES

FINISH: GALV A123 | MATERIAL: A500, A1011/A1018

NAME	DATE	TITLE
CE MRC	07/28/20	H-FRAME, PLATFORM, MTC4045
RW MC1107	09/30/2020	
RV	10/01/2020	
AD BCAMPBELLCON	10/01/2020	
RE BCROSS	10/01/2020	SCALE: 1:12
ECN 008000042057		DOCUMENT NO. MTC4045HF SERIES
SIZE	WORK AREA 24	MODEL
C	[Symbol]	VERSION
		STATUS
DRAWING		SHEET
VERSION	STATUS	REVISION
01	RE	A
DRAWING		SHEET
VERSION	STATUS	REVISION
01	RE	A

1 OF 2

DENSITY		lbs/in ³
MASS	59.74	lbs
VOLUME	662.07	in ³
SURFACE AREA	7174.04	in ²
HEIGHT		
LENGTH		
WIDTH		

4

3

2

1

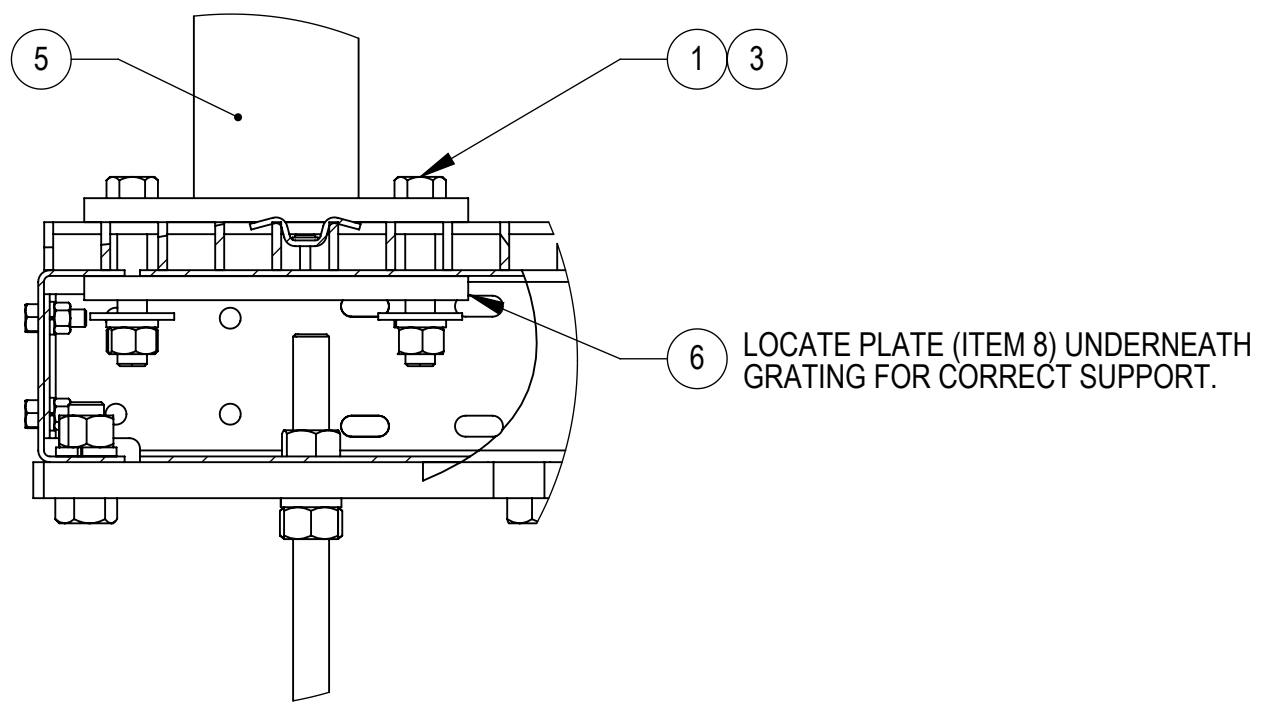
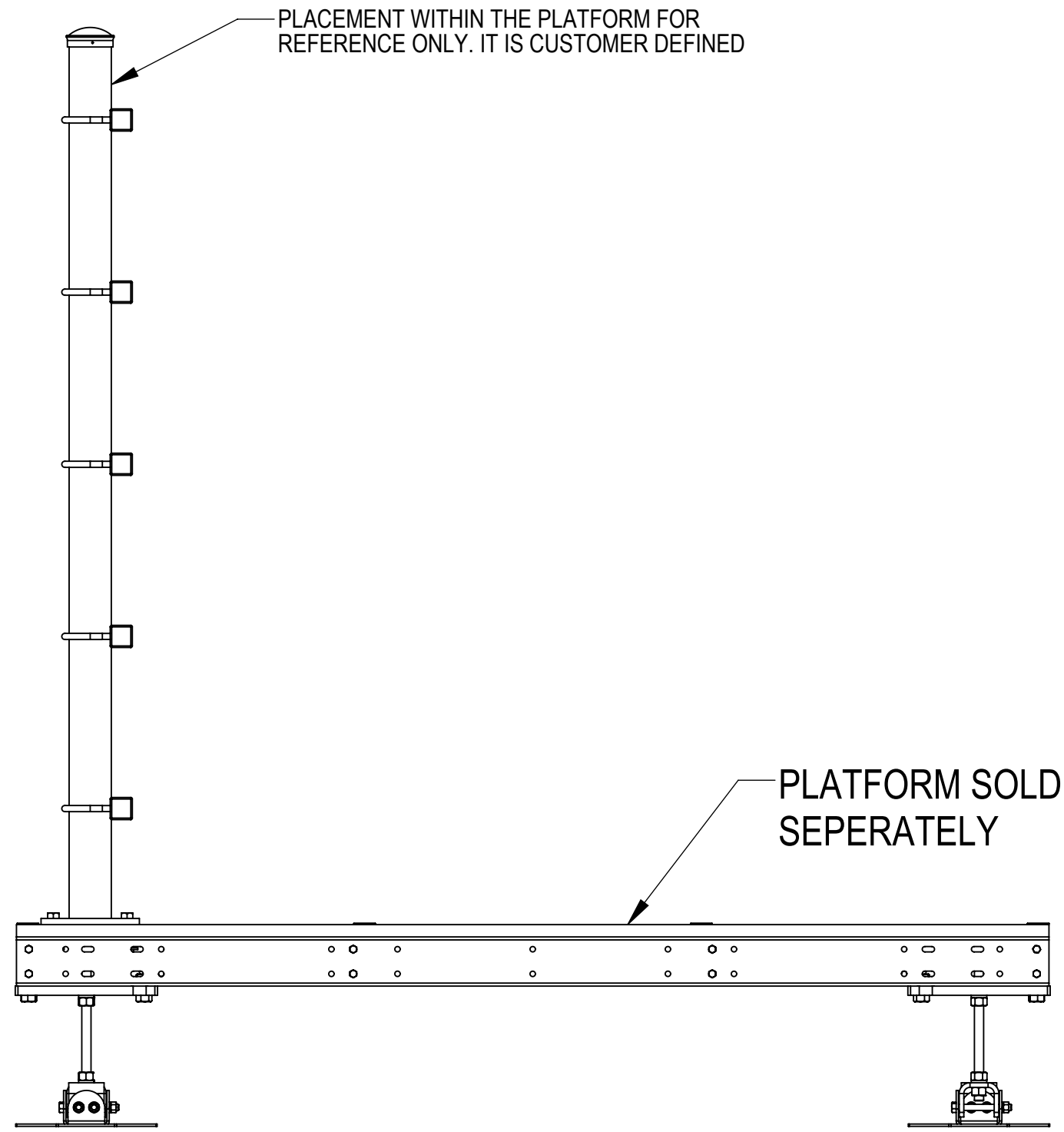
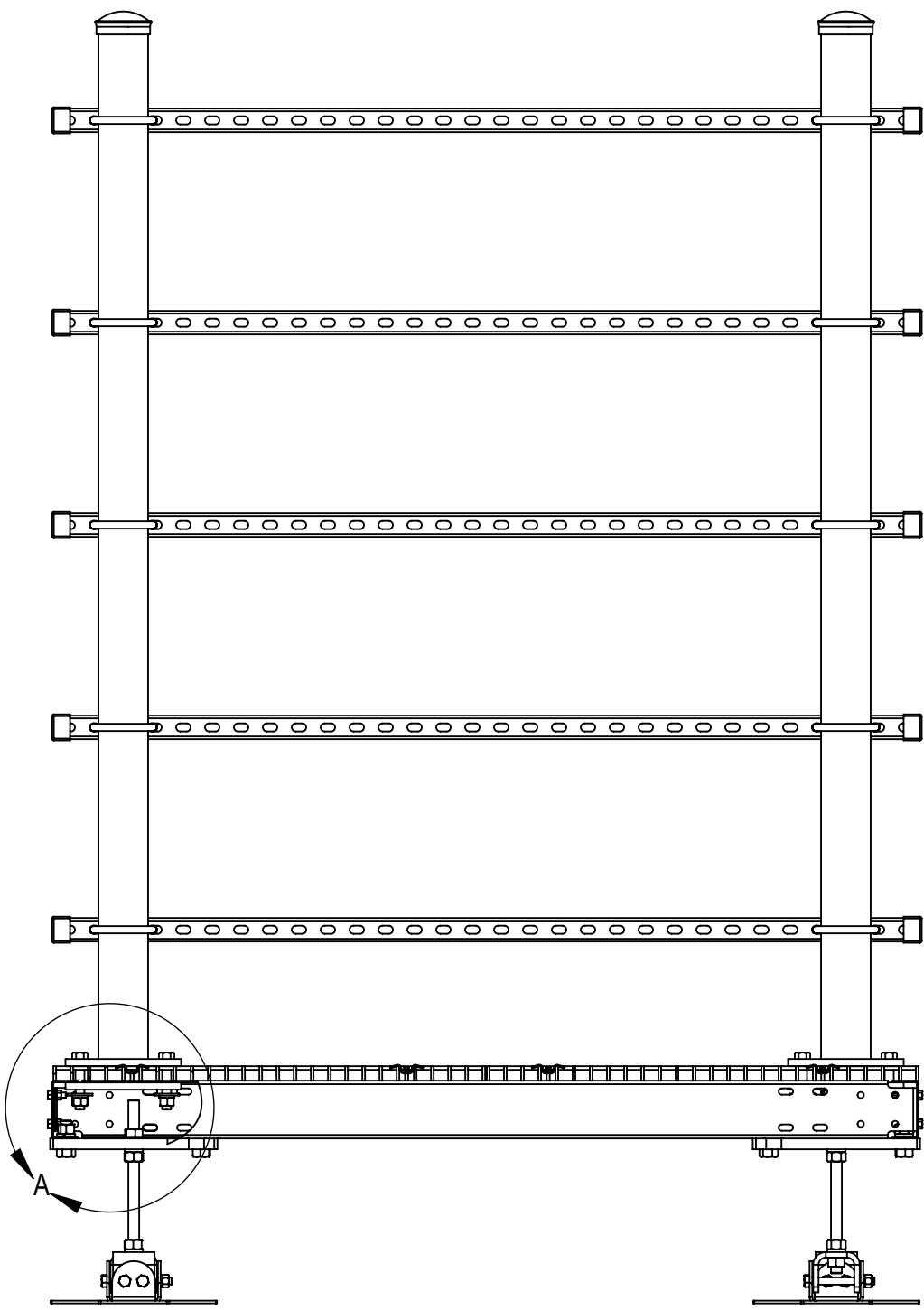
4

3

2

1

NOTES:



DETAIL A
SCALE 1 : 4

COMMSCOPE, INC. OF NORTH CAROLINA				
TITLE H-FRAME, PLATFORM, MTC4045				
SIZE C	SCALE 1:12	DOCUMENT NO. MTC4045HF SERIES		
		DRAWING		SHEET
		VERSION	STATUS	REVISION
		01	RE	A
				2 OF 2

© 2020 CommScope, Inc.

4

3

2

1