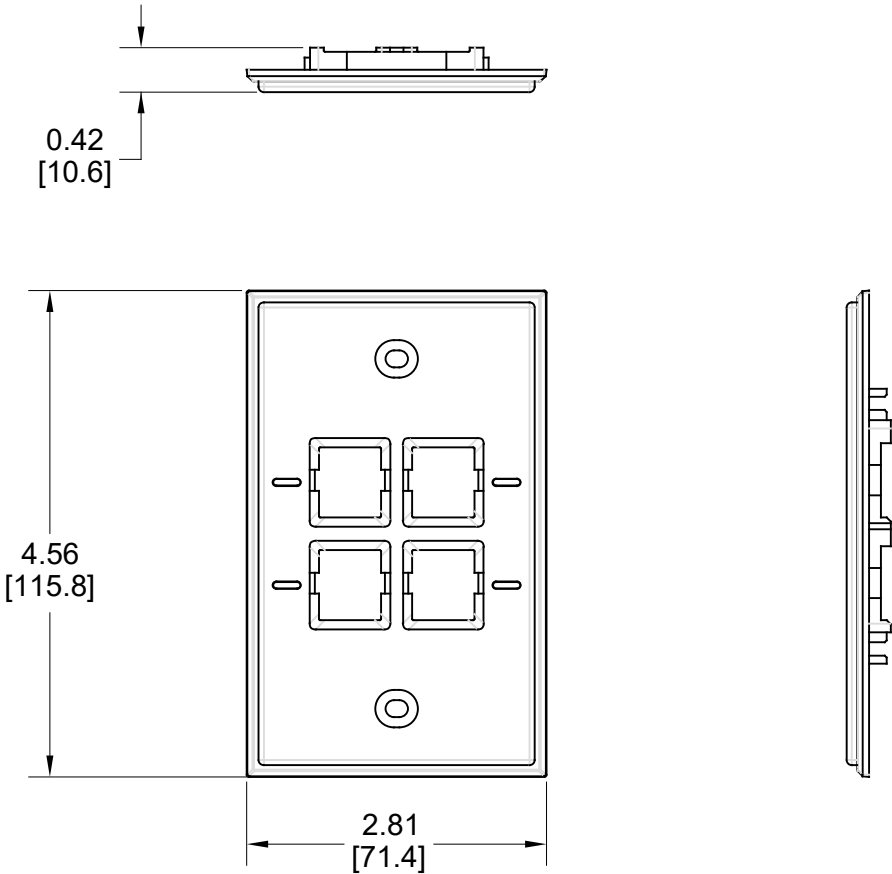


MATERIAL ID	DESCRIPTION
760249150	FP KT 4P NLBL 266

NOTES:

- SEE COMMSCOPE CATALOG FOR PART NUMBER SUFFIXES TO INDICATE COLOR/PKG.
- SEE COMMSCOPE CATALOG FOR COMPLETE LIST OF PARTS RELATED TO THE USE OF THIS PRODUCT.
- DIMENSIONS IN PARENTHESSES ARE IN METRIC[MM].
- PART INCLUDES:
 - (1) 4 PORT NAR NLBL FP, AWHT
 - (2) SCREW



FP KT 4P NLBL 266			
COMMSCOPE, INC OF NORTH CAROLINA			
DRAWN BY		DATE	
JW		02/03/2021	
DWG NO			760249150

1	02/03/21		INITIAL ISSUE	FW
REV	DATE	ECR	DESCRIPTION	APPROVED BY