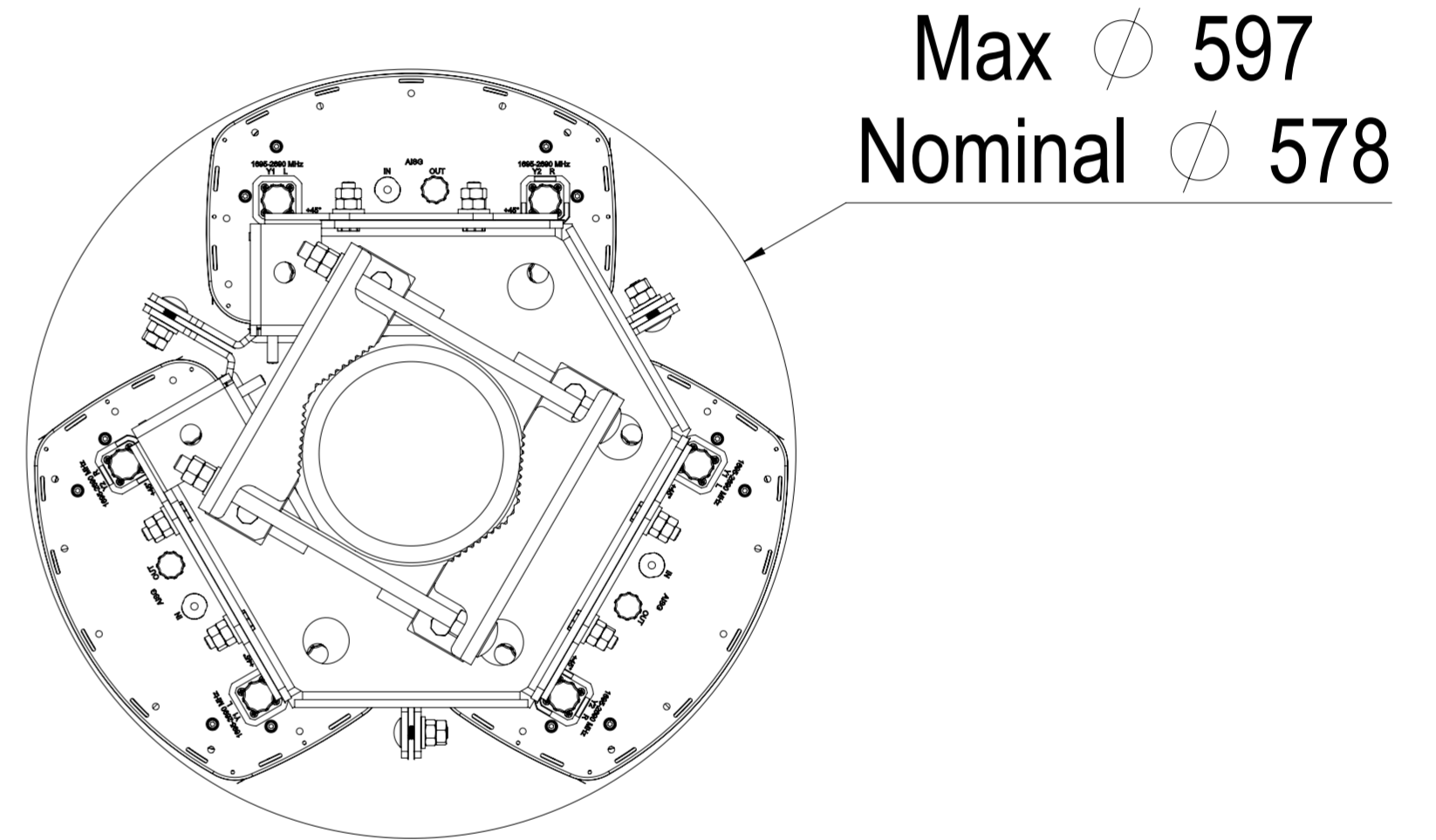
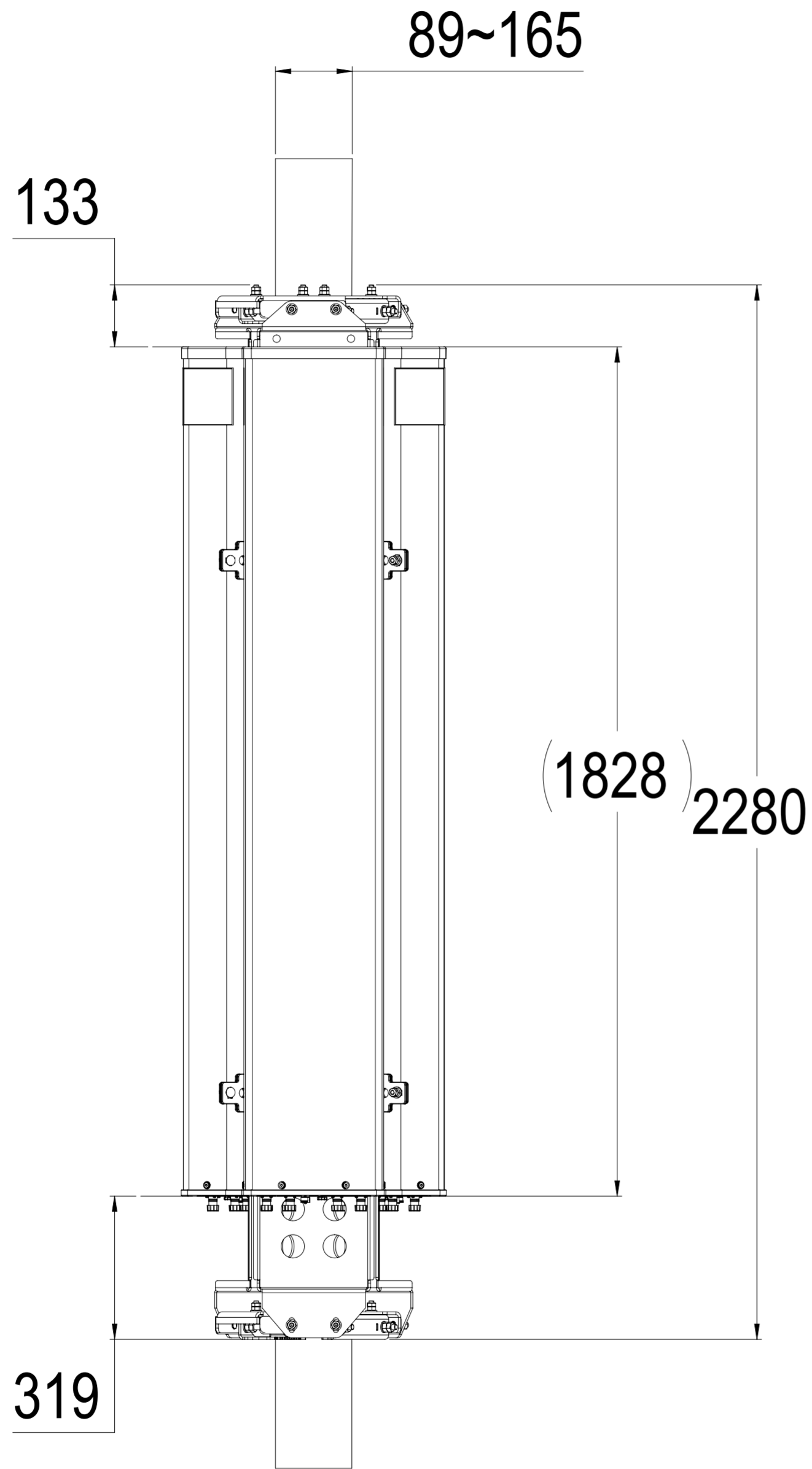


REVISIONS			
REV.	DESCRIPTION	DATE	APPROVED
A	ECR 15045PC: REL TO PRODUCTION PER EAO 609955.	03NOV21 ZZH	YXW/GPF



COMMSCOPE, INC. OF NORTH CAROLINA											
TOLERANCES						SAP MATERIAL MASTER					
0 PLACE X ±			2 PLACE .XX ±			1 PLACE .X ±			ANGLES ±		
FINISH						MATERIAL					
PRODUCT DRAWING											
UNLESS OTHERWISE SPECIFIED DIMENSIONS ARE IN MILLIMETERS INTERPRET PER ISO STANDARDS HANDBOOK TECHNICAL DRAWINGS VOLUMES 1 & 2, THIRD EDITION (2002)	NAME	DATE	TITLE								
	CE ZZ1029	11/03/2021	FVV-65B-3XKIT-L								
	RW YZHAI1	11/28/2021									
	AD XY1021	12/07/2021									
	RE XK1001	12/07/2021									
ECN 15045PC											
SCALE		DOCUMENT NO.									
1:10		FVV-65B-3XKIT-L									
SIZE	Auth Group	BSA	MODEL			DRAWING			SHEET		
A2			VERSION	STATUS	REVISION	VERSION	STATUS	REVISION	1 OF 1		
			00	RE	A	00	RE	A			

DENSITY	g/mm ³
MASS	grams
VOLUME	mm ³
SURFACE AREA	mm ²