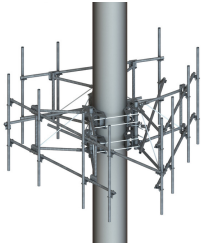


# MCG22-14M-12-96



G22 High Capacity 3-Sector Monopole Frame, 14 ft 6 in face, includes twelve 96 in pipes; For patents, see [www.cs-pat.com](http://www.cs-pat.com).

## OBSOLETE

This product was discontinued on: July 29, 2022

### Replaced By:

MCG22HDX-14M-12-96 G22HDX High Capacity 3-Sector Monopole Frame with 2 7/8in OD x 14.5ft face. Includes twelve 2 7/8in OD x 96in antenna pipes

## Product Classification

**Product Type** High capacity monopole sector frame

## General Specifications

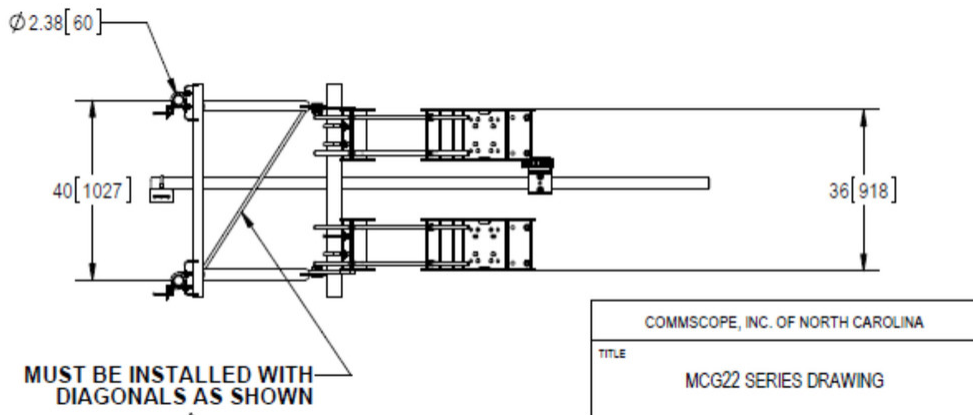
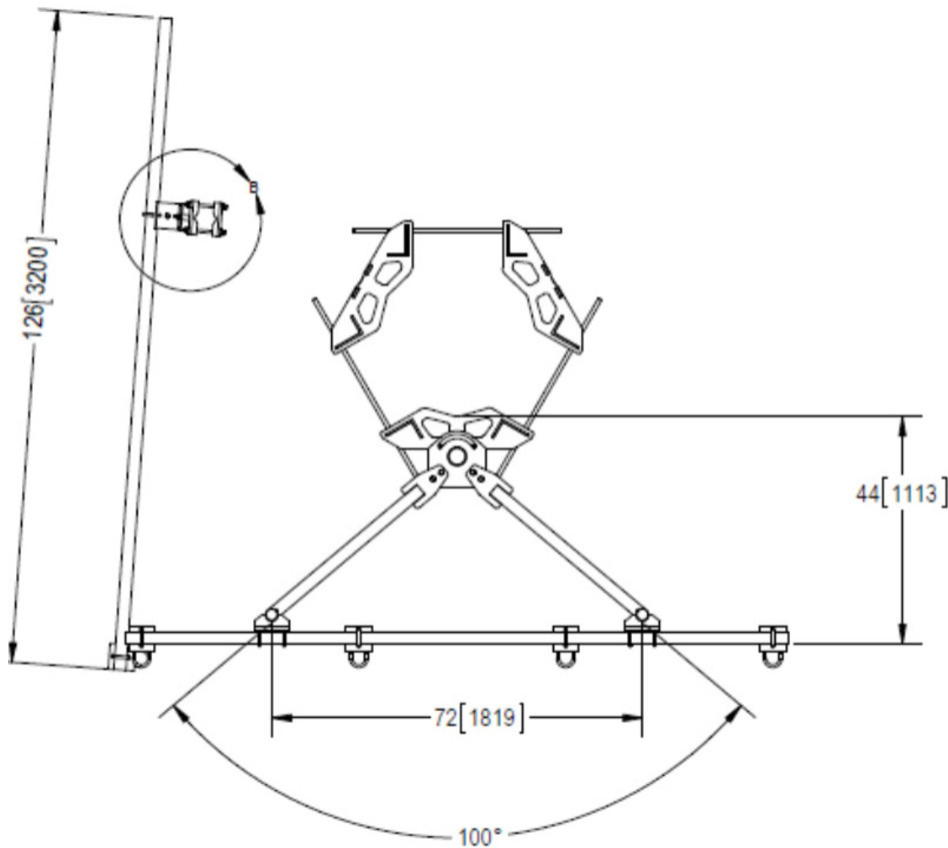
**Mounting** Monopole, 381–1270 mm (15–50 in) OD  
**Pipe, quantity** 12  
**Sectors, quantity** 3

## Dimensions

**Height** 2,438.4 mm | 96 in  
**Face Width** 4.42 m | 14.5 ft  
**Width** 4,419.6 mm | 174 in  
**Pipe Length** 2,438.4 mm | 96 in  
**Face Support Pipe Diameter** 60.325 mm | 2.375 in  
**Mounting Diameter, maximum** 1270 mm | 50 in  
**Mounting Diameter, minimum** 381 mm | 15 in  
**Pipe Outer Diameter** 60.325 mm | 2.375 in  
**Stand-off Distance** 1,117.6 mm | 44 in

## Outline Drawing

# MCG22-14M-12-96



## Material Specifications

### Material Type

Hot dip galvanized steel

## Mechanical Specifications

### Load Capacity

With additional stiff arm at 300 ft AGL: 600 lb per pipe w/out ice / 1275 lb per pipe including ice

# MCG22-14M-12-96

---

<b>Wind Rating</b>	For Specifications, please contact your local ANDREW representative
<b>Wind Rating Test Method</b>	TIA/EIA-222
<b>Wind Rating with Additional Stiff Arm</b>	300 ft AGL: 120 mph (BWS) without ice /60 mph with ice

## Packaging and Weights

<b>Included</b>	Pipe mounts   Plain end pipes (12)   Ring mounts (2)   Sector frames (3)   Stiff arm
<b>Packaging quantity</b>	1
<b>Weight, net</b>	935.307 kg   2062 lb

## Regulatory Compliance/Certifications

<b>Agency</b>	<b>Classification</b>
CHINA-ROHS	Above maximum concentration value
ISO 9001:2015	Designed, manufactured and/or distributed under this quality management system
ROHS	Compliant/Exempted
UK-ROHS	Compliant/Exempted



## \* Footnotes

<b>Wind Rating</b>	BWS—Base Wind Speed; FBC—Florida Building Code
<b>Wind Rating with Additional Stiff Arm</b>	BWS—Base Wind Speed; FBC—Florida Building Code