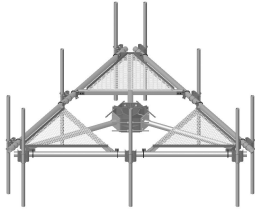


# MC-PK14S-9-126



Low-Profile Co-location Platform Kit, 14 ft face, 10 in to 30 in OD, includes pipe

## OBSOLETE

This product was discontinued on: August 18, 2022

### Replaced By:

MC-PK14M-12-126 Low-Profile Co-location Platform Kit, 14 ft face, 12 in to 50 in OD, includes pipe

## Product Classification

**Product Type** Monopole platform kit

## General Specifications

**Mounting** Monopole, 254–762 mm (10–30 in) OD

**Pipe, quantity** 9

**Sectors, quantity** 3

## Dimensions

**Height** 3,200.4 mm | 126 in

**Face Width** 4.42 m | 14.5 ft

**Width** 4,419.6 mm | 174 in

**Length** 914.4 mm | 36 in

**Pipe Length** 3,200.4 mm | 126 in

**Face Support Pipe Diameter** 88.9 mm | 3.5 in

**Mounting Diameter, maximum** 762 mm | 30 in

**Mounting Diameter, minimum** 254 mm | 10 in

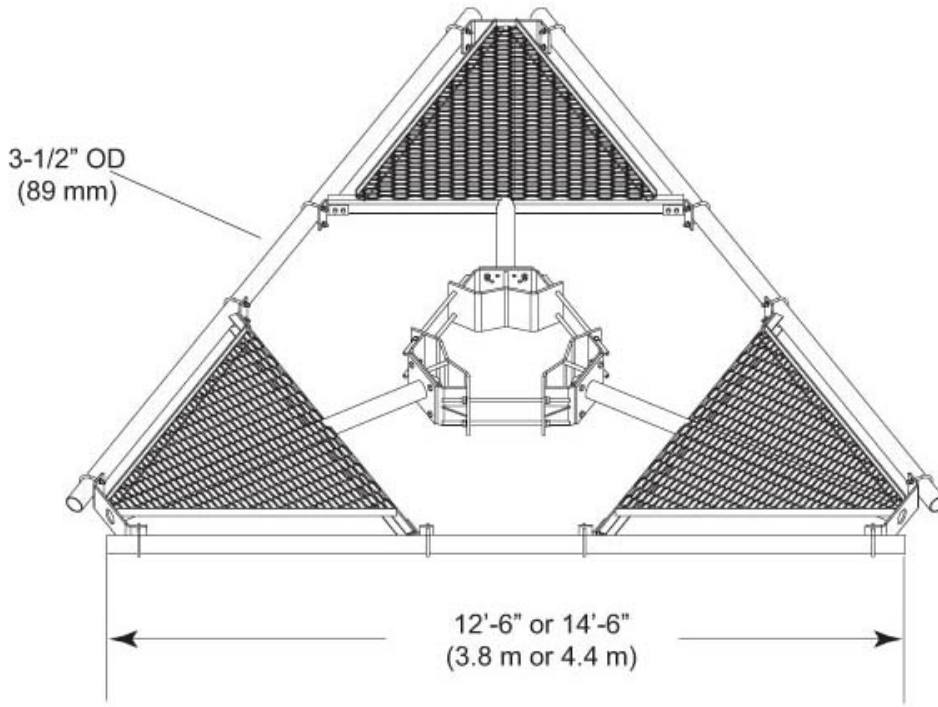
**Pipe Outer Diameter** 60.325 mm | 2.375 in

**Mounting Circumference, maximum** 2,392.68 mm | 94.2 in

**Mounting Circumference, minimum** 797.56 mm | 31.4 in

# MC-PK14S-9-126

## Outline Drawing



## Material Specifications

**Material Type** Hot dip galvanized steel

## Mechanical Specifications

**Wind Rating** 120 mph (BWS) at 150 ft AGL | 140 mph (3-second gust) at 150 ft AGL using Exposure D per FBC

**Wind Rating Criteria** Four 72 in x 8 in panel antennas per sector

**Wind Rating Test Method** TIA/EIA-222

## Environmental Specifications

**EPA with 1/2 in (12 mm) radial ice** 1.217 m<sup>2</sup> | 13.1 ft<sup>2</sup>

**EPA without ice** 0.948 m<sup>2</sup> | 10.2 ft<sup>2</sup>

## Packaging and Weights

**Included** Pipe mounts | Platform | Ring mount

# MC-PK14S-9-126

---

**Packaging quantity** 1  
**Weight, net** 754.188 kg | 1,662.7 lb

## Regulatory Compliance/Certifications

Agency	Classification
ISO 9001:2015	Designed, manufactured and/or distributed under this quality management system



## Included Products

- |            |   |  |
|------------|---|--|
| MC-PK14M-B | - | Low-Profile Co-location Platform Kit, 14 ft face, 12 in to 50 in OD, pipe ordered separately |
| MC-PK14S-B | - | Low-Profile Co-location Platform Kit, 14 ft face, 10 in to 30 in OD, pipe ordered separately |
| MT-219-H   | - | Pipe Mount Kit - 2-3/8" TO 3-1/2" PIPE - pipe not included                                   |
| MT-537     | - | Plain End Pipe, 2-3/8 in OD x 126 in .120" A500C 46Ksi                                       |

## \* Footnotes

<b>Wind Rating</b>	BWS—Base Wind Speed; FBC—Florida Building Code
<b>EPA with 1/2 in (12 mm) radial ice</b>	EPA—Effective Projected Area
<b>EPA without ice</b>	EPA—Effective Projected Area

# MC-PK14M-B

---



Low-Profile Co-location Platform Kit, 14 ft face, 12 in to 50 in OD, pipe ordered separately

## Product Classification

**Product Type** Monopole platform kit

## General Specifications

**Mounting** Monopole, 304.8–1270 mm (12–50 in) OD

**Pipe, quantity** 0

**Sectors, quantity** 3

## Dimensions

**Height** 254 mm | 10 in

**Face Width** 4.42 m | 14.5 ft

**Width** 4,419.6 mm | 174 in

**Length** 914.4 mm | 36 in

**Face Support Pipe Diameter** 88.9 mm | 3.5 in

**Mounting Diameter, maximum** 1270 mm | 50 in

**Mounting Diameter, minimum** 304.8 mm | 12 in

**Pipe Outer Diameter** 0 mm | 0 in

## Material Specifications

**Material Type** Hot dip galvanized steel

## Mechanical Specifications

**Wind Rating** 120 mph (BWS) at 150 ft AGL | 140 mph (3-second gust) at 150 ft AGL using Exposure D per FBC

**Wind Rating Criteria** Four 72 in x 8 in panel antennas per sector

**Wind Rating Test Method** TIA/EIA-222

# MC-PK14M-B

---

## Environmental Specifications

<b>EPA with 1/2 in (12 mm) radial ice</b>	1.217 m <sup>2</sup>   13.1 ft <sup>2</sup>
<b>EPA without ice</b>	0.948 m <sup>2</sup>   10.2 ft <sup>2</sup>

## Packaging and Weights

<b>Included</b>	Pipe mounts   Platform   Ring mount
<b>Packaging quantity</b>	1
<b>Weight, net</b>	548.847 kg   1210 lb

## Regulatory Compliance/Certifications

<b>Agency</b>	<b>Classification</b>
ISO 9001:2015	Designed, manufactured and/or distributed under this quality management system

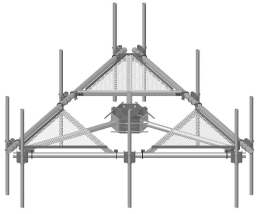


## \* Footnotes

<b>Wind Rating</b>	BWS—Base Wind Speed; FBC—Florida Building Code
<b>EPA with 1/2 in (12 mm) radial ice</b>	EPA—Effective Projected Area
<b>EPA without ice</b>	EPA—Effective Projected Area

# MC-PK14S-B

---



Low-Profile Co-location Platform Kit, 14 ft face, 10 in to 30 in OD, pipe ordered separately

## Product Classification

**Product Type** Monopole platform kit

## General Specifications

**Mounting** Monopole, 254–762 mm (10–30 in) OD

**Pipe, quantity** 0

**Sectors, quantity** 3

## Dimensions

**Height** 254 mm | 10 in

**Face Width** 4.42 m | 14.5 ft

**Width** 4,419.6 mm | 174 in

**Length** 914.4 mm | 36 in

**Face Support Pipe Diameter** 88.9 mm | 3.5 in

**Mounting Diameter, maximum** 762 mm | 30 in

**Mounting Diameter, minimum** 254 mm | 10 in

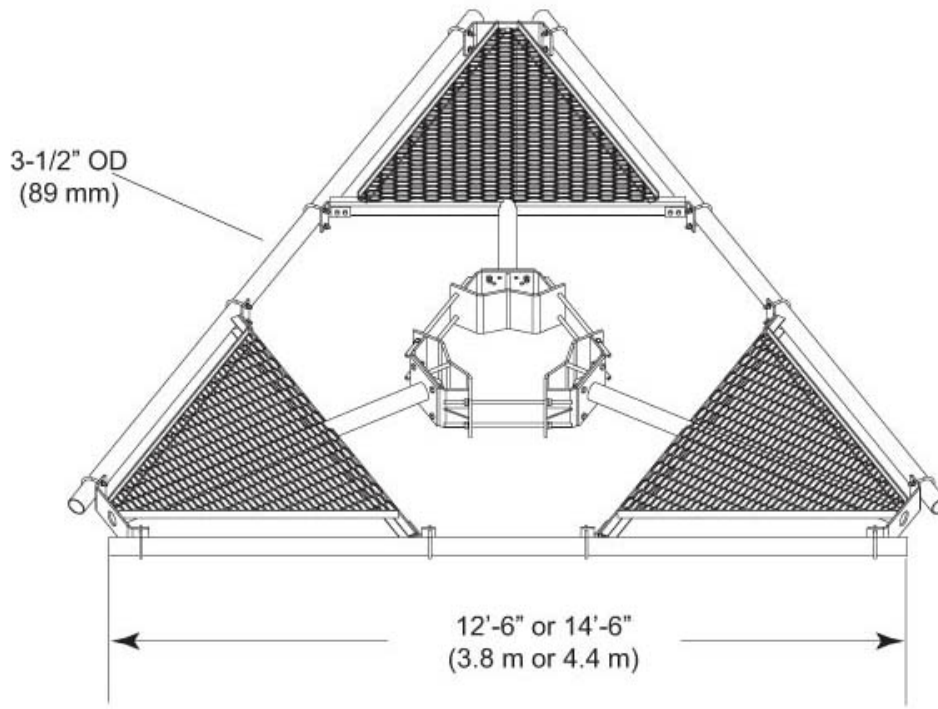
**Pipe Outer Diameter** 0 mm | 0 in

**Mounting Circumference, maximum** 2,392.68 mm | 94.2 in

**Mounting Circumference, minimum** 797.56 mm | 31.4 in

# MC-PK14S-B

## Outline Drawing



## Material Specifications

**Material Type** Hot dip galvanized steel

## Mechanical Specifications

**Wind Rating** 120 mph (BWS) at 150 ft AGL | 140 mph (3-second gust) at 150 ft AGL using Exposure D per FBC

**Wind Rating Criteria** Four 72 in x 8 in panel antennas per sector

**Wind Rating Test Method** TIA/EIA-222

## Environmental Specifications

**EPA with 1/2 in (12 mm) radial ice** 1.217 m<sup>2</sup> | 13.1 ft<sup>2</sup>

**EPA without ice** 0.948 m<sup>2</sup> | 10.2 ft<sup>2</sup>

## Packaging and Weights

**Included** Pipe mounts | Platform | Ring mount

# MC-PK14S-B

---

**Packaging quantity** 1  
**Weight, net** 554.88 kg | 1,223.3 lb

## Regulatory Compliance/Certifications

<b>Agency</b>	<b>Classification</b>
ISO 9001:2015	Designed, manufactured and/or distributed under this quality management system

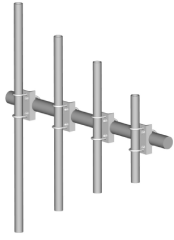


## \* Footnotes

<b>Wind Rating</b>	BWS—Base Wind Speed; FBC—Florida Building Code
<b>EPA with 1/2 in (12 mm) radial ice</b>	EPA—Effective Projected Area
<b>EPA without ice</b>	EPA—Effective Projected Area



# MT-219-H



Pipe Mount Kit - 2-3/8" TO 3-1/2" PIPE - pipe not included

## Product Classification

**Product Type** Pipe mount kit

## General Specifications

**Mounting** Pipe, 60.3 mm (2-3/8 in ) OD | Pipe, 88.9 mm (3-1/2 in) OD

## Dimensions

**Height** 254 mm | 10 in

**Width** 127 mm | 5 in

**Length** 127 mm | 5 in

**Mounting Diameter, maximum** 88.9 mm | 3.5 in

**Mounting Diameter, minimum** 60.325 mm | 2.375 in

## Material Specifications

**Material Type** Hot dip galvanized steel

## Packaging and Weights

**Included** Crossover bracket | U-bolts

**Packaging quantity** 1

**Weight, net** 4.9 kg | 10.803 lb

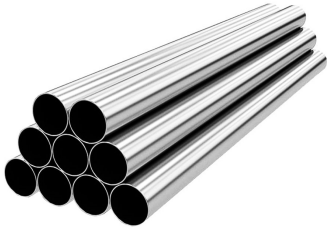
## Regulatory Compliance/Certifications

Agency	Classification
ISO 9001:2015	Designed, manufactured and/or distributed under this quality management system
REACH-SVHC	Compliant as per SVHC revision on <a href="https://www.commscope.com/ProductCompliance">www.commscope.com/ProductCompliance</a>
ROHS	Compliant
UK-ROHS	Compliant



# MT-537

---



Plain End Pipe, 2-3/8 in OD x 126 in .120" A500C 46Ksi

A500 46 ksi steel

## Product Classification

**Product Type** Plain end pipe

## General Specifications

**Pipe, quantity** 1

## Dimensions

**Height** 60.96 mm | 2.4 in

**Width** 60.96 mm | 2.4 in

**Length** 3,200.4 mm | 126 in

**Pipe Length** 3,200.4 mm | 126 in

**Pipe Outer Diameter** 60.96 mm | 2.4 in

**Material Thickness** 3.048 mm | 0.12 in

## Material Specifications

**Material Type** A500 | Hot dip galvanized steel

**Material Grade** C

**Material Strength** 46 KSI

## Packaging and Weights

**Included** Pipe

**Packaging quantity** 1

**Weight, net** 18 kg | 39.683 lb

## Regulatory Compliance/Certifications

### Agency

CHINA-ROHS

ISO 9001:2015

### Classification

Below maximum concentration value

Designed, manufactured and/or distributed under this quality management system

# MT-537

---

REACH-SVHC

Compliant as per SVHC revision on [www.commscope.com/ProductCompliance](http://www.commscope.com/ProductCompliance)

ROHS

Compliant

UK-ROHS

Compliant

