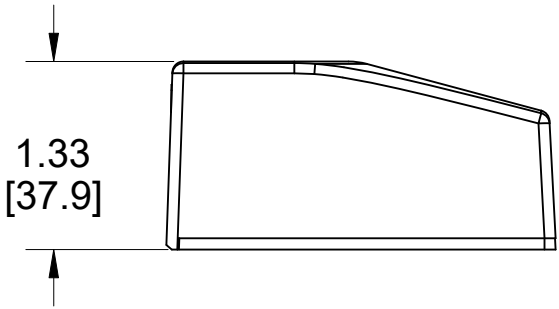
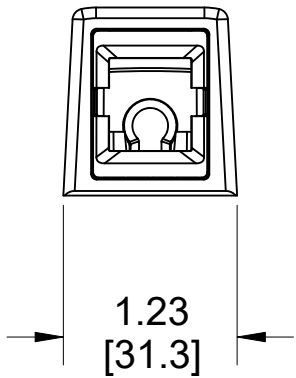
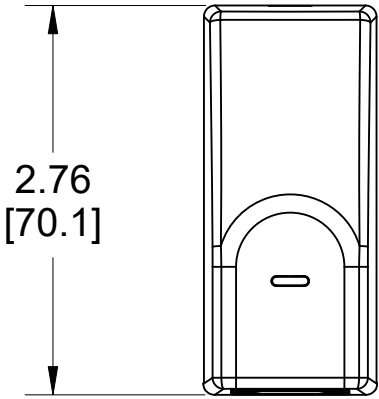


MATERIAL ID	DESCRIPTION
760254556	SMB-1P-448-PLENUM

NOTES:

1. SEE COMMSCOPE CATALOG FOR PART NUMBER SUFFIXES TO INDICATE COLOR/PKG.
2. SEE COMMSCOPE CATALOG FOR COMPLETE LIST OF PARTS RELATED TO THE USE OF THIS PRODUCT.
3. DIMENSIONS IN PARENTHESES ARE IN METRIC[MM].
4. PART INCLUDES:
 - (1) 1 PORT BASE FOR SMB, LT.ALMOND
 - (1) 1 PORT COVER FOR SMB, LT.ALMOND
 - (2) TAPE



SMB-1P-448-PLENUM	
COMMSCOPE, INC OF NORTH CAROLINA	
DRAWN BY JW	
DATE 09/01/2022	DWG NO 760254556

REV	DATE	ECR	DESCRIPTION	APPROVED BY
1	09/01/22		INITIAL ISSUE	FW