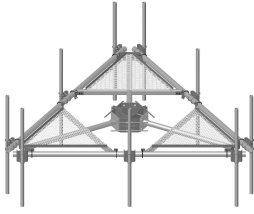


MC-PK14S-12-126



Low-Profile Co-location Platform Kit, 14 ft face, 10 in to 30 in OD, includes pipe

OBSOLETE

This product was discontinued on: August 18, 2022

Replaced By:

MC-PK14M-12-126 Low-Profile Co-location Platform Kit, 14 ft face, 12 in to 50 in OD, includes pipe

Product Classification

Product Type Monopole platform kit

General Specifications

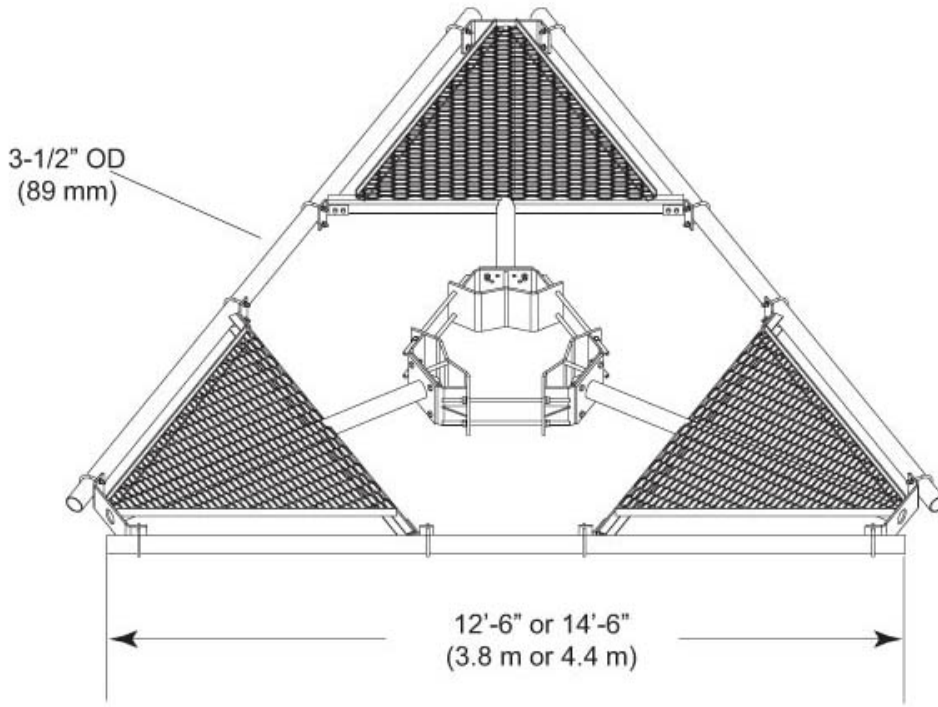
Mounting Monopole, 254–762 mm (10–30 in) OD
Pipe, quantity 12
Sectors, quantity 3

Dimensions

Height 3,200.4 mm | 126 in
Face Width 4.42 m | 14.5 ft
Width 4,419.6 mm | 174 in
Length 914.4 mm | 36 in
Pipe Length 3,200.4 mm | 126 in
Face Support Pipe Diameter 88.9 mm | 3.5 in
Mounting Diameter, maximum 762 mm | 30 in
Mounting Diameter, minimum 254 mm | 10 in
Pipe Outer Diameter 60.325 mm | 2.375 in
Mounting Circumference, maximum 2,392.68 mm | 94.2 in
Mounting Circumference, minimum 797.56 mm | 31.4 in

MC-PK14S-12-126

Outline Drawing



Material Specifications

Material Type Hot dip galvanized steel

Mechanical Specifications

Wind Rating 120 mph (BWS) at 150 ft AGL | 140 mph (3-second gust) at 150 ft AGL using Exposure D per FBC

Wind Rating Criteria Four 72 in x 8 in panel antennas per sector

Wind Rating Test Method TIA/EIA-222

Environmental Specifications

EPA with 1/2 in (12 mm) radial ice 1.217 m² | 13.1 ft²

EPA without ice 0.948 m² | 10.2 ft²

Packaging and Weights

Included Pipe mounts | Platform | Ring mount

MC-PK14S-12-126

Packaging quantity 1
Weight, net 820.594 kg | 1,809.1 lb

Regulatory Compliance/Certifications

Agency	Classification
ISO 9001:2015	Designed, manufactured and/or distributed under this quality management system



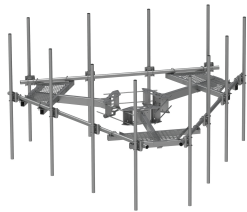
Included Products

- | | | |
|------------|---|--|
| MC-PK14M-B | - | Low-Profile Co-location Platform Kit, 14 ft face, 12 in to 50 in OD, pipe ordered separately |
| MC-PK14S-B | - | Low-Profile Co-location Platform Kit, 14 ft face, 10 in to 30 in OD, pipe ordered separately |
| MT-219-H | - | Pipe Mount Kit - 2-3/8" TO 3-1/2" PIPE - pipe not included |
| MT-537 | - | Plain End Pipe, 2-3/8 in OD x 126 in .120" A500C 46Ksi |

* Footnotes

Wind Rating	BWS—Base Wind Speed; FBC—Florida Building Code
EPA with 1/2 in (12 mm) radial ice	EPA—Effective Projected Area
EPA without ice	EPA—Effective Projected Area

MC-PK14M-B



Low-Profile Co-location Platform Kit, 14 ft face, 12 in to 50 in OD, pipe ordered separately

Product Classification

Product Type Monopole platform kit

General Specifications

Mounting Monopole, 304.8–1270 mm (12–50 in) OD

Pipe, quantity 0

Sectors, quantity 3

Dimensions

Height 254 mm | 10 in

Face Width 4.42 m | 14.5 ft

Width 4,419.6 mm | 174 in

Length 914.4 mm | 36 in

Face Support Pipe Diameter 88.9 mm | 3.5 in

Mounting Diameter, maximum 1270 mm | 50 in

Mounting Diameter, minimum 304.8 mm | 12 in

Pipe Outer Diameter 0 mm | 0 in

Material Specifications

Material Type Hot dip galvanized steel

Mechanical Specifications

Wind Rating 120 mph (BWS) at 150 ft AGL | 140 mph (3-second gust) at 150 ft AGL using Exposure D per FBC

Wind Rating Criteria Four 72 in x 8 in panel antennas per sector

Wind Rating Test Method TIA/EIA-222

MC-PK14M-B

Environmental Specifications

EPA with 1/2 in (12 mm) radial ice	1.217 m ² 13.1 ft ²
EPA without ice	0.948 m ² 10.2 ft ²

Packaging and Weights

Included	Pipe mounts Platform Ring mount
Packaging quantity	1
Weight, net	548.847 kg 1210 lb

Regulatory Compliance/Certifications

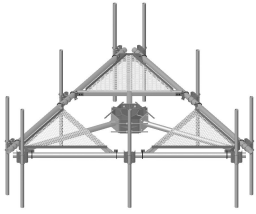
Agency	Classification
ISO 9001:2015	Designed, manufactured and/or distributed under this quality management system



* Footnotes

Wind Rating	BWS—Base Wind Speed; FBC—Florida Building Code
EPA with 1/2 in (12 mm) radial ice	EPA—Effective Projected Area
EPA without ice	EPA—Effective Projected Area

MC-PK14S-B



Low-Profile Co-location Platform Kit, 14 ft face, 10 in to 30 in OD, pipe ordered separately

Product Classification

Product Type Monopole platform kit

General Specifications

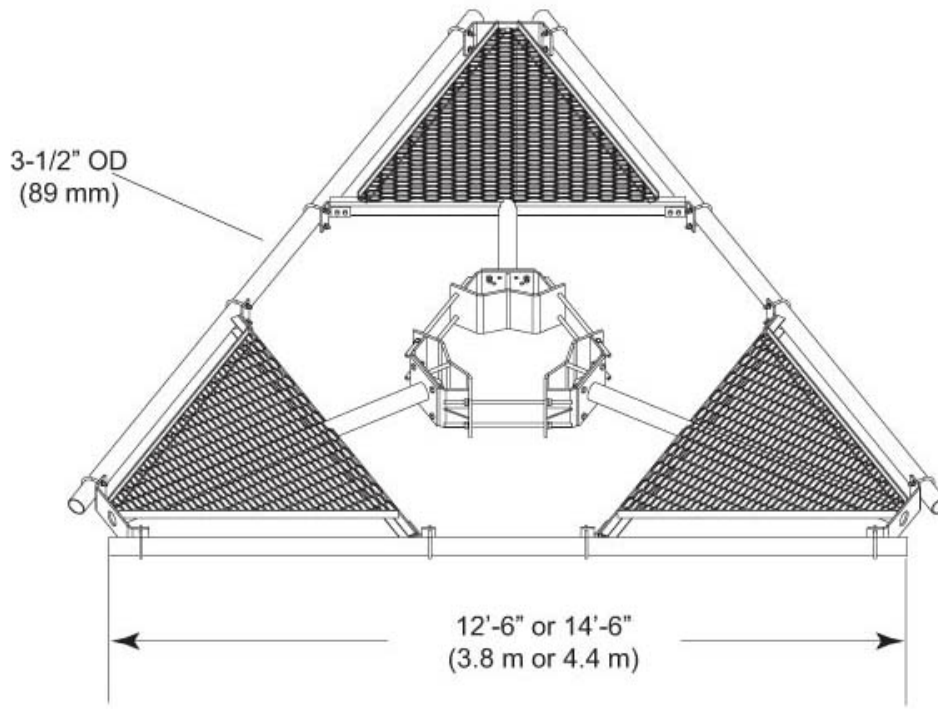
Mounting Monopole, 254–762 mm (10–30 in) OD
Pipe, quantity 0
Sectors, quantity 3

Dimensions

Height 254 mm | 10 in
Face Width 4.42 m | 14.5 ft
Width 4,419.6 mm | 174 in
Length 914.4 mm | 36 in
Face Support Pipe Diameter 88.9 mm | 3.5 in
Mounting Diameter, maximum 762 mm | 30 in
Mounting Diameter, minimum 254 mm | 10 in
Pipe Outer Diameter 0 mm | 0 in
Mounting Circumference, maximum 2,392.68 mm | 94.2 in
Mounting Circumference, minimum 797.56 mm | 31.4 in

MC-PK14S-B

Outline Drawing



Material Specifications

Material Type Hot dip galvanized steel

Mechanical Specifications

Wind Rating 120 mph (BWS) at 150 ft AGL | 140 mph (3-second gust) at 150 ft AGL using Exposure D per FBC

Wind Rating Criteria Four 72 in x 8 in panel antennas per sector

Wind Rating Test Method TIA/EIA-222

Environmental Specifications

EPA with 1/2 in (12 mm) radial ice 1.217 m² | 13.1 ft²

EPA without ice 0.948 m² | 10.2 ft²

Packaging and Weights

Included Pipe mounts | Platform | Ring mount

MC-PK14S-B

Packaging quantity 1
Weight, net 554.88 kg | 1,223.3 lb

Regulatory Compliance/Certifications

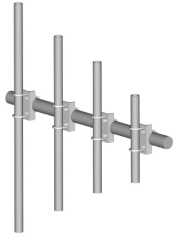
Agency	Classification
ISO 9001:2015	Designed, manufactured and/or distributed under this quality management system



* Footnotes

Wind Rating	BWS—Base Wind Speed; FBC—Florida Building Code
EPA with 1/2 in (12 mm) radial ice	EPA—Effective Projected Area
EPA without ice	EPA—Effective Projected Area

MT-219-H



Pipe Mount Kit - 2-3/8" TO 3-1/2" PIPE - pipe not included

Product Classification

Product Type Pipe mount kit

General Specifications

Mounting Pipe, 60.3 mm (2-3/8 in) OD | Pipe, 88.9 mm (3-1/2 in) OD

Dimensions

Height 254 mm | 10 in

Width 127 mm | 5 in

Length 127 mm | 5 in

Mounting Diameter, maximum 88.9 mm | 3.5 in

Mounting Diameter, minimum 60.325 mm | 2.375 in

Material Specifications

Material Type Hot dip galvanized steel

Packaging and Weights

Included Crossover bracket | U-bolts

Packaging quantity 1

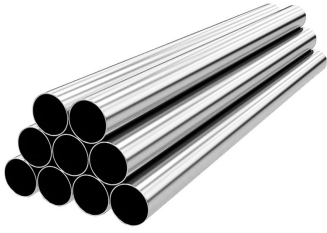
Weight, net 4.9 kg | 10.803 lb

Regulatory Compliance/Certifications

Agency	Classification
ISO 9001:2015	Designed, manufactured and/or distributed under this quality management system
REACH-SVHC	Compliant as per SVHC revision on www.commscope.com/ProductCompliance
ROHS	Compliant
UK-ROHS	Compliant



MT-537



Plain End Pipe, 2-3/8 in OD x 126 in .120" A500C 46Ksi

A500 46 ksi steel

Product Classification

Product Type Plain end pipe

General Specifications

Pipe, quantity 1

Dimensions

Height 60.96 mm | 2.4 in

Width 60.96 mm | 2.4 in

Length 3,200.4 mm | 126 in

Pipe Length 3,200.4 mm | 126 in

Pipe Outer Diameter 60.96 mm | 2.4 in

Material Thickness 3.048 mm | 0.12 in

Material Specifications

Material Type A500 | Hot dip galvanized steel

Material Grade C

Material Strength 46 KSI

Packaging and Weights

Included Pipe

Packaging quantity 1

Weight, net 18 kg | 39.683 lb

Regulatory Compliance/Certifications

Agency

CHINA-ROHS

ISO 9001:2015

Classification

Below maximum concentration value

Designed, manufactured and/or distributed under this quality management system

MT-537

REACH-SVHC

Compliant as per SVHC revision on www.commscope.com/ProductCompliance

ROHS

Compliant

UK-ROHS

Compliant

