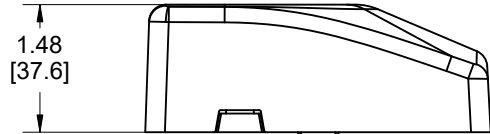
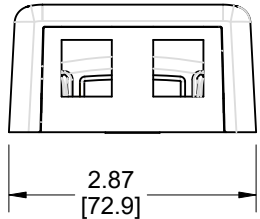
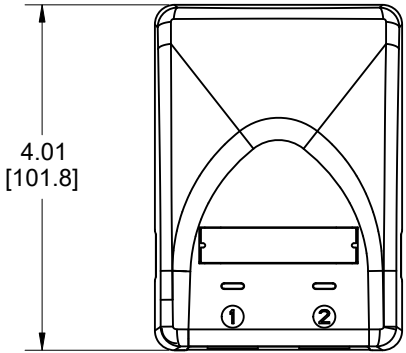


MATERIAL ID	DESCRIPTION
760253651	SMB-2P-KJ-266



NOTES:

- SEE COMMSCOPE CATALOG FOR PART NUMBER SUFFIXES TO INDICATE COLOR/PKG.
- SEE COMMSCOPE CATALOG FOR COMPLETE LIST OF PARTS RELATED TO THE USE OF THIS PRODUCT.
- DIMENSIONS IN PARENTHESES ARE IN METRIC[MM].
- PART INCLUDES:
  - (1) 2 PORT BASE FOR SMB, PRO WHITE
  - (1) 2 PORT COVER FOR SMB, PRO WHITE
  - (3) TAPE
  - (2) SCREW #6 X 1.00" LG
  - (1) SCREW 6-32 X .50" LG

SMB-2P-KJ-266	
<b>COMMSCOPE, INC</b> OF NORTH CAROLINA	
DRAWN BY JW	DWG NO 760253651
DATE 10/10/2022	

REV	DATE	ECR	DESCRIPTION	APPROVED BY
1	10/10/22		INITIAL ISSUE	AW