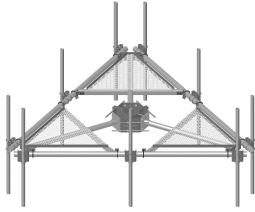


MC-PK14L-B



Low-Profile Co-location Platform Kit, 14 ft face, 30 in to 60 in OD, pipe ordered separately

OBSOLETE

This product was discontinued on: August 18, 2022

Replaced By:

MC-PK14M-B

Low-Profile Co-location Platform Kit, 14 ft face, 12 in to 50 in OD, pipe ordered separately

Product Classification

Product Type Monopole platform kit

General Specifications

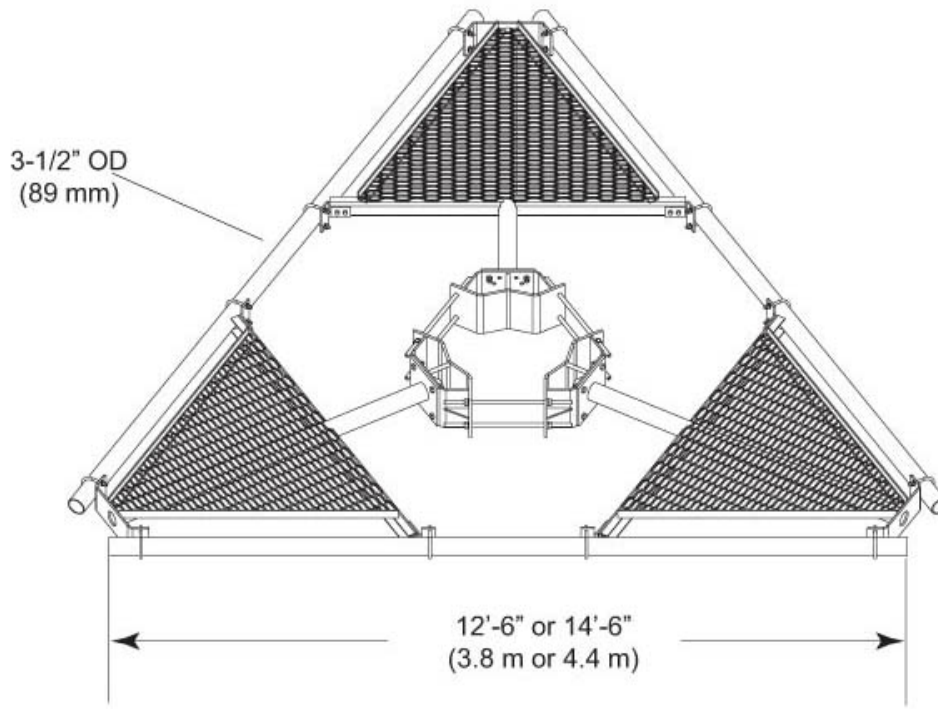
Mounting Monopole, 762–1524 mm (30–60 in) OD
Pipe, quantity 0
Sectors, quantity 3

Dimensions

Height 254 mm | 10 in
Face Width 4.42 m | 14.5 ft
Width 4,419.6 mm | 174 in
Length 914.4 mm | 36 in
Face Support Pipe Diameter 88.9 mm | 3.5 in
Mounting Diameter, maximum 1524 mm | 60 in
Mounting Diameter, minimum 762 mm | 30 in
Pipe Outer Diameter 0 mm | 0 in
Mounting Circumference, maximum 4,785.36 mm | 188.4 in
Mounting Circumference, minimum 2,392.68 mm | 94.2 in

MC-PK14L-B

Outline Drawing



Material Specifications

Material Type Hot dip galvanized steel

Mechanical Specifications

Wind Rating 120 mph (BWS) at 150 ft AGL | 140 mph (3-second gust) at 150 ft AGL using Exposure D per FBC

Wind Rating Test Method TIA/EIA-222

Environmental Specifications

EPA with 1/2 in (12 mm) radial ice 1.217 m² | 13.1 ft²

EPA without ice 0.948 m² | 10.2 ft²

Packaging and Weights

Included Pipe mounts | Platform | Ring mount

Packaging quantity 1

MC-PK14L-B

Weight, net

684.879 kg | 1,509.9 lb

Regulatory Compliance/Certifications

Agency

Classification

ISO 9001:2015

Designed, manufactured and/or distributed under this quality management system



Included Products

- | | | |
|-------------|---|--|
| MC-RM3060-3 | - | Universal Ring Mount, 30 in to 60 in OD |
| MT-196-14L | - | Low Profile Co-location Large Base Platform, 14 ft face. Ring Mount & Antenna Pipes Sold Separately. |

* Footnotes

Wind Rating

BWS—Base Wind Speed; FBC—Florida Building Code

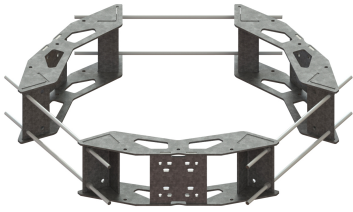
EPA with 1/2 in (12 mm) radial ice

EPA—Effective Projected Area

EPA without ice

EPA—Effective Projected Area

MC-RM3060-3



Universal Ring Mount, 30 in to 60 in OD

Product Classification

Product Type Universal ring mount

General Specifications

Mounting Monopole, 762–1524 mm (30–60 in) OD

Pipe, quantity 0

Sectors, quantity 3

Dimensions

Height 254 mm | 10 in

Length 152.4 mm | 6 in

Mounting Diameter, maximum 1524 mm | 60 in

Mounting Diameter, minimum 762 mm | 30 in

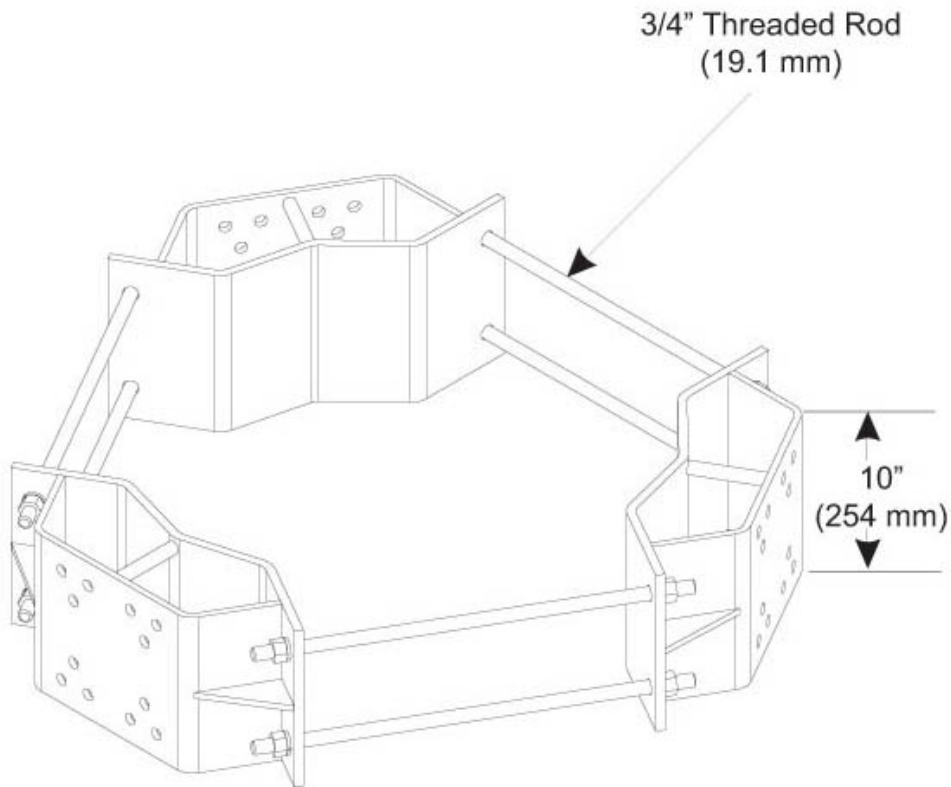
Pipe Outer Diameter 0 mm | 0 in

Mounting Circumference, maximum 4,785.36 mm | 188.4 in

Mounting Circumference, minimum 2,392.68 mm | 94.2 in

MC-RM3060-3

Outline Drawing



Material Specifications

Material Type Hot dip galvanized steel

Mechanical Specifications

Wind Rating 140 mph (BWS) at 150 ft AGL | 160 mph (3-second gust) at 150 ft AGL using Exposure D per FBC

Wind Rating Criteria Four 72 in x 8 in panel antennas per sector

Wind Rating Test Method TIA/EIA-222

Packaging and Weights

Included Mount | Threaded rod

Packaging quantity 1

Weight, net 140.614 kg | 310 lb

MC-RM3060-3

Regulatory Compliance/Certifications

Agency

ISO 9001:2015



Classification

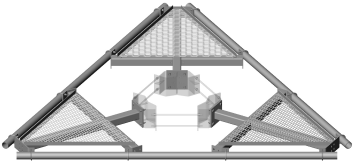
Designed, manufactured and/or distributed under this quality management system

* Footnotes

Wind Rating

BWS—Base Wind Speed; FBC—Florida Building Code

MT-196-14L



Low Profile Co-location Large Base Platform, 14 ft face. Ring Mount & Antenna Pipes Sold Separately.

Product Classification

Product Type Monopole platform kit

General Specifications

Mounting Ring mount

Sectors, quantity 3

Dimensions

Height 254 mm | 10 in

Face Width 4.42 m | 14.5 ft

Width 4,419.6 mm | 174 in

Length 914.4 mm | 36 in

Pipe Length 0 mm | 0 in

Face Support Pipe Diameter 88.9 mm | 3.5 in

Mounting Diameter, maximum 1524 mm | 60 in

Mounting Diameter, minimum 762 mm | 30 in

Material Specifications

Material Type Hot dip galvanized steel

Mechanical Specifications

Wind Rating 120 mph (BWS) at 150 ft AGL | 140 mph (3-second gust) at 150 ft AGL using Exposure D per FBC

Wind Rating Criteria Four 72 in x 8 in panel antennas per sector

Wind Rating Test Method TIA/EIA-222

Environmental Specifications

EPA with 1/2 in (12 mm) radial ice 1.217 m² | 13.1 ft²

MT-196-14L

EPA without ice 0.948 m² | 10.2 ft²

Packaging and Weights

Included Platform

Packaging quantity 1

Weight, net 581.006 kg | 1,280.9 lb

Regulatory Compliance/Certifications

Agency

ISO 9001:2015



Classification

Designed, manufactured and/or distributed under this quality management system

* Footnotes

Wind Rating BWS—Base Wind Speed; FBC—Florida Building Code

EPA with 1/2 in (12 mm) radial ice EPA—Effective Projected Area

EPA without ice EPA—Effective Projected Area