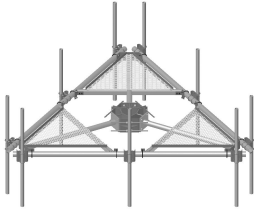


# MC-PK12S-9-72



Low-Profile Co-location Platform Kit, 12 ft face, 10 in to 30 in OD, includes pipe

## OBSOLETE

This product was discontinued on: August 18, 2022

### Replaced By:

MC-PK12M-12-96

Low-Profile Co-location Platform Kit, 12 ft face, 12 in to 50 in OD, includes twelve 96 in pipes

## Product Classification

**Product Type** Monopole platform kit

## General Specifications

**Mounting** Monopole, 254–762 mm (10–30 in) OD

**Pipe, quantity** 9

**Sectors, quantity** 3

## Dimensions

**Height** 1,828.8 mm | 72 in

**Face Width** 3.81 m | 12.5 ft

**Width** 3810 mm | 150 in

**Length** 914.4 mm | 36 in

**Pipe Length** 1,828.8 mm | 72 in

**Face Support Pipe Diameter** 88.9 mm | 3.5 in

**Mounting Diameter, maximum** 762 mm | 30 in

**Mounting Diameter, minimum** 254 mm | 10 in

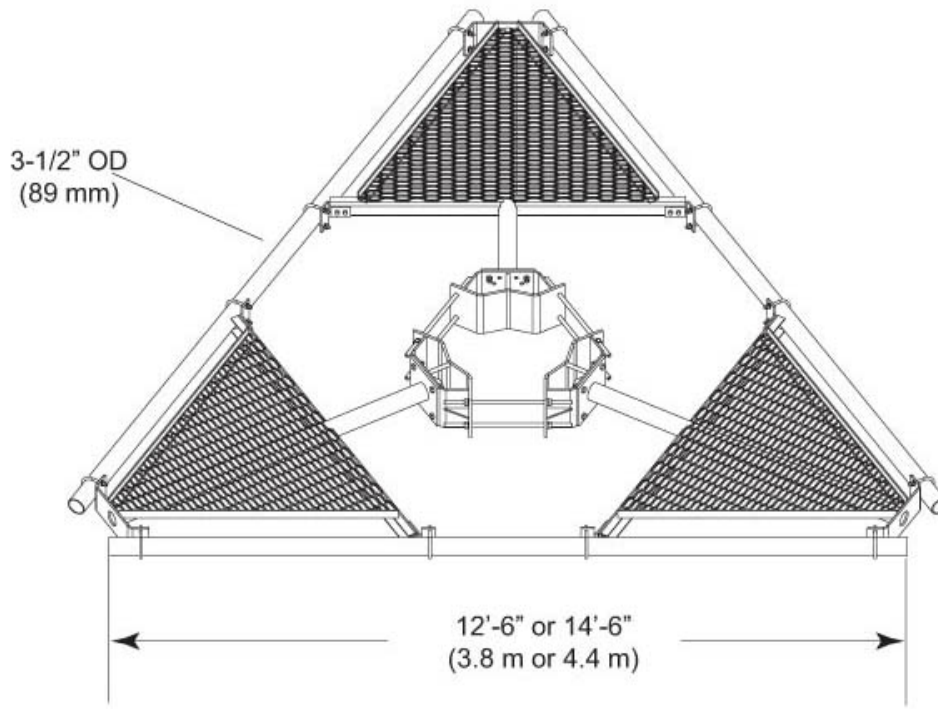
**Pipe Outer Diameter** 60.325 mm | 2.375 in

**Mounting Circumference, maximum** 2,392.68 mm | 94.2 in

**Mounting Circumference, minimum** 797.56 mm | 31.4 in

# MC-PK12S-9-72

## Outline Drawing



## Material Specifications

**Material Type** Hot dip galvanized steel

## Mechanical Specifications

**Wind Rating** 120 mph (BWS) at 150 ft AGL | 140 mph (3-second gust) at 150 ft AGL using Exposure D per FBC

**Wind Rating Criteria** Four 72 in x 8 in panel antennas per sector

**Wind Rating Test Method** TIA/EIA-222

## Environmental Specifications

**EPA with 1/2 in (12 mm) radial ice** 1.05 m<sup>2</sup> | 11.3 ft<sup>2</sup>

**EPA without ice** 0.818 m<sup>2</sup> | 8.8 ft<sup>2</sup>

## Packaging and Weights

**Included** Pipe mounts | Platform | Ring mount

# MC-PK12S-9-72

---

**Packaging quantity** 1  
**Weight, net** 643.511 kg | 1,418.7 lb

## Regulatory Compliance/Certifications

Agency	Classification
ISO 9001:2015	Designed, manufactured and/or distributed under this quality management system



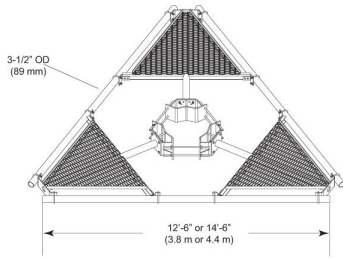
## Included Products

- |            |   |  |
|------------|---|--|
| MC-PK12S-B | - | Low-Profile Co-location Platform Kit, 12 ft face, 10 in to 30 in OD, pipe ordered separately |
| MT-219-H   | - | Pipe Mount Kit - 2-3/8" TO 3-1/2" PIPE - pipe not included                                   |
| MT-651     | - | Plain End Pipe, 2-3/8 in OD x 72 in .120" A500C 46Ksi  |

## \* Footnotes

<b>Wind Rating</b>	BWS—Base Wind Speed; FBC—Florida Building Code
<b>EPA with 1/2 in (12 mm) radial ice</b>	EPA—Effective Projected Area
<b>EPA without ice</b>	EPA—Effective Projected Area

# MC-PK12S-B



Low-Profile Co-location Platform Kit, 12 ft face, 10 in to 30 in OD, pipe ordered separately

## Product Classification

**Product Type** Monopole platform kit

## General Specifications

**Mounting** Monopole, 254–762 mm (10–30 in) OD

**Pipe, quantity** 0

**Sectors, quantity** 3

## Dimensions

**Height** 254 mm | 10 in

**Face Width** 3.81 m | 12.5 ft

**Width** 3810 mm | 150 in

**Length** 914.4 mm | 36 in

**Face Support Pipe Diameter** 88.9 mm | 3.5 in

**Mounting Diameter, maximum** 762 mm | 30 in

**Mounting Diameter, minimum** 254 mm | 10 in

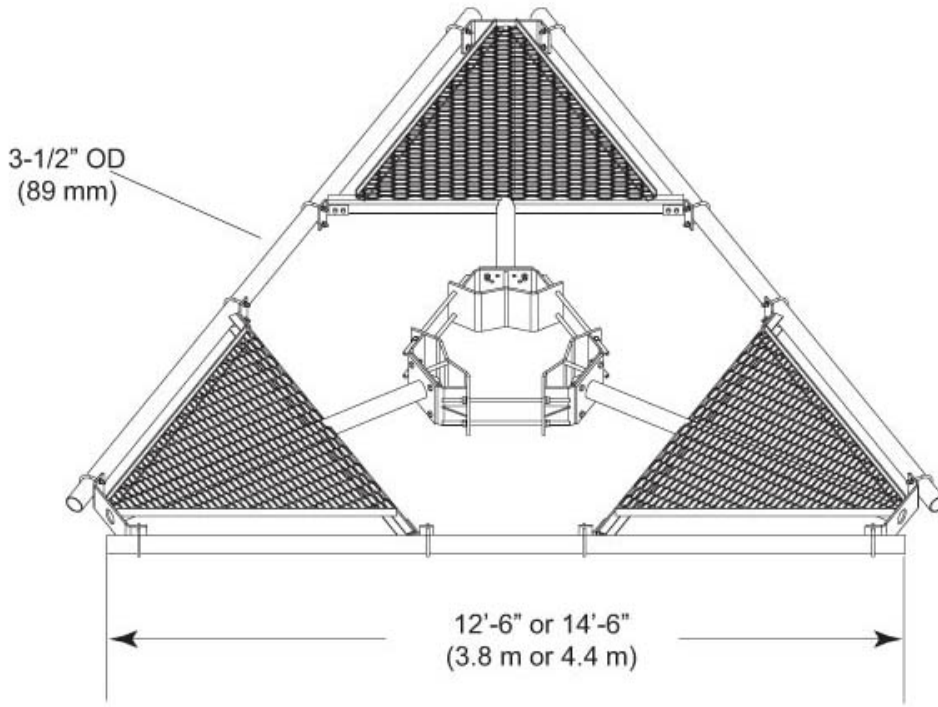
**Pipe Outer Diameter** 0 mm | 0 in

**Mounting Circumference, maximum** 2,392.68 mm | 94.2 in

**Mounting Circumference, minimum** 797.56 mm | 31.4 in

# MC-PK12S-B

## Outline Drawing



## Material Specifications

**Material Type** Hot dip galvanized steel

## Mechanical Specifications

**Wind Rating** 120 mph (BWS) at 150 ft AGL | 140 mph (3-second gust) at 150 ft AGL using Exposure D per FBC

**Wind Rating Criteria** Four 72 in x 8 in panel antennas per sector

**Wind Rating Test Method** TIA/EIA-222

## Environmental Specifications

**EPA with 1/2 in (12 mm) radial ice** 1.05 m<sup>2</sup> | 11.3 ft<sup>2</sup>

**EPA without ice** 0.818 m<sup>2</sup> | 8.8 ft<sup>2</sup>

## Packaging and Weights

**Included** Pipe mounts | Platform | Ring mount

# MC-PK12S-B

---

**Packaging quantity** 1  
**Weight, net** 509.52 kg | 1,123.3 lb

## Regulatory Compliance/Certifications

<b>Agency</b>	<b>Classification</b>
ISO 9001:2015	Designed, manufactured and/or distributed under this quality management system



## \* Footnotes

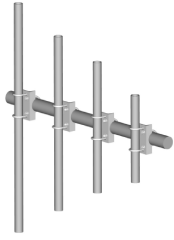
**Wind Rating** BWS—Base Wind Speed; FBC—Florida Building Code

**EPA with 1/2 in (12 mm) radial ice** EPA—Effective Projected Area

**EPA without ice** EPA—Effective Projected Area

# MT-219-H

---



Pipe Mount Kit - 2-3/8" TO 3-1/2" PIPE - pipe not included

## Product Classification

**Product Type** Pipe mount kit

## General Specifications

**Mounting** Pipe, 60.3 mm (2-3/8 in ) OD | Pipe, 88.9 mm (3-1/2 in) OD

## Dimensions

**Height** 254 mm | 10 in

**Width** 127 mm | 5 in

**Length** 127 mm | 5 in

**Mounting Diameter, maximum** 88.9 mm | 3.5 in

**Mounting Diameter, minimum** 60.325 mm | 2.375 in

## Material Specifications

**Material Type** Hot dip galvanized steel

## Packaging and Weights

**Included** Crossover bracket | U-bolts

**Packaging quantity** 1

**Weight, net** 4.9 kg | 10.803 lb

## Regulatory Compliance/Certifications

Agency	Classification
ISO 9001:2015	Designed, manufactured and/or distributed under this quality management system
REACH-SVHC	Compliant as per SVHC revision on <a href="https://www.commscope.com/ProductCompliance">www.commscope.com/ProductCompliance</a>
ROHS	Compliant
UK-ROHS	Compliant





# MT-651

---



Plain End Pipe, 2-3/8 in OD x 72 in .120" A500C 46Ksi

## Product Classification

**Product Type** Plain end pipe

## General Specifications

**Pipe, quantity** 1

## Dimensions

**Height** 60.96 mm | 2.4 in  
**Width** 60.96 mm | 2.4 in  
**Length** 1,828.8 mm | 72 in  
**Pipe Length** 1,828.8 mm | 72 in  
**Pipe Outer Diameter** 60.96 mm | 2.4 in  
**Material Thickness** 3.048 mm | 0.12 in

## Material Specifications

**Material Type** A500 | Hot dip galvanized steel  
**Material Grade** C  
**Material Strength** 46 KSI

## Packaging and Weights

**Included** Pipe  
**Packaging quantity** 1  
**Weight, net** 8 kg | 17.637 lb

## Regulatory Compliance/Certifications

Agency	Classification
CHINA-ROHS	Above maximum concentration value
ISO 9001:2015	Designed, manufactured and/or distributed under this quality management system

# MT-651

---

ROHS                      Compliant/Exempted  
UK-ROHS                Compliant

