

MC-K12S-12-96



Monopole Co-location T-Frame Kit, 10 in to 30 in OD, 12 ft face, includes pipe

OBSOLETE

This product was discontinued on: August 18, 2022

Replaced By:

MC-K12M-12-96

Monopole Co-location T-Frame kit, 12 in to 50 in OD, 12 ft 6 in face, includes pipe

Product Classification

Product Type Monopole T-frame kit

General Specifications

Mounting Monopole, 254–762 mm (10–30 in) OD

Pipe, quantity 12

Sectors, quantity 3

Dimensions

Height 96 in | 2,438.4 mm

Face Width 12.5 ft | 3.81 m

Width 150 in | 3810 mm

Length 36 in | 914.4 mm

Pipe Length 96 in | 2,438.4 mm

Mounting Diameter, maximum 30 in | 762 mm

Mounting Diameter, minimum 10 in | 254 mm

Pipe Outer Diameter 2.4 in | 60.96 mm

Stand-off Distance 36 in | 914.4 mm

MC-K12S-12-96

Outline Drawing



Material Specifications

Material Type Hot dip galvanized steel

Mechanical Specifications

Wind Rating 120 mph (BWS) at 150 ft AGL | 140 mph (3-second gust) at 150 ft AGL using Exposure D per FBC

Wind Rating Criteria Four 72 in x 8 in panel antennas per sector

Wind Rating Test Method TIA/EIA-222

Environmental Specifications

EPA with 1/2 in (12 mm) radial ice 14.5 ft² | 1.347 m²

EPA without ice 11.4 ft² | 1.059 m²

MC-K12S-12-96

Packaging and Weights

| | |
|---------------------------|--|
| Included | Cellular pipe frames Pipe mounts Ring mount Stand-off arms |
| Packaging quantity | 1 |
| Weight, net | 1,249.6 lb 566.809 kg |

Regulatory Compliance/Certifications

| Agency | Classification |
|---------------|--|
| ISO 9001:2015 | Designed, manufactured and/or distributed under this quality management system |



Included Products

| | | |
|-----------|---|--|
| MC-K12S-B | - | Monopole Co-location T-Frame Kit, 10 in to 30 in OD, 12 ft face, pipe ordered separately |
| MT-219-H | - | Pipe Mount Kit - 2-3/8" TO 3-1/2" PIPE - pipe not included |
| MT-651-96 | - | Plain End Pipe, 2-3/8 in OD x 96 in .120" A500C 46Ksi |

* Footnotes

| | |
|---|--|
| Wind Rating | BWS—Base Wind Speed; FBC—Florida Building Code |
| EPA with 1/2 in (12 mm) radial ice | EPA—Effective Projected Area |
| EPA without ice | EPA—Effective Projected Area |

MC-K12S-B



Monopole Co-location T-Frame Kit, 10 in to 30 in OD, 12 ft face, pipe ordered separately

Product Classification

Product Type Monopole T-frame kit

General Specifications

Mounting Monopole, 254–762 mm (10–30 in) OD

Pipe, quantity 0

Sectors, quantity 3

Dimensions

Height 10 in | 254 mm

Face Width 12.5 ft | 3.81 m

Width 150 in | 3810 mm

Length 36 in | 914.4 mm

Mounting Diameter, maximum 30 in | 762 mm

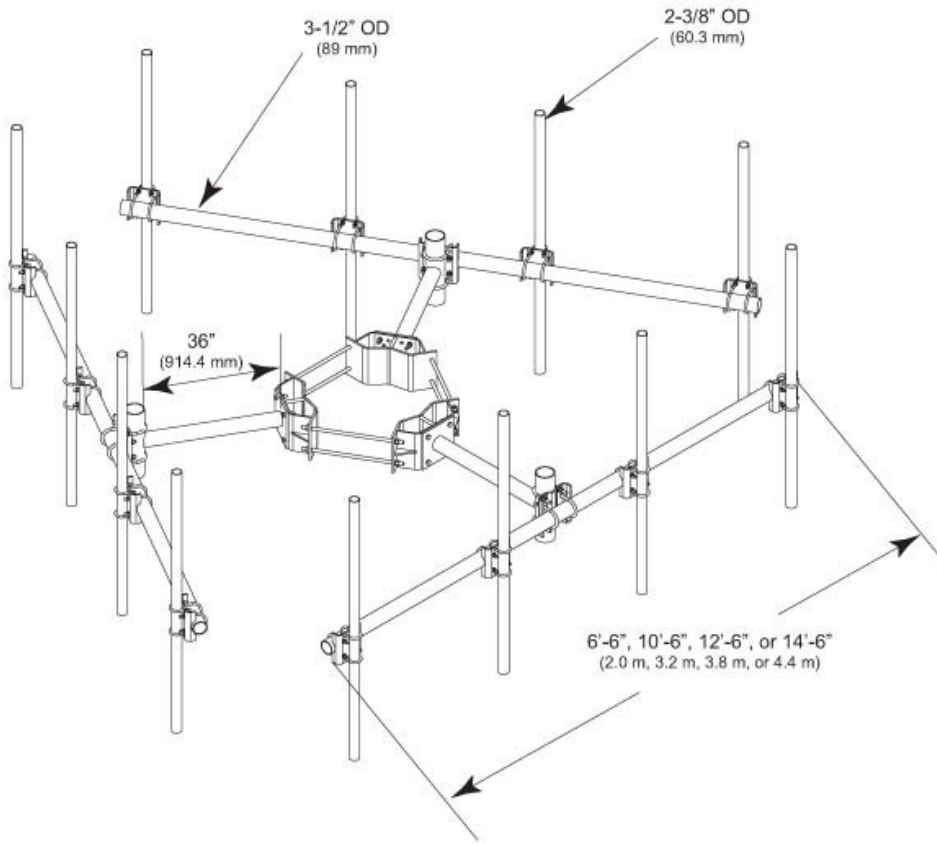
Mounting Diameter, minimum 10 in | 254 mm

Pipe Outer Diameter 2.4 in | 60.96 mm

Stand-off Distance 36 in | 914.4 mm

MC-K12S-B

Outline Drawing



Material Specifications

Material Type Hot dip galvanized steel

Mechanical Specifications

Wind Rating 120 mph (BWS) at 150 ft AGL | 140 mph (3-second gust) at 150 ft AGL using Exposure D per FBC

Wind Rating Criteria Four 72 in x 8 in panel antennas per sector

Wind Rating Test Method TIA/EIA-222

Environmental Specifications

EPA with 1/2 in (12 mm) radial ice 14.5 ft² | 1.347 m²

EPA without ice 11.4 ft² | 1.059 m²

MC-K12S-B

Packaging and Weights

| | |
|---------------------------|--|
| Included | Cellular pipe frames Ring mount Stand-off arms |
| Packaging quantity | 1 |
| Weight, net | 759.9 lb 344.685 kg |

Regulatory Compliance/Certifications

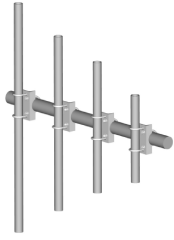
| Agency | Classification |
|---------------|--|
| ISO 9001:2015 | Designed, manufactured and/or distributed under this quality management system |



* Footnotes

| | |
|---|--|
| Wind Rating | BWS—Base Wind Speed; FBC—Florida Building Code |
| EPA with 1/2 in (12 mm) radial ice | EPA—Effective Projected Area |
| EPA without ice | EPA—Effective Projected Area |

MT-219-H



Pipe Mount Kit - 2-3/8" TO 3-1/2" PIPE - pipe not included

Product Classification

Product Type Pipe mount kit

General Specifications

Mounting Pipe, 60.3 mm (2-3/8 in) OD | Pipe, 88.9 mm (3-1/2 in) OD

Dimensions

Height 254 mm | 10 in

Width 127 mm | 5 in

Length 127 mm | 5 in

Mounting Diameter, maximum 88.9 mm | 3.5 in

Mounting Diameter, minimum 60.325 mm | 2.375 in

Material Specifications

Material Type Hot dip galvanized steel

Packaging and Weights

Included Crossover bracket | U-bolts

Packaging quantity 1

Weight, net 4.9 kg | 10.803 lb

Regulatory Compliance/Certifications

| Agency | Classification |
|---------------|---|
| ISO 9001:2015 | Designed, manufactured and/or distributed under this quality management system |
| REACH-SVHC | Compliant as per SVHC revision on www.commscope.com/ProductCompliance |
| ROHS | Compliant |
| UK-ROHS | Compliant |



MT-651-96



Plain End Pipe, 2-3/8 in OD x 96 in .120" A500C 46Ksi

Product Classification

Product Type Plain end pipe

General Specifications

Pipe, quantity 1

Dimensions

Height 60.96 mm | 2.4 in
Width 60.96 mm | 2.4 in
Length 2,438.4 mm | 96 in
Pipe Length 2,438.4 mm | 96 in
Pipe Outer Diameter 60.96 mm | 2.4 in
Material Thickness 3.048 mm | 0.12 in

Material Specifications

Material Type A500 | Hot dip galvanized steel
Material Grade C
Material Strength 46 KSI

Packaging and Weights

Included Pipe
Packaging quantity 1
Weight, net 10 kg | 22.046 lb

Regulatory Compliance/Certifications

| Agency | Classification |
|---------------|--|
| CHINA-ROHS | Above maximum concentration value |
| ISO 9001:2015 | Designed, manufactured and/or distributed under this quality management system |

MT-651-96

ROHS Compliant/Exempted

UK-ROHS Compliant/Exempted

