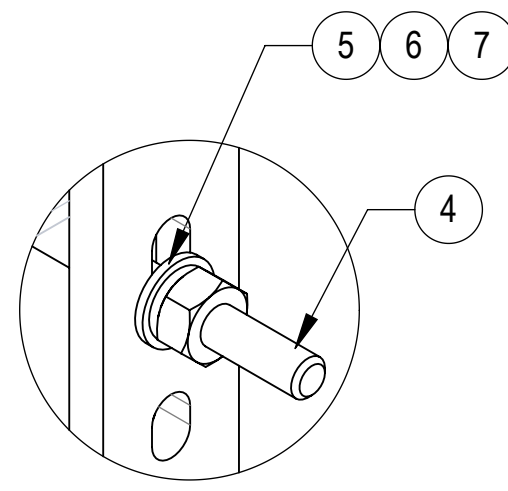
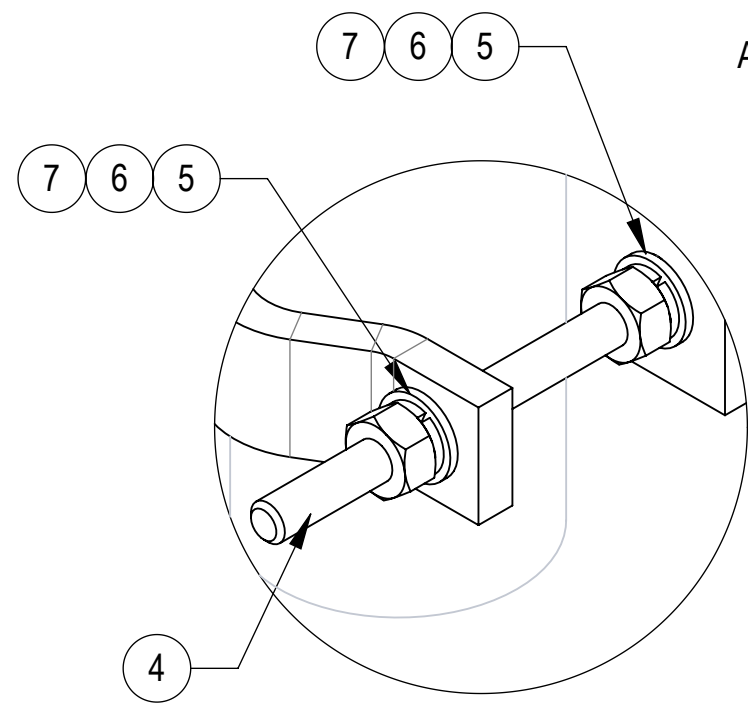
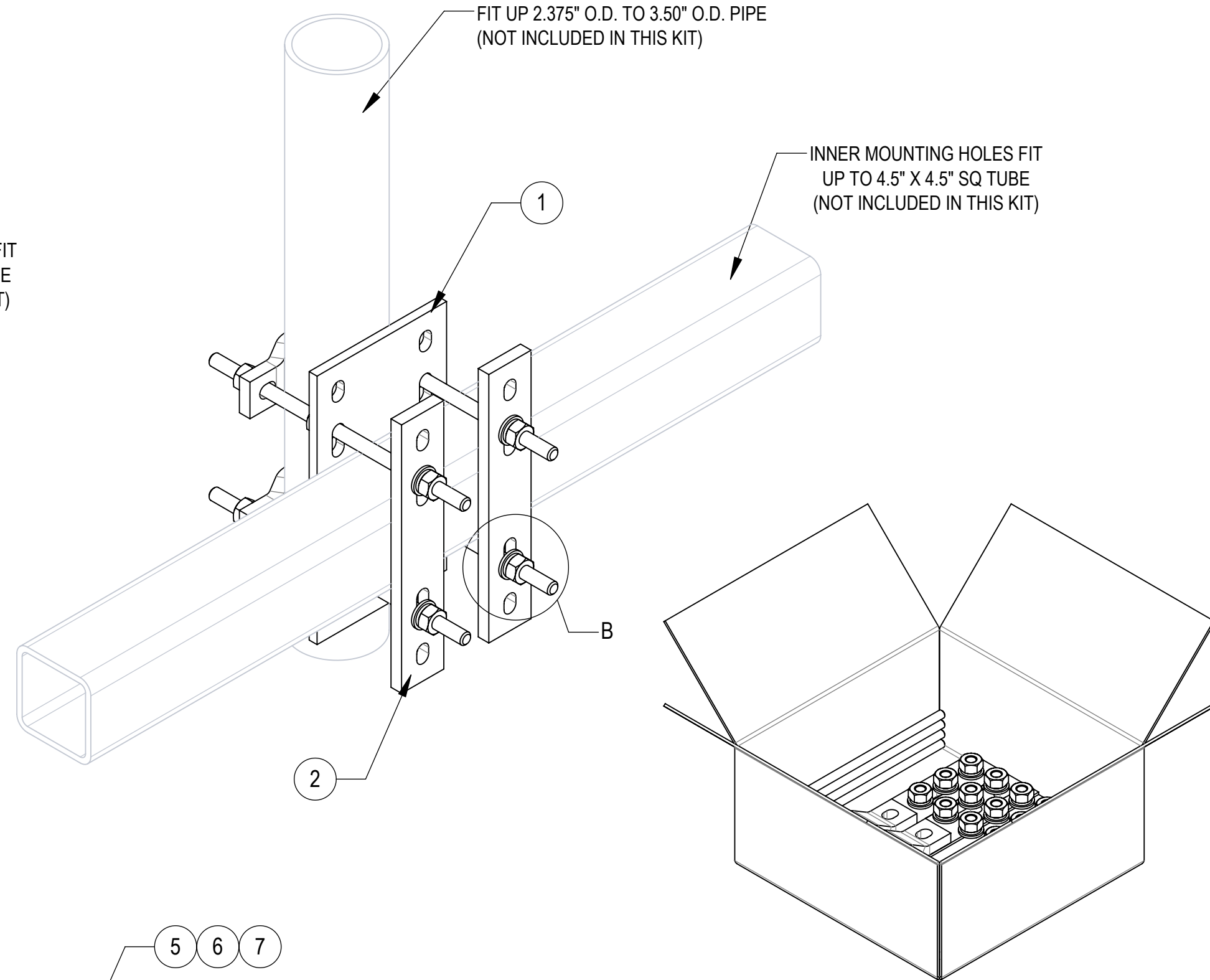
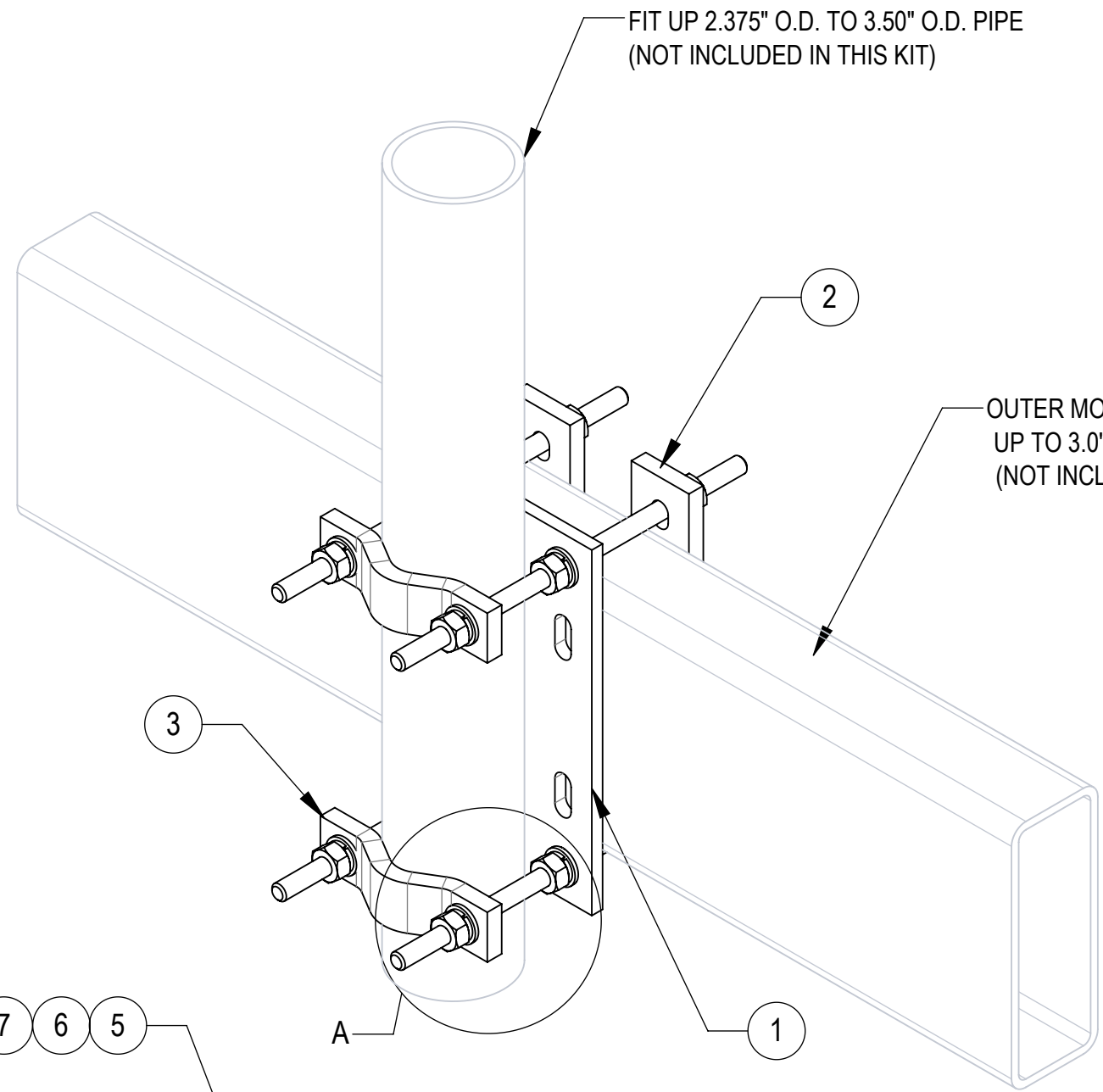


- 1.0 GENERAL NOTES
 - 1.1 ALL METRIC DIMENSIONS ARE IN BRACKETS [X.X]
 - 1.2 FOR PATENT INFO: <https://www.cs-pat.com>
- 2.0 DESIGN NOTES
- 3.0 MANUFACTURING/SPECIAL REQUIREMENTS
 - 3.1 TIGHTEN ALL BOLTS SECURING FLAT PLATES BY THE TURN-OF-NUT METHOD. TIGHTEN ALL U-BOLTS USING TURN-OF-NUT METHOD WITH ATTENTION TO LEAVE EQUAL DISTANCE AND EQUAL FORCE ON EACH LEG OF THE U-BOLT.
- 4.0 TEST
- 5.0 PACKAGING
 - 5.1 PACKAGING SHALL MEET COMMSCOPE REQUIREMENTS PER DOCUMENT IS-PL-3005
 - 5.2 PRINTED DOCUMENT TO BE PLACED INSIDE POLYBAG AND THEN IN SHIPPING CONTAINER
 - 5.3 EXTRA HARDWARE MAY BE SUPPLIED, BAGGED AND SHIPPED

REVISIONS			
REV.	DESCRIPTION	DATE	APPROVED
A	INITIAL RELEASE	MAC 15NOV21	MM1298 40139383CMO
B	CHANGED THE BOM LIST	MAC 16DEC21	MM1298 40139383CMO
C	USE MT-379 INSTEAD OF MT-379-12	MAC 25JAN22	MM1298 40139383CMO
D	GWF-04A (ITEM 5), GWL-04 (ITEM 6) & GN-04 (ITEM 7) QTY 12 WAS 8	NSUN 19NOV24	BA1025 40209129CMO



COMPONENT PART NUMBERS PROVIDED FOR ASSEMBLY PURPOSES;
INDIVIDUAL COMPONENTS MAY BE SHIPPED AS PARTS WITHIN AN INCLUDED KIT.

ITEM	PART NO.	DESCRIPTION	QTY.	WEIGHT	NOTE NO.
1	XP-PM-1000	BACKING PLATE	1	6.73 LBS	
2	XP-PM-2000	SUPPORT BACK PLATE	2	2.83 LBS	
3	SCP10	CLAMP HALF: 1/2", 9/16" HOLE, 4-1/8" (EA)	2	1.20 LBS	
4	MT-379	1/2" X 12" GALV THREADED ROD	4	0.66 LBS	
5	GWF04A	1/2" GALV FLAT WASHER (A325)	12	0.02 LBS	
6	GWL-04	1/2" GALV LOCK WASHER	12	0.01 LBS	
7	GN-04A	1/2" GALV HEX NUT (A194 2H)	12	0.07 LBS	

DENSITY	84.94	lbs/in ³
MASS	300.47	lbs
VOLUME	2379.94	in ³
SURFACE AREA		in ²
HEIGHT	6.13"	
LENGTH	12"	
WIDTH	11"	

COMMSCOPE, INC. OF NORTH CAROLINA									
TOLERANCES		SAP MATERIAL MASTER							
1 PLACE .X[X] ± 0.25[6.3]	3 PLACE .XXX[X] ± 0.060[1.5]	XP-PM-S							
2 PLACE .XX[X] ± 0.12[3.0]	ANGLES ± 2°								
FINISH		MATERIAL							
UNLESS OTHERWISE SPECIFIED DIMENSIONS ARE IN INCHES INTERPRET PER ANSI Y 14.5M-1994		TITLE							
CE	MAC	15NOV21	CO TUBE-TO-SQ-RND CLAMPS SINGLE-LARGE						
RW	NSUN	11/20/2024							
AD	BCROSS	11/21/2024							
RE	YMENG	12/04/2024							
ECN 40209129CMO		SCALE	DOCUMENT NO.						
		1:4	XP-PM-S						
SIZE	Auth Group	INSL	MODEL						
C			VERSION	STATUS	REVISION	VERSION	STATUS	REVISION	SHEET
			03	RE	B	03	RE	D	1 OF 1