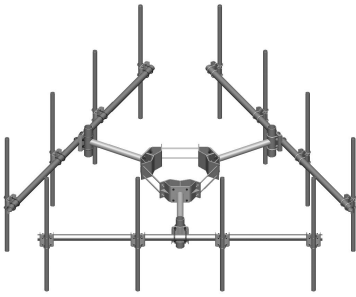


MC-K10S-B



Monopole Co-location T-Frame Kit, 10 in to 30 in OD, 10 ft face, pipe ordered separately

OBSOLETE

This product was discontinued on: August 18, 2022

Replaced By:

MC-K10M-B

Monopole Co-location T-Frame kit, 12 in to 50 in OD, 10 ft 6 in face, pipe ordered separately

Product Classification

Product Type Monopole T-frame kit

General Specifications

Mounting Monopole, 254–762 mm (10–30 in) OD

Pipe, quantity 0

Sectors, quantity 3

Dimensions

Height 254 mm | 10 in

Face Width 3.2 m | 10.5 ft

Width 3,200.4 mm | 126 in

Length 914.4 mm | 36 in

Mounting Diameter, maximum 762 mm | 30 in

Mounting Diameter, minimum 254 mm | 10 in

Pipe Outer Diameter 60.96 mm | 2.4 in

Stand-off Distance 914.4 mm | 36 in

MC-K10S-B

Outline Drawing



Material Specifications

Material Type Hot dip galvanized steel

Mechanical Specifications

Wind Rating 120 mph (BWS) at 150 ft AGL | 140 mph (3-second gust) at 150 ft AGL using Exposure D per FBC

Wind Rating Criteria Four 72 in x 8 in panel antennas per sector

Wind Rating Test Method TIA/EIA-222

Environmental Specifications

EPA with 1/2 in (12 mm) radial ice 1.18 m² | 12.7 ft²

EPA without ice 0.929 m² | 10 ft²

MC-K10S-B

Packaging and Weights

| | |
|---------------------------|--|
| Included | Cellular pipe frames Ring mount Stand-off arms |
| Packaging quantity | 1 |
| Weight, net | 323.003 kg 712.1 lb |

Regulatory Compliance/Certifications

| Agency | Classification |
|---------------|--|
| ISO 9001:2015 | Designed, manufactured and/or distributed under this quality management system |



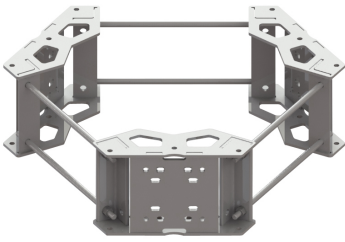
Included Products

- MC-RM1030-3 – Universal Ring Mount, 10 in to 30 in OD
- MT-197 – Single Support Arm, 36 in, includes pipe
- MT-216-10NS – Cellular Pipe Frame, 10 ft face

* Footnotes

| | |
|---|--|
| Wind Rating | BWS—Base Wind Speed; FBC—Florida Building Code |
| EPA with 1/2 in (12 mm) radial ice | EPA—Effective Projected Area |
| EPA without ice | EPA—Effective Projected Area |

MC-RM1030-3



Universal Ring Mount, 10 in to 30 in OD

Product Classification

Product Type Universal ring mount

General Specifications

Mounting Monopole, 254–762 mm (10–30 in) OD

Pipe, quantity 0

Sectors, quantity 3

Dimensions

Height 10 in | 254 mm

Length 6 in | 152.4 mm

Mounting Diameter, maximum 30 in | 762 mm

Mounting Diameter, minimum 10 in | 254 mm

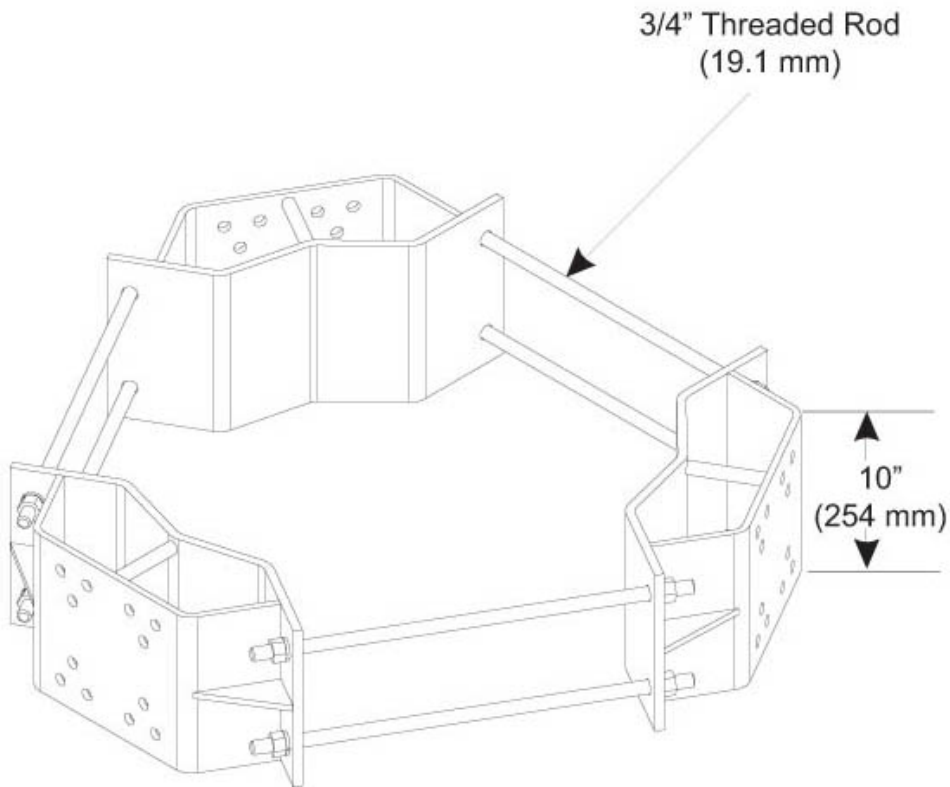
Pipe Outer Diameter 0 in | 0 mm

Mounting Circumference, maximum 94.2 in | 2,392.68 mm

Mounting Circumference, minimum 31.4 in | 797.56 mm

MC-RM1030-3

Outline Drawing



Material Specifications

Material Type Hot dip galvanized steel

Mechanical Specifications

Wind Rating 140 mph (BWS) at 150 ft AGL | 160 mph (3-second gust) at 150 ft AGL using Exposure D per FBC

Wind Rating Criteria Four 72 in x 8 in panel antennas per sector

Wind Rating Test Method TIA/EIA-222

Packaging and Weights

Included Mount | Threaded rod

Packaging quantity 1

Weight, net 190.3 lb | 86.319 kg

MC-RM1030-3

Regulatory Compliance/Certifications

Agency

ISO 9001:2015



Classification

Designed, manufactured and/or distributed under this quality management system

* Footnotes

Wind Rating

BWS—Base Wind Speed; FBC—Florida Building Code

MT-197

Single Support Arm, 36 in, includes pipe

Product Classification

Product Type Universal ring mount

General Specifications

Mounting Ring mount

Pipe, quantity 1

Dimensions

Height 457.2 mm | 18 in

Width 254 mm | 10 in

Length 914.4 mm | 36 in

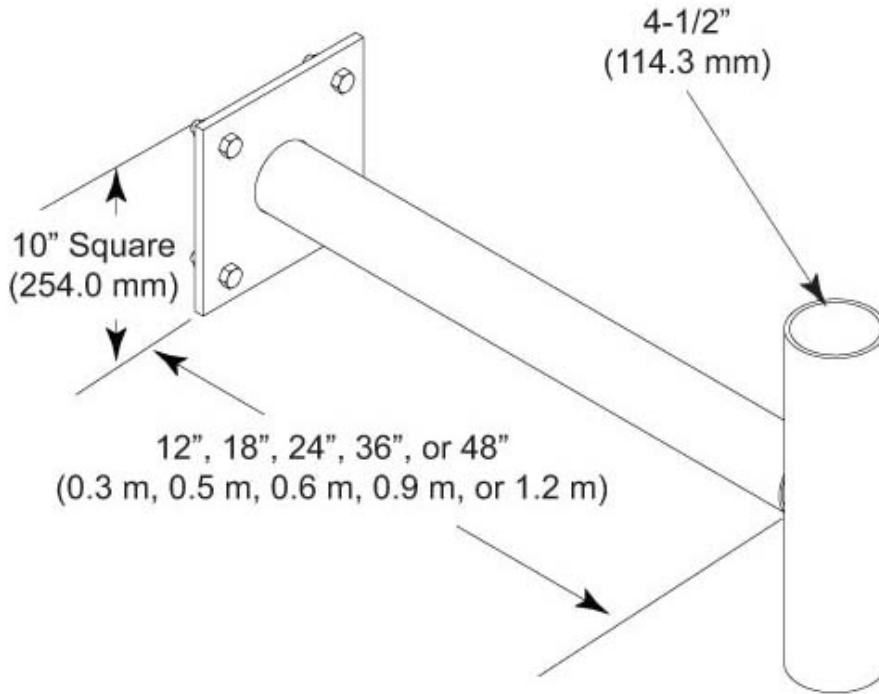
Pipe Length 457.2 mm | 18 in

Pipe Outer Diameter 114.3 mm | 4.5 in

Stand-off Distance 914.4 mm | 36 in

MT-197

Outline Drawing



Material Specifications

Material Type Hot dip galvanized steel

Mechanical Specifications

Wind Rating 120 mph (BWS) at 150 ft AGL | 140 mph (3-second gust) at 150 ft AGL using Exposure D per FBC

Wind Rating Criteria Four 72 in x 8 in panel antennas per sector

Wind Rating Test Method TIA/EIA-222

Packaging and Weights

Included Hardware | Stand-off arms

Packaging quantity 1

Weight, net 30.9 kg | 68.123 lb

MT-197

Regulatory Compliance/Certifications

Agency

ISO 9001:2015



Classification

Designed, manufactured and/or distributed under this quality management system

* Footnotes

Wind Rating

BWS—Base Wind Speed; FBC—Florida Building Code

MT-216-10NS

Cellular Pipe Frame, 10 ft face

Product Classification

Product Type Pipe mount

General Specifications

Mounting Pipe, 114.3 mm (4-1/2 in) OD

Dimensions

Height 254 mm | 10 in

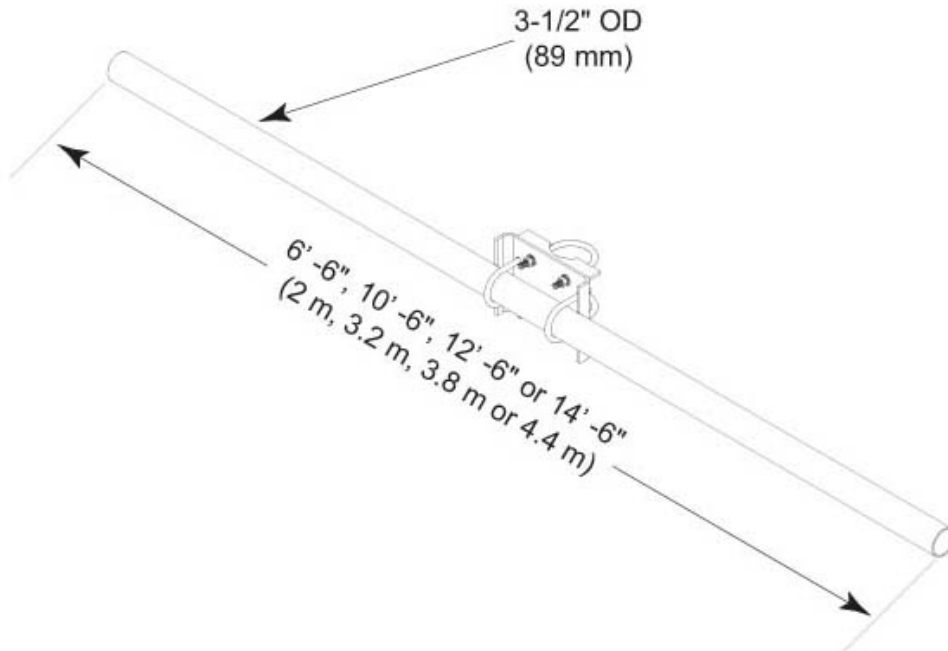
Face Width 3.2 m | 10.5 ft

Width 3,200.4 mm | 126 in

Length 88.9 mm | 3.5 in

MT-216-10NS

Outline Drawing



Material Specifications

Material Type Hot dip galvanized steel

Mechanical Specifications

Wind Rating 120 mph (BWS) at 150 ft AGL | 140 mph (3-second gust) at 150 ft AGL using Exposure D per FBC

Wind Rating Criteria Four 72 in x 8 in panel antennas per sector

Wind Rating Test Method TIA/EIA-222

Packaging and Weights

Included Cellular pipe frames

Packaging quantity 1

Weight, net 44.5 kg | 98.106 lb

Regulatory Compliance/Certifications

MT-216-10NS

Agency

ISO 9001:2015



Classification

Designed, manufactured and/or distributed under this quality management system

* Footnotes

Wind Rating

BWS—Base Wind Speed; FBC—Florida Building Code