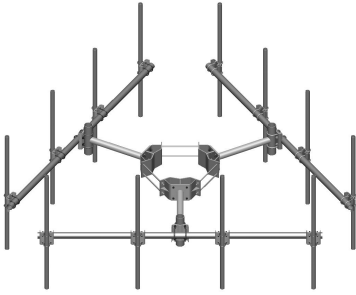


# MC-K10S-6-96



Monopole Co-location T-Frame Kit, 10 in to 30 in OD, 10 ft face, includes pipe

## OBSOLETE

This product was discontinued on: August 18, 2022

### Replaced By:

MC-K10M-6-96

Monopole Co-location T-Frame kit, 12 in to 50 in OD, 10 ft 6 in face, includes pipe

## Product Classification

**Product Type** Monopole T-frame kit

## General Specifications

**Mounting** Monopole, 254–762 mm (10–30 in) OD

**Pipe, quantity** 6

**Sectors, quantity** 3

## Dimensions

**Height** 2,438.4 mm | 96 in

**Face Width** 3.2 m | 10.5 ft

**Width** 3,200.4 mm | 126 in

**Length** 914.4 mm | 36 in

**Pipe Length** 2,438.4 mm | 96 in

**Mounting Diameter, maximum** 762 mm | 30 in

**Mounting Diameter, minimum** 254 mm | 10 in

**Pipe Outer Diameter** 60.96 mm | 2.4 in

**Stand-off Distance** 914.4 mm | 36 in

# MC-K10S-6-96

## Outline Drawing



## Material Specifications

**Material Type** Hot dip galvanized steel

## Mechanical Specifications

**Wind Rating** 120 mph (BWS) at 150 ft AGL | 140 mph (3-second gust) at 150 ft AGL using Exposure D per FBC

**Wind Rating Criteria** Four 72 in x 8 in panel antennas per sector

**Wind Rating Test Method** TIA/EIA-222

## Environmental Specifications

**EPA with 1/2 in (12 mm) radial ice** 1.18 m<sup>2</sup> | 12.7 ft<sup>2</sup>

**EPA without ice** 0.929 m<sup>2</sup> | 10 ft<sup>2</sup>

# MC-K10S-6-96

---

## Packaging and Weights

<b>Included</b>	Cellular pipe frames   Pipe mounts   Ring mount   Stand-off arms
<b>Packaging quantity</b>	1
<b>Weight, net</b>	423.292 kg   933.2 lb

## Regulatory Compliance/Certifications

<b>Agency</b>	<b>Classification</b>
ISO 9001:2015	Designed, manufactured and/or distributed under this quality management system



## Included Products

MC-K10S-B	-	Monopole Co-location T-Frame Kit, 10 in to 30 in OD, 10 ft face, pipe ordered separately
MT-219-H	-	Pipe Mount Kit - 2-3/8" TO 3-1/2" PIPE - pipe not included
MT-651-96	-	Plain End Pipe, 2-3/8 in OD x 96 in .120" A500C 46Ksi

## \* Footnotes

<b>Wind Rating</b>	BWS—Base Wind Speed; FBC—Florida Building Code
<b>EPA with 1/2 in (12 mm) radial ice</b>	EPA—Effective Projected Area
<b>EPA without ice</b>	EPA—Effective Projected Area

# MC-K10S-B

---



Monopole Co-location T-Frame Kit, 10 in to 30 in OD, 10 ft face, pipe ordered separately

## Product Classification

**Product Type** Monopole T-frame kit

## General Specifications

**Mounting** Monopole, 254–762 mm (10–30 in) OD

**Pipe, quantity** 0

**Sectors, quantity** 3

## Dimensions

**Height** 254 mm | 10 in

**Face Width** 3.2 m | 10.5 ft

**Width** 3,200.4 mm | 126 in

**Length** 914.4 mm | 36 in

**Mounting Diameter, maximum** 762 mm | 30 in

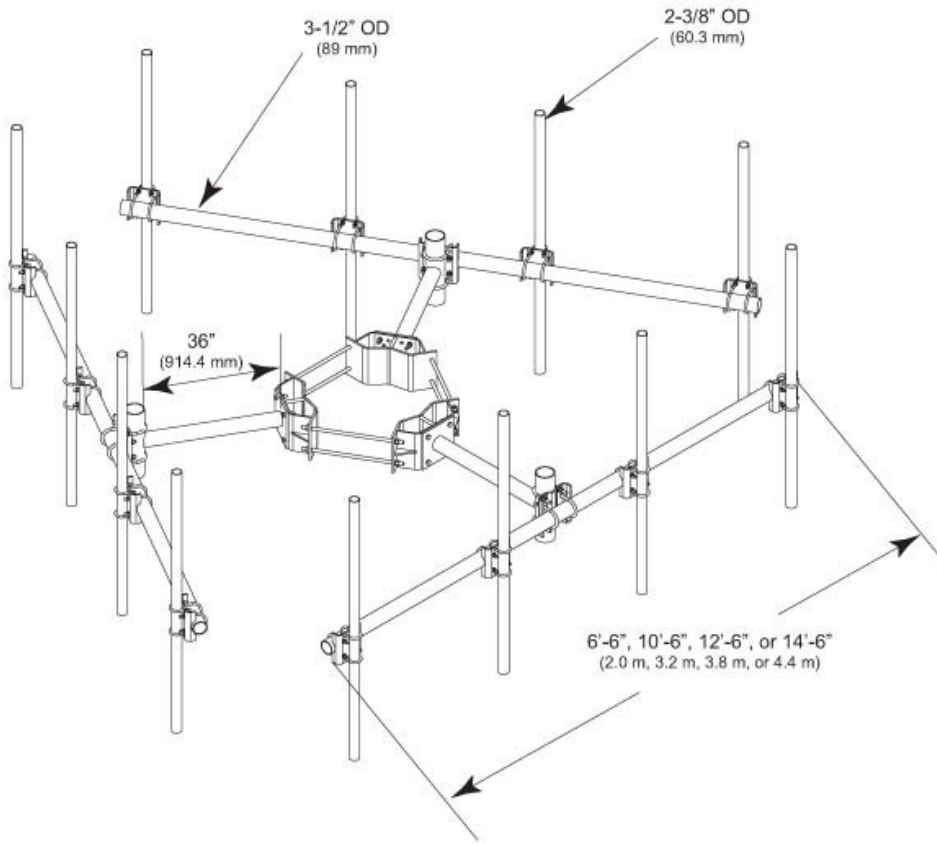
**Mounting Diameter, minimum** 254 mm | 10 in

**Pipe Outer Diameter** 60.96 mm | 2.4 in

**Stand-off Distance** 914.4 mm | 36 in

# MC-K10S-B

## Outline Drawing



## Material Specifications

**Material Type** Hot dip galvanized steel

## Mechanical Specifications

**Wind Rating** 120 mph (BWS) at 150 ft AGL | 140 mph (3-second gust) at 150 ft AGL using Exposure D per FBC

**Wind Rating Criteria** Four 72 in x 8 in panel antennas per sector

**Wind Rating Test Method** TIA/EIA-222

## Environmental Specifications

**EPA with 1/2 in (12 mm) radial ice** 1.18 m<sup>2</sup> | 12.7 ft<sup>2</sup>

**EPA without ice** 0.929 m<sup>2</sup> | 10 ft<sup>2</sup>

# MC-K10S-B

---

## Packaging and Weights

<b>Included</b>	Cellular pipe frames   Ring mount   Stand-off arms
<b>Packaging quantity</b>	1
<b>Weight, net</b>	323.003 kg   712.1 lb

## Regulatory Compliance/Certifications

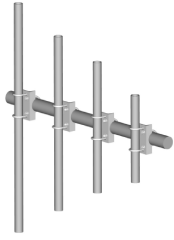
<b>Agency</b>	<b>Classification</b>
ISO 9001:2015	Designed, manufactured and/or distributed under this quality management system



## \* Footnotes

<b>Wind Rating</b>	BWS—Base Wind Speed; FBC—Florida Building Code
<b>EPA with 1/2 in (12 mm) radial ice</b>	EPA—Effective Projected Area
<b>EPA without ice</b>	EPA—Effective Projected Area

# MT-219-H



Pipe Mount Kit - 2-3/8" TO 3-1/2" PIPE - pipe not included

## Product Classification

**Product Type** Pipe mount kit

## General Specifications

**Mounting** Pipe, 60.3 mm (2-3/8 in ) OD | Pipe, 88.9 mm (3-1/2 in) OD

## Dimensions

**Height** 254 mm | 10 in

**Width** 127 mm | 5 in

**Length** 127 mm | 5 in

**Mounting Diameter, maximum** 88.9 mm | 3.5 in

**Mounting Diameter, minimum** 60.325 mm | 2.375 in

## Material Specifications

**Material Type** Hot dip galvanized steel

## Packaging and Weights

**Included** Crossover bracket | U-bolts

**Packaging quantity** 1

**Weight, net** 4.9 kg | 10.803 lb

## Regulatory Compliance/Certifications

Agency	Classification
ISO 9001:2015	Designed, manufactured and/or distributed under this quality management system
REACH-SVHC	Compliant as per SVHC revision on <a href="https://www.commscope.com/ProductCompliance">www.commscope.com/ProductCompliance</a>
ROHS	Compliant
UK-ROHS	Compliant





# MT-651-96

---



Plain End Pipe, 2-3/8 in OD x 96 in .120" A500C 46Ksi

## Product Classification

**Product Type** Plain end pipe

## General Specifications

**Pipe, quantity** 1

## Dimensions

**Height** 60.96 mm | 2.4 in  
**Width** 60.96 mm | 2.4 in  
**Length** 2,438.4 mm | 96 in  
**Pipe Length** 2,438.4 mm | 96 in  
**Pipe Outer Diameter** 60.96 mm | 2.4 in  
**Material Thickness** 3.048 mm | 0.12 in

## Material Specifications

**Material Type** A500 | Hot dip galvanized steel  
**Material Grade** C  
**Material Strength** 46 KSI

## Packaging and Weights

**Included** Pipe  
**Packaging quantity** 1  
**Weight, net** 10 kg | 22.046 lb

## Regulatory Compliance/Certifications

Agency	Classification
CHINA-ROHS	Above maximum concentration value
ISO 9001:2015	Designed, manufactured and/or distributed under this quality management system

# MT-651-96

---

ROHS Compliant/Exempted

UK-ROHS Compliant/Exempted

