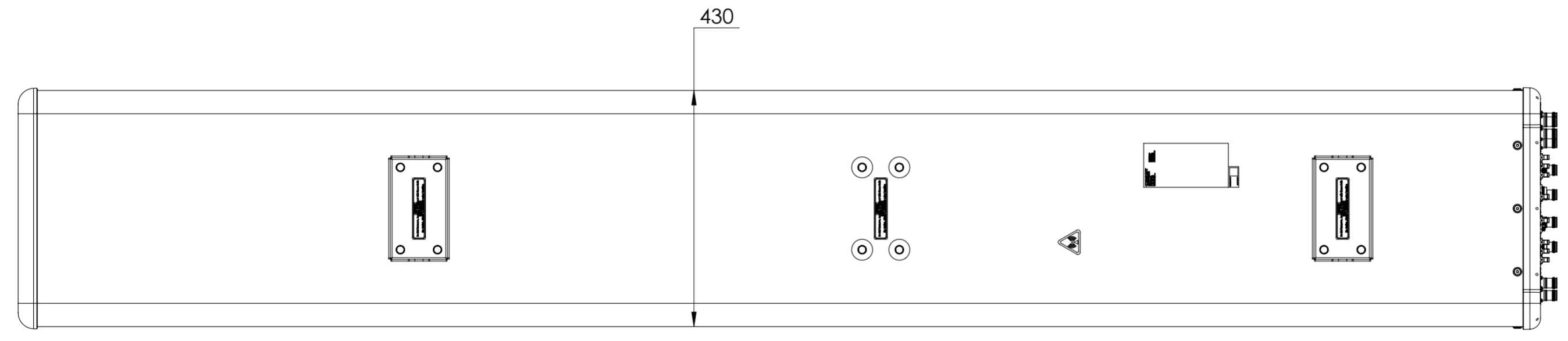
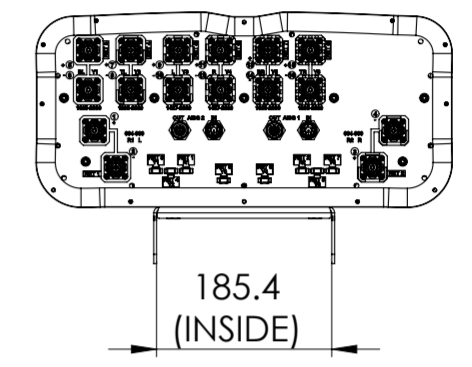
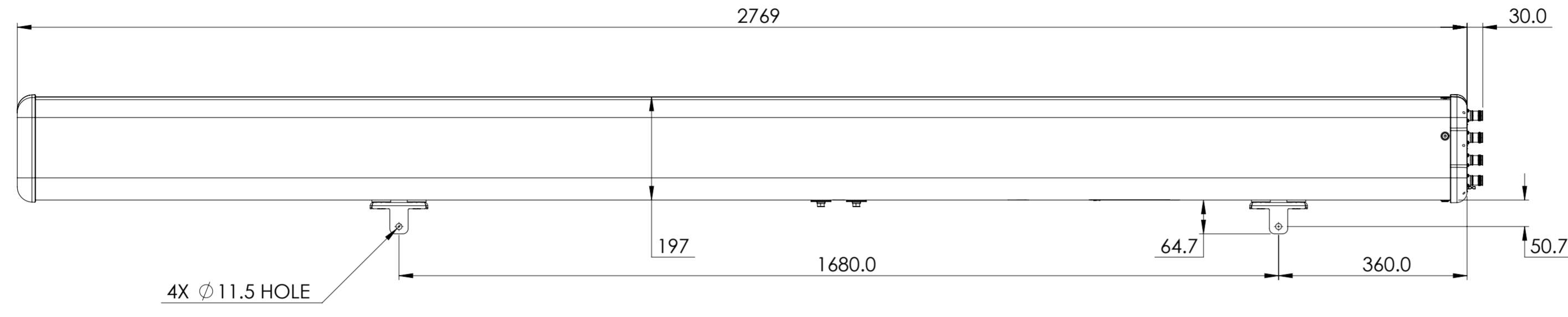


REVISIONS			
REV.	DESCRIPTION	DATE	APPROVED
A	ECR 40150932CMO: RELEASE TO PRODUCTION PER EAO 611033.	1AUG22 PL	DM.WANG/WJ



RRZZV4-65D-R8NV1

**COMMScope, INC. OF NORTH CAROLINA**

TOLERANCES		SAP MATERIAL MASTER	
0 PLACE X ±	2 PLACE .XX ±		
1 PLACE .X ±	ANGLES ±		
FINISH		MATERIAL	
<small>UNLESS OTHERWISE SPECIFIED DIMENSIONS ARE IN MILLIMETERS INTERPRET PER ISO STANDARDS HANDBOOK TECHNICAL DRAWINGS VOLUMES 1 &amp; 2, THIRD EDITION (2002)</small>		NAME	DATE
		CE PL	08/01/2022
		RW PL1051	07/31/2022
		RV DW1030	01/11/2021
		AD JTANG	08/04/2022
RE XIAOWANG	08/05/2022	TITLE	
ECN 40150932CMO		PRODUCT DRAWING	
SCALE		DOCUMENT NO.	
1:8		RRZZV4-65D-R8NV1-L	
SIZE	WORK AREA	BSA	MODEL
A2			VERSION STATUS REVISION
		DRAWING	
		VERSION STATUS REVISION	SHEET
		00 RE A	1 OF 1

DENSITY	g/mm <sup>3</sup>
MASS	grams
VOLUME	mm <sup>3</sup>
SURFACE AREA	mm <sup>2</sup>
HEIGHT	
LENGTH	
WIDTH	