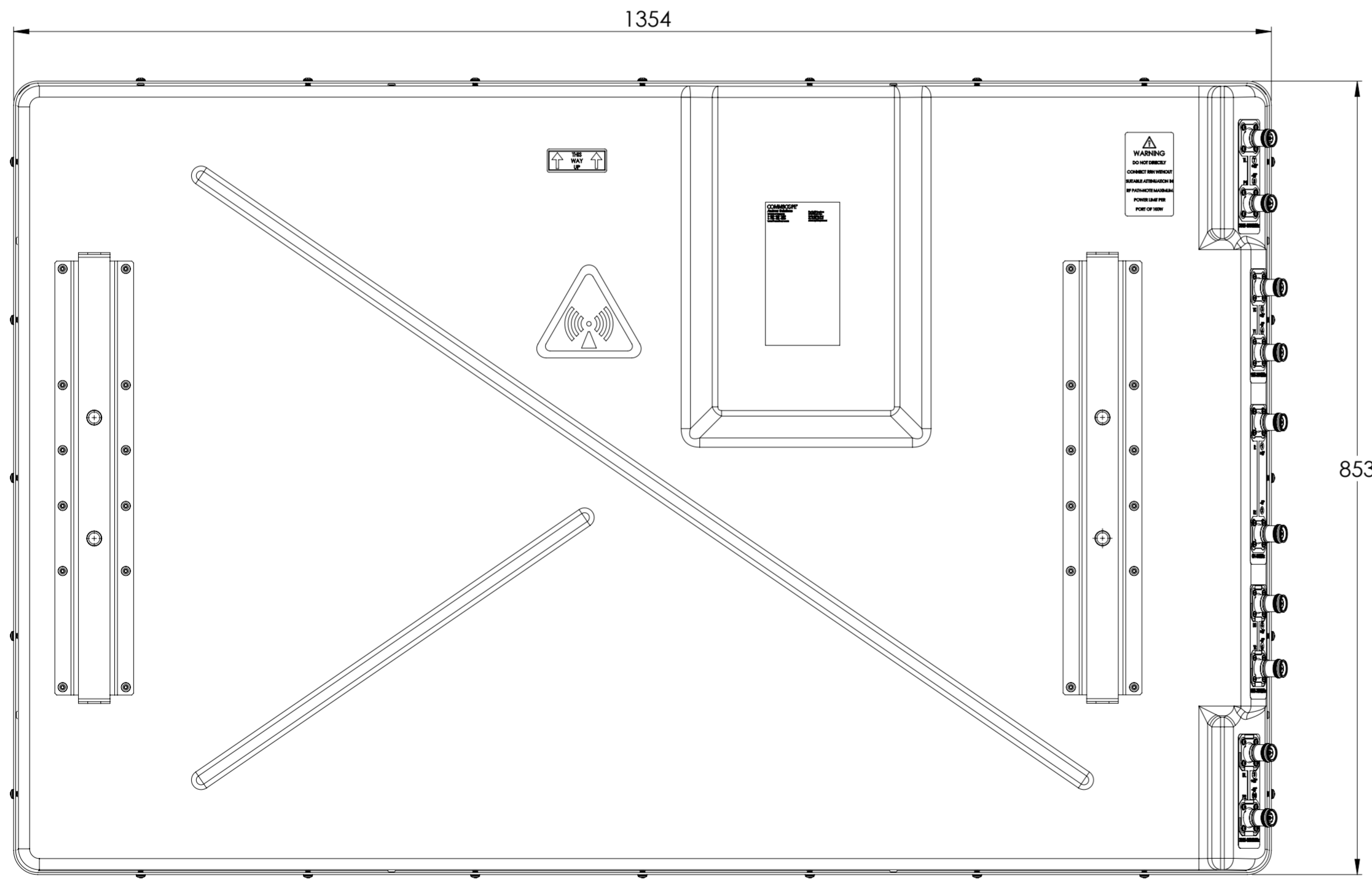
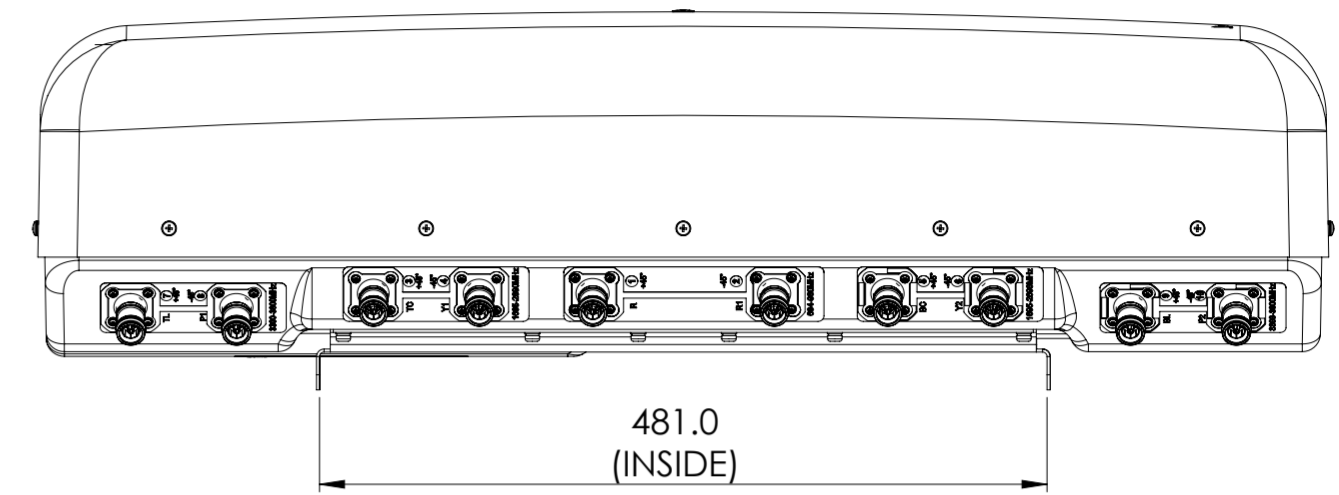
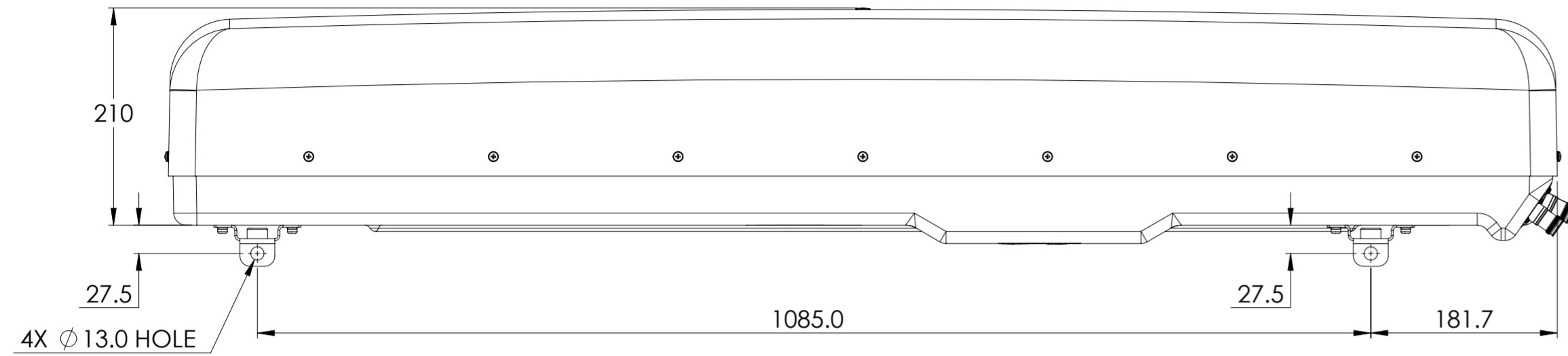


REVISIONS			
REV.	DESCRIPTION	DATE	APPROVED
A	ECR 8000042546: RELEASE TO PRODUCTION PER EAO 608346.	28JAN21 HQJ	YXW/LFS
B	ECR 12364PC: UPDATE MODEL.	10MAY21 ZY	YXW/LFS



RVVSS-50M-F

DENSITY	g/mm ³
MASS	grams
VOLUME	mm ³
SURFACE AREA	mm ²
HEIGHT	
LENGTH	
WIDTH	

COMMSCOPE, INC. OF NORTH CAROLINA

TOLERANCES		SAP MATERIAL MASTER	
0 PLACE X ±	2 PLACE .XX ±		
1 PLACE .X ±	ANGLES ±		
FINISH		MATERIAL	
<small>UNLESS OTHERWISE SPECIFIED DIMENSIONS ARE IN MILLIMETERS INTERPRET PER ISO STANDARDS HANDBOOK TECHNICAL DRAWINGS VOLUMES 1 & 2, THIRD EDITION (2002)</small>		NAME	DATE
		CE HQJ	12/21/2020
		RW YZHA1	05/10/2021
		RV XY1021	01/28/2021
		AD XY1021	05/10/2021
RE XIAOWANG	05/10/2021	DOCUMENT NO. RVVSS-50M-F-L	
ECN 12364PC	SCALE 1:5		
SIZE A2	WORK AREA	BSA	MODEL
	VERSION 02	STATUS RE	REVISION C
	DRAWING		SHEET
	VERSION 01	STATUS RE	REVISION B
			1 OF 1