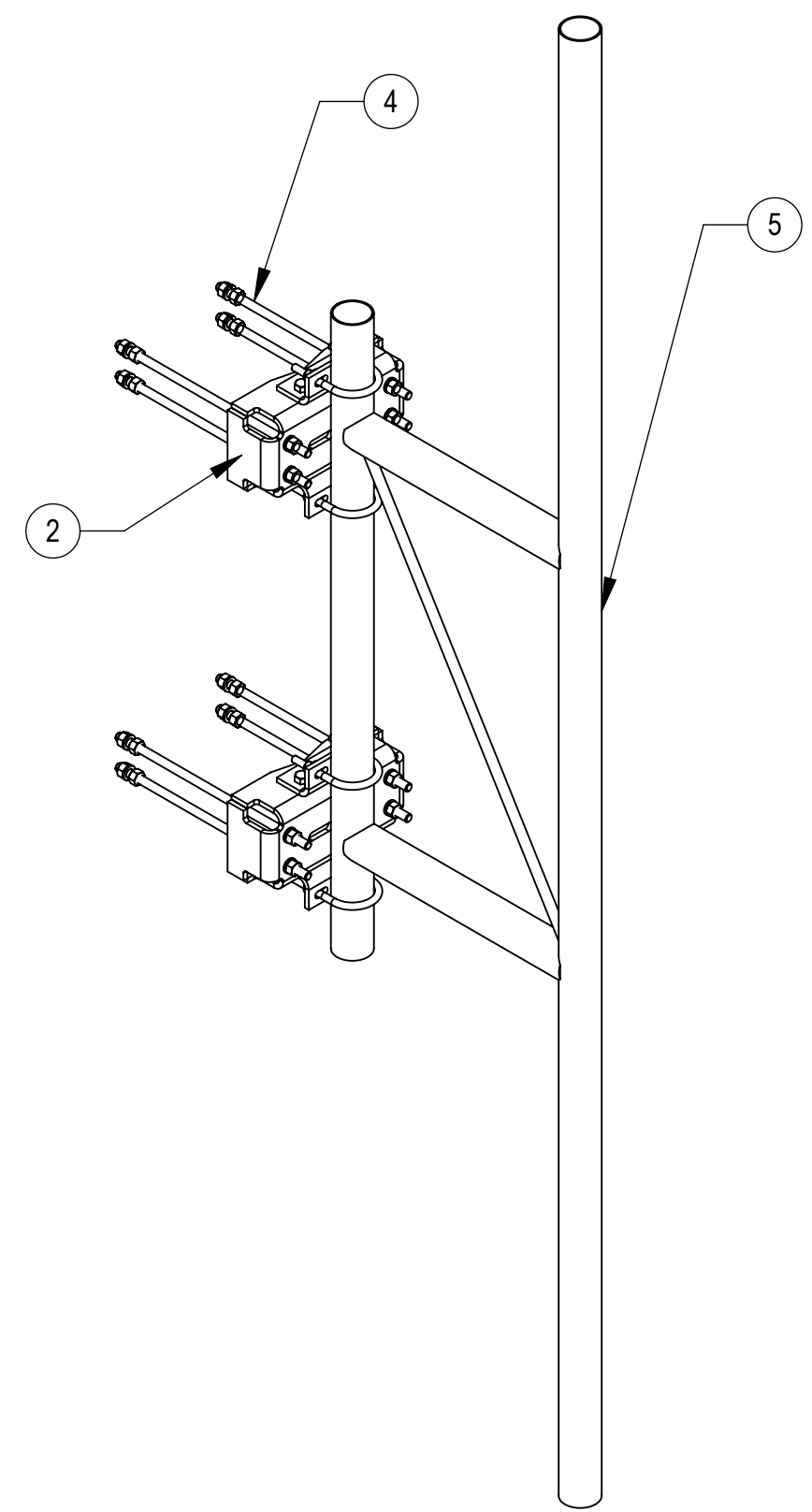
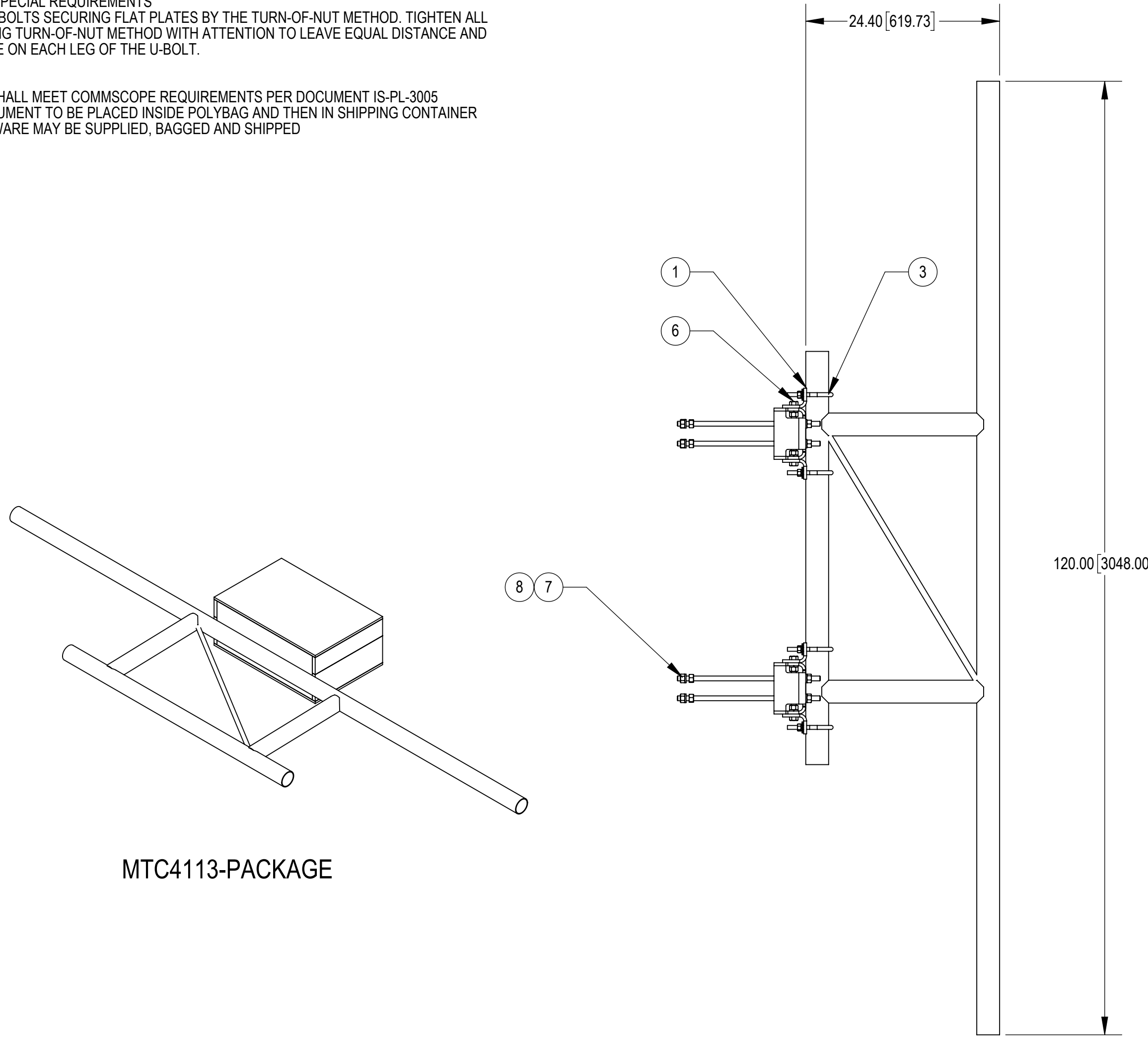


- 1.0 GENERAL NOTES
 - 1.1 ALL METRIC DIMENSIONS ARE IN BRACKETS [X.X]
 - 1.2 FOR PATENT INFO: <https://www.cs-pat.com>
- 2.0 DESIGN NOTES
 - 2.1 ANY HAZARDS OR OBSTRUCTIONS TO THE CLIMBING FACILITY AND SAFETY CLIMB MUST BE IDENTIFIED PRIOR TO INSTALLING THE APPURTENANCE. ADDITIONAL PRODUCTS MAY BE REQUIRED TO MAINTAIN THE INTEGRITY OF THE SAFETY CLIMB. DURING INSTALLATION, TEMPORARY AND/OR PERMANENT PRECAUTIONARY MEASURES SHOULD BE TAKEN TO PRESERVE THE CLIMBING FACILITY AND/OR SAFETY CLIMB.
- 3.0 MANUFACTURING/SPECIAL REQUIREMENTS
 - 3.1 TIGHTEN ALL BOLTS SECURING FLAT PLATES BY THE TURN-OF-NUT METHOD. TIGHTEN ALL U-BOLTS USING TURN-OF-NUT METHOD WITH ATTENTION TO LEAVE EQUAL DISTANCE AND EQUAL FORCE ON EACH LEG OF THE U-BOLT.
- 4.0 TEST
- 5.0 PACKAGING
 - 5.1 PACKAGING SHALL MEET COMMSCOPE REQUIREMENTS PER DOCUMENT IS-PL-3005
 - 5.2 PRINTED DOCUMENT TO BE PLACED INSIDE POLYBAG AND THEN IN SHIPPING CONTAINER
 - 5.3 EXTRA HARDWARE MAY BE SUPPLIED, BAGGED AND SHIPPED

REVISIONS			
REV.	DESCRIPTION	DATE	APPROVED
A	INITIAL RELEASE	JLA 11JUN20	TP 8000041149
B	REPLACED P-200 WITH P200HD, REPLACED U-BOLTS GUB-4240 WITH GUB-4352.	XZ1054 15MAR21	BCROSS 10537PC
C	SFG2289 (ITEM 2) WAS SFG2284 ,ADDED PACKAGE VIEW	LS1146 10NOV23	YZ1080 40182942CMO



MTC4113-PACKAGE

COMPONENT PART NUMBERS PROVIDED FOR ASSEMBLY PURPOSES; INDIVIDUAL COMPONENTS MAY BE SHIPPED AS PARTS WITHIN AN INCLUDED KIT.

ITEM	PART NO.	DESCRIPTION	QTY.	WEIGHT	NOTE NO.
1	MTC4111	G2 RRU BENT PLATE	4	2.86 LBS	
2	SFG2289	G2 RRU BACK CLAMP, HD	2	18.65 LBS	
3	GUB-4352	1/2" X 3" X 5-1/4" GALV U-BOLT	4	0.71 LBS	
4	MT-382-18	5/8" X 18" THREADED ROD	8	1.43 LBS	
5	P200HD	PANEL ANTENNA STANDOFF BRKT, 24", HD	1	66.47 LBS	
6	GB-05205	5/8" X 2" GALV BOLT KIT	8	0.26 LBS	
7	GN-05	5/8" GALV HEX NUT	24	0.08 LBS	
8	GWL-05	5/8" GALV LOCK WASHER	16	0.03 LBS	

DENSITY		lbs/in ³
MASS	135.66	lbs
VOLUME	479.96	in ³
SURFACE AREA	5433.64	in ²
HEIGHT	120.0"	
LENGTH	13.1"	
WIDTH	40.6"	

COMMSCOPE, INC. OF NORTH CAROLINA

TOLERANCES		SAP MATERIAL MASTER	
1 PLACE .X[.XX] ± 0.25[6.3]	3 PLACE .XXX[.XX] ± 0.06[1.5]	MTC4113	
2 PLACE .XX[.XX] ± 0.12[3.0]	ANGLES ± 2°		
FINISH		MATERIAL	
UNLESS OTHERWISE SPECIFIED DIMENSIONS ARE IN INCHES INTERPRET PER ANSI Y 14.5M-1994	NAME	DATE	TITLE
	CE JLA	06/11/20	G2 RRU KIT 2 - P200
	RW LS1146	11/20/2023	
	RV		
	AD YZ1080	11/20/2023	SCALE
RE YMENG	12/07/2023	1:12	MTC4113
ECN 40182942CMO			
SIZE	WORK AREA	INSL	MODEL
C			
VERSION	STATUS	REVISION	DRAWING
05	RE	C	VERSION STATUS REVISION
			05 RE C
			SHEET
			1 OF 2

4

3

2

1

D

D

C

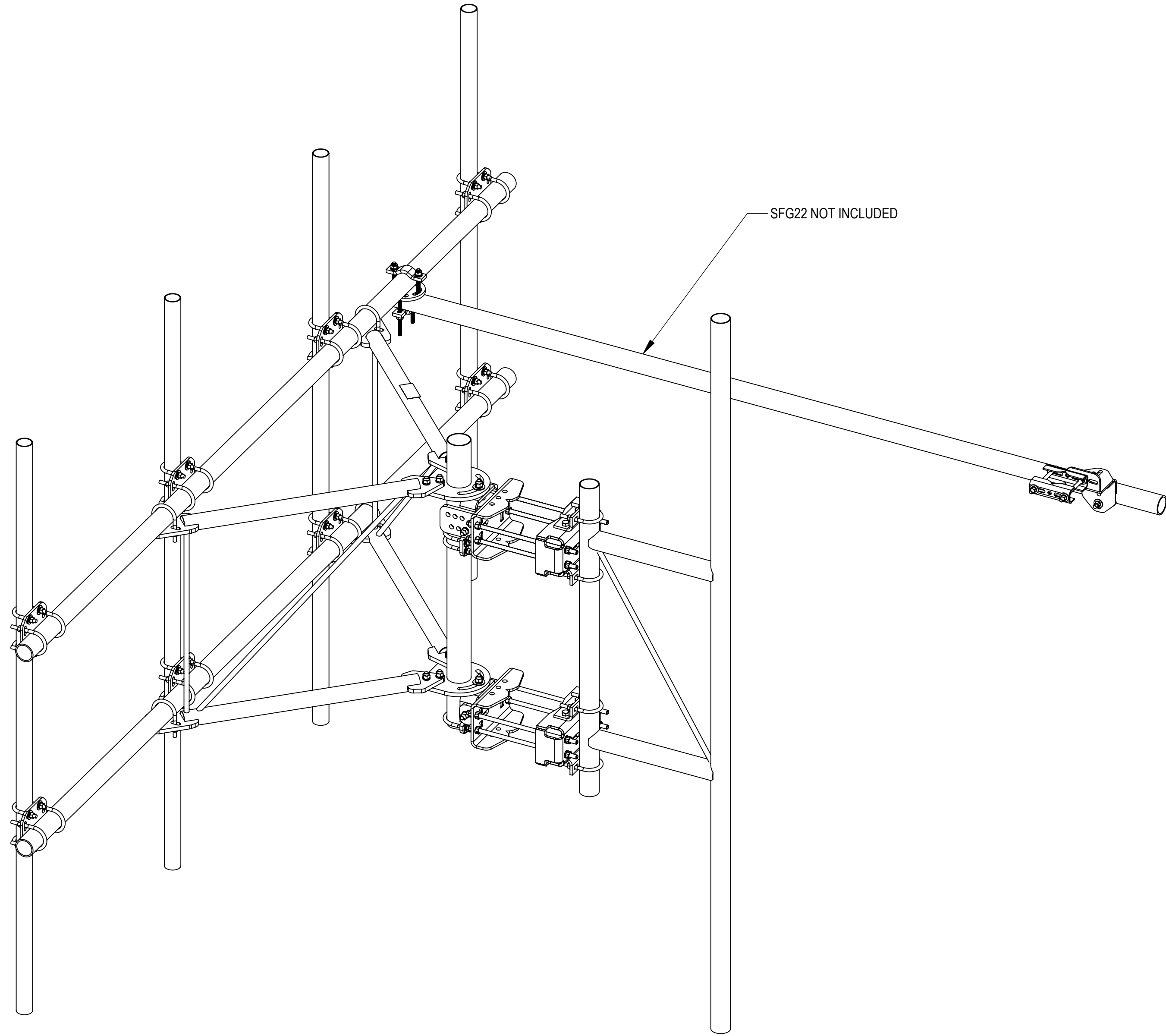
C

B

B

A

A



SFG22 NOT INCLUDED

DO NOT REUSE OLD HARDWARE, NEW HARDWARE PROVIDED

COMMSCOPE, INC. OF NORTH CAROLINA

TITLE	G2 RRU KIT 2 - P200		
-------	---------------------	--	--

SIZE	SCALE	DOCUMENT NO.	
C	1:12	MTC4113	

	DRAWING			SHEET
	VERSION	STATUS	REVISION	
	05	RE	C	

© 2023 CommScope, Inc. Confidential

4

3

2

1