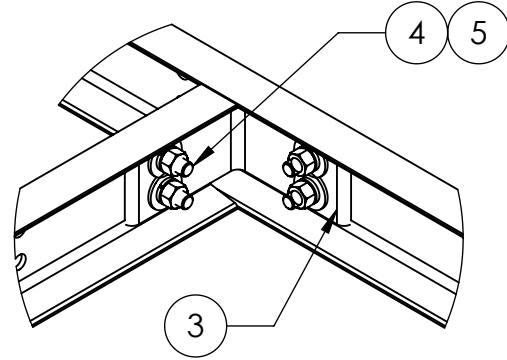
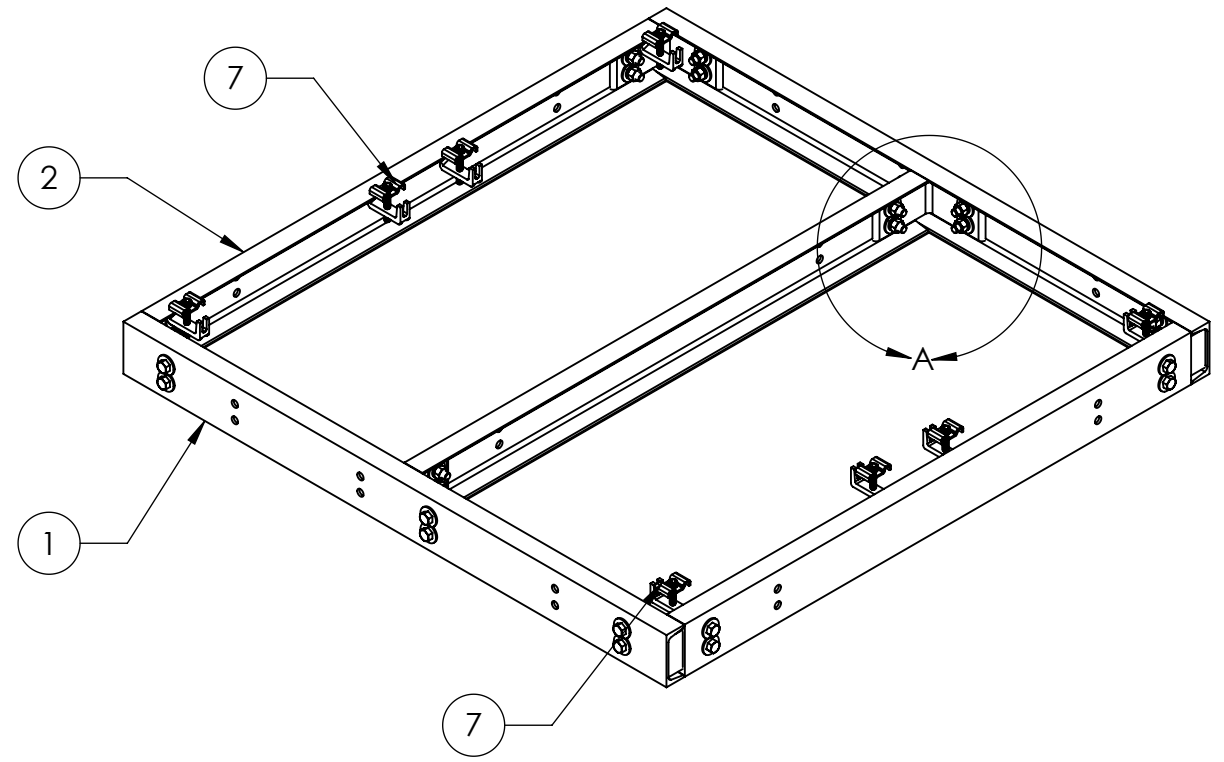
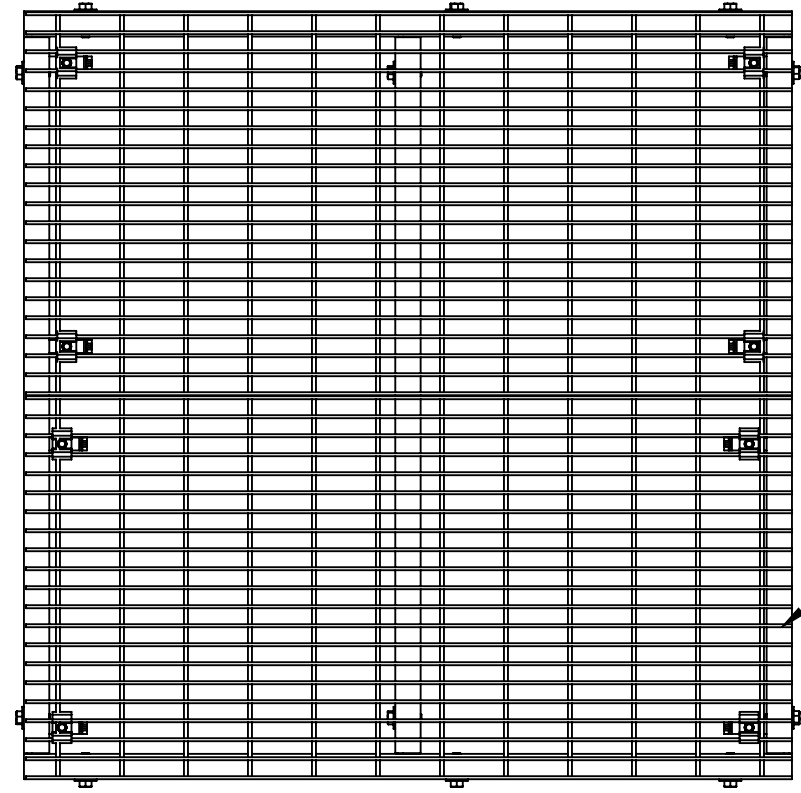
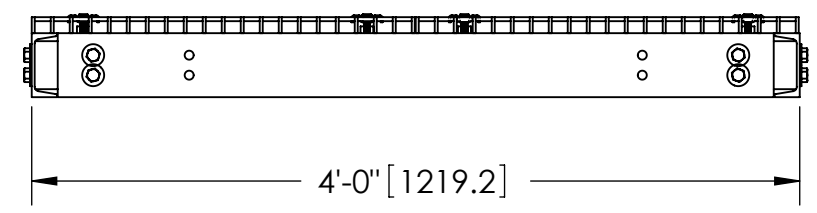
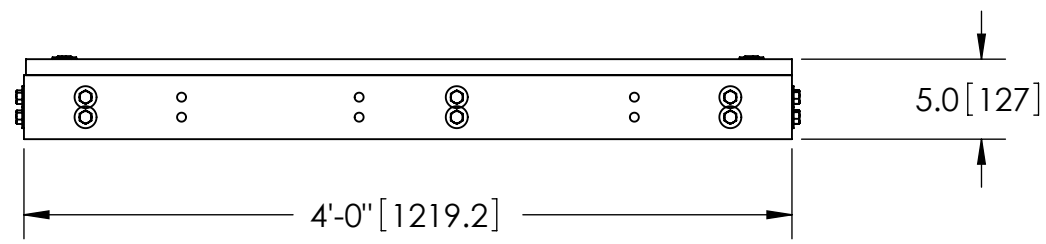


ITEM	PART NO.	DESCRIPTION	QTY.	WEIGHT
1	EQP4C040401	4' Side Channel	2	21.27 LBS
2	EQP4C040402	Center Channel 4' Platform	3	19.87 LBS
3	EQP4C01	4" Channel Platform Angle	6	2.37 LBS
4	GB-0416A	1/2" X 1-3/4" GALV BOLT KIT (A325)	24	0.14 LBS
5	GWF-04	1/2" GALV FLAT WASHER	48	0.04 LBS
6	MTC910205	24" X 48" GRATING	2	56.95 LBS
7	GCM03	GRATING CLIP	8	0.44 LBS

REVISIONS				
REV.	ECN	DESCRIPTION	BY	DATE
A		INITIAL RELEASE	MSM	09/23/10
B	11889	REPLACED GB-04165 WITH GB-0416A	YMENG	07/22/2021



DETAIL A
SCALE 1 : 6



NOTES:
 1. ALL METRIC DIMENSIONS ARE IN BRACKETS.
 2. GRATING REMOVED FOR CLARITY.

<small>These drawings and specifications are the proprietary property of ANDREW CORPORATION and may be used only for the specific purpose authorized in writing by Andrew Corporation.</small> ALL DIMENSIONS ARE IN INCHES U.O.S. TOLERANCES UNLESS OTHERWISE SPECIFIED: .X = ± .12 ANGLES ±2° .XX = ± .06 FRACTIONS ±1/32 .XXX = ± .03 REMOVE BURRS AND BREAK EDGES .005 DO NOT SCALE THIS PRINT	DRAWN BY: MSM	SHEET: 1 of 1	PART NUMBER: EQ-P4C0404-B
	CHECKED BY: TP	SCALE: NTS	DESCRIPTION: 4' X 4' PLATFORM BASE
	DATE: 09/23/10	MATERIAL: A36, A568	DRAWING TYPE: ASSEMBLY DRAWING
	REVISION: B	FINISH: GALV A123	WEIGHT: 240.43 LBS