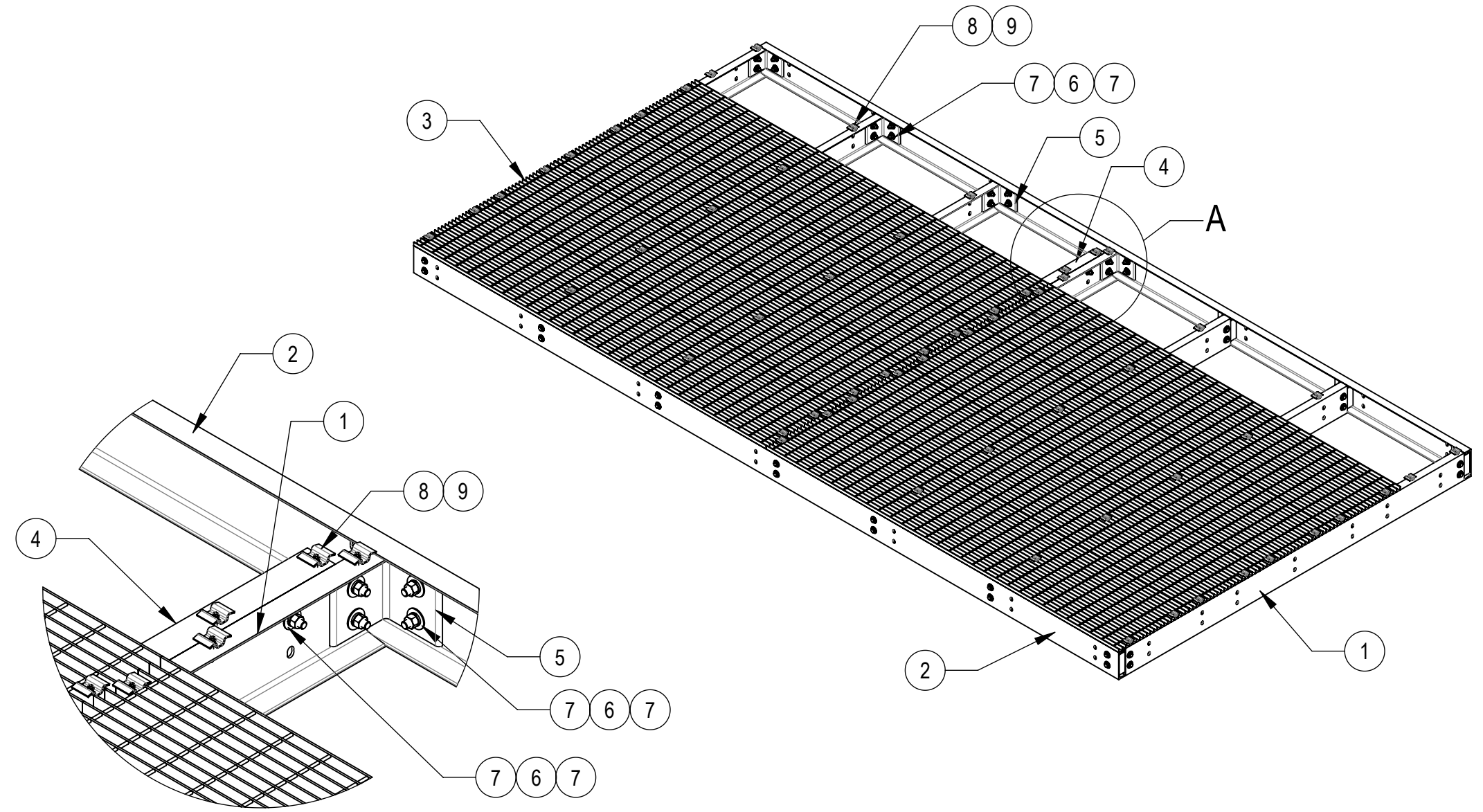
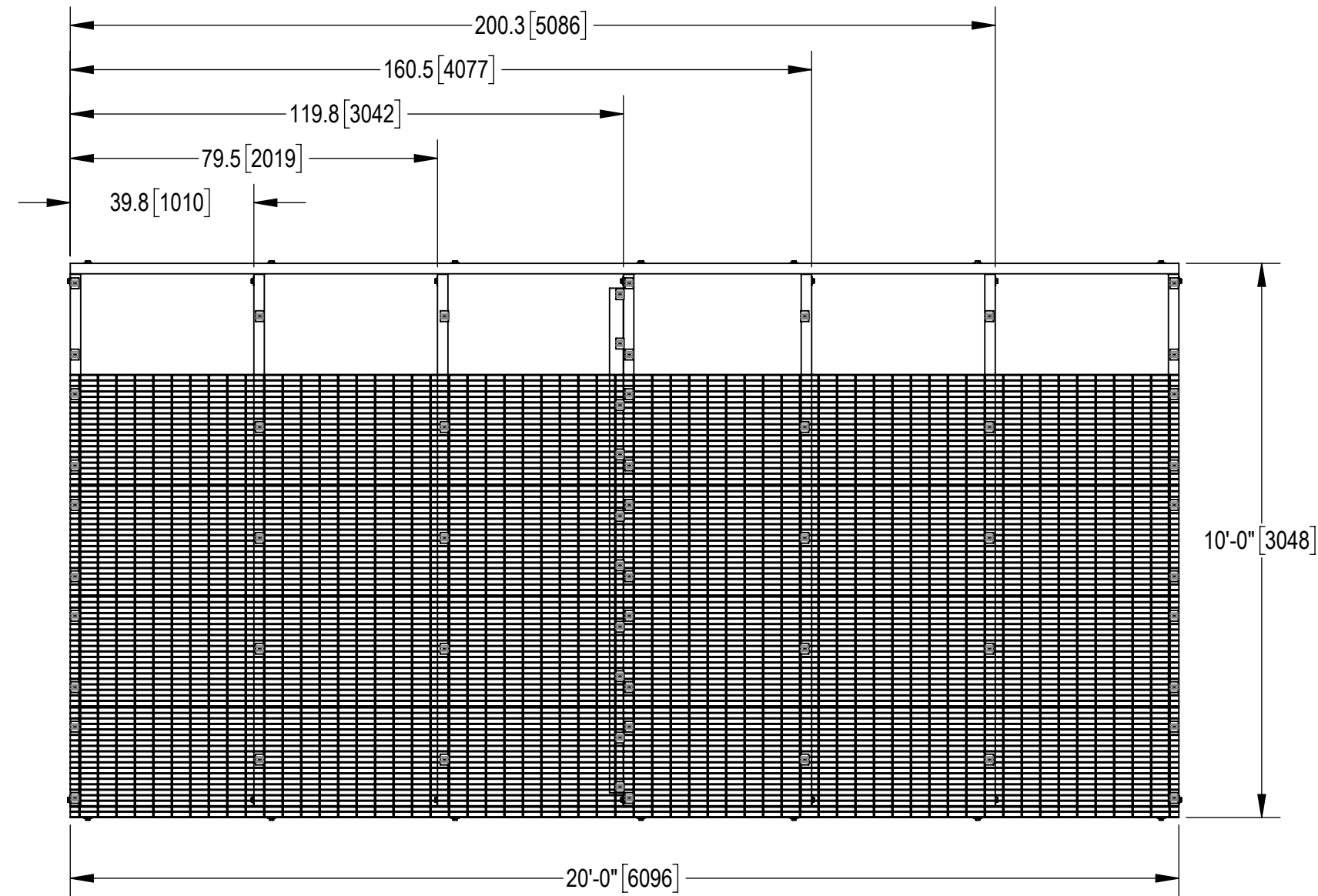
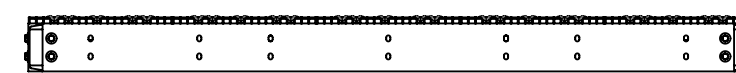
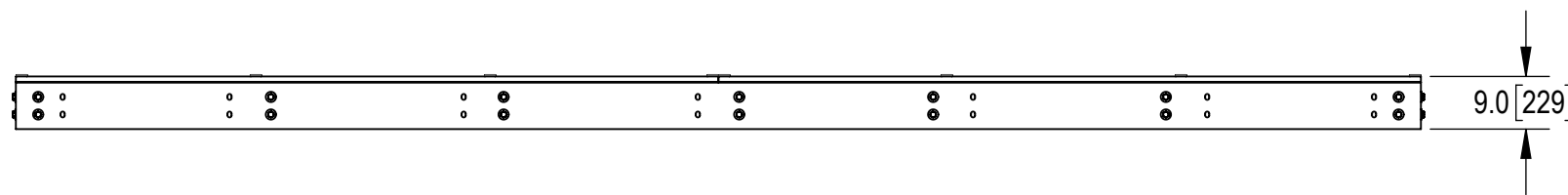


- 1.0 GENERAL NOTES
 1.1 ALL METRIC DIMENSIONS ARE IN BRACKETS [X.X]
 1.2 FOR PATENT INFO: <https://www.cs-pat.com>
 2.0 DESIGN NOTES
 3.0 MANUFACTURING/SPECIAL REQUIREMENTS
 3.1 TIGHTEN ALL BOLTS SECURING FLAT PLATES BY THE TURN-OF-NUT METHOD. TIGHTEN ALL U-BOLTS USING TURN-OF-NUT METHOD WITH ATTENTION TO LEAVE EQUAL DISTANCE AND EQUAL FORCE ON EACH LEG OF THE U-BOLT.
 3.2 BAR GRATING ALIGNED ACROSS CENTER CHANNELS.
 4.0 TEST
 5.0 PACKAGING
 5.1 PACKAGING SHALL MEET COMMSCOPE REQUIREMENTS PER DOCUMENT IS-PL-3005
 5.2 PRINTED DOCUMENT TO BE PLACED INSIDE POLYBAG AND THEN IN SHIPPING CONTAINER
 5.3 EXTRA HARDWARE MAY BE SUPPLIED, BAGGED AND SHIPPED

REVISIONS			
REV.	DESCRIPTION	DATE	APPROVED
A	INITIAL RELEASE	ACG 13FEB03	TP
G	REPLACE SQUARE WASHERS WITH FLAT WASHERS	AW 21JUN07	TP
H	ADD PLAN VIEWS UPDATE WEIGHTS	MSM 05APR12	TP
J	SAP MIGRATION CLEAN UP	MRC 21FEB19	MC1107
K	MTC390324 AND TS1220 WAS GCM03	LL1090 11MAR24	BCROSS 40190172CMO



DETAIL A
SCALE 1 : 10



COMPONENT PART NUMBERS PROVIDED FOR ASSEMBLY PURPOSES;
 INDIVIDUAL COMPONENTS MAY BE SHIPPED AS PARTS WITHIN AN INCLUDED KIT.

ITEM	PART NO.	DESCRIPTION	QTY.	WEIGHT	NOTE NO.
1	MTC7902101002	10' CENTER CHANNEL	7	108.98 LBS	
2	MTC7902102001	20' SIDE CHANNEL	2	227.29 LBS	
3	MTC7902081001	24" X 120" BAR GRATING	10	141.45 LBS	
4	MTC790214	GRATING SECTION BRACKET	1	51.89 LBS	
5	MTC790203	CHANNEL ADAPTER ANGLE	14	7.07 LBS	
6	GB-05205	5/8" X 2" GALV BOLT KIT	60	0.26 LBS	
7	GWF-05	5/8" GALV FLAT WASHER, 1.7OD	120	0.06 LBS	
8	MTC390324	BAR GRATING CLIP	60	0.17 LBS	
9	TS1220	12-24 X 2" SELF DRILLING SCREW	60	0.03 LBS	

DENSITY	2823.46	lbs/in ³
MASS	2823.46	lbs
VOLUME	10019.64	in ³
SURFACE AREA	101410.43	in ²
HEIGHT	9.0"	
LENGTH	240.0"	
WIDTH	120.0"	

HIDE BAR GRATING FOR CLARITY

COMMSCOPE, INC. OF NORTH CAROLINA

TOLERANCES
 0 PLACE X[X] ± .25[6.3] 2 PLACE .XX[X] ± 0.06[1.5]
 1 PLACE .X[X] ± 0.12[3.0] ANGLES ± 2°

SAP MATERIAL MASTER
 EQ-P1020-B

FINISH: _____ MATERIAL: _____

NAME	DATE	TITLE
CE ACG	13FEB03	10' X 20' EQUIPMENT PLATFORM BASE
RW LL1090	03/15/2024	
AD YW1045	03/18/2024	
RE YMENG	04/02/2024	

SCALE: 1:24 DOCUMENT NO.: EQ-P1020-B

ECN 40190172CMO

SIZE	Auth Group	INSL	MODEL	DRAWING			SHEET			
C				VERSION	STATUS	REVISION	VERSION	STATUS	REVISION	1 OF 1
				02	RE	K	02	RE	K	